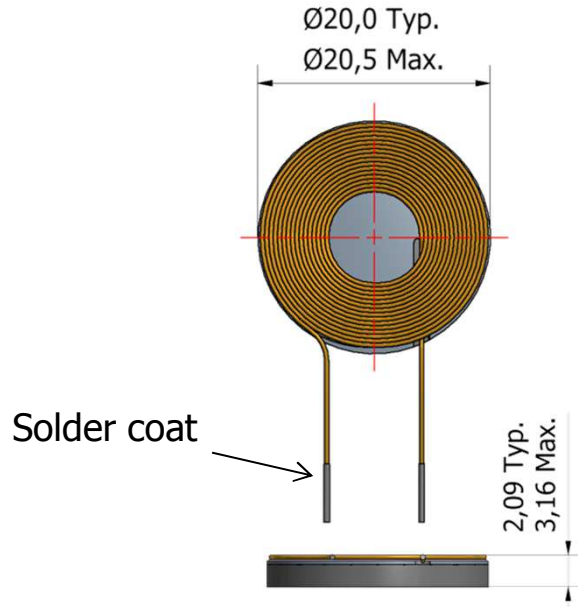
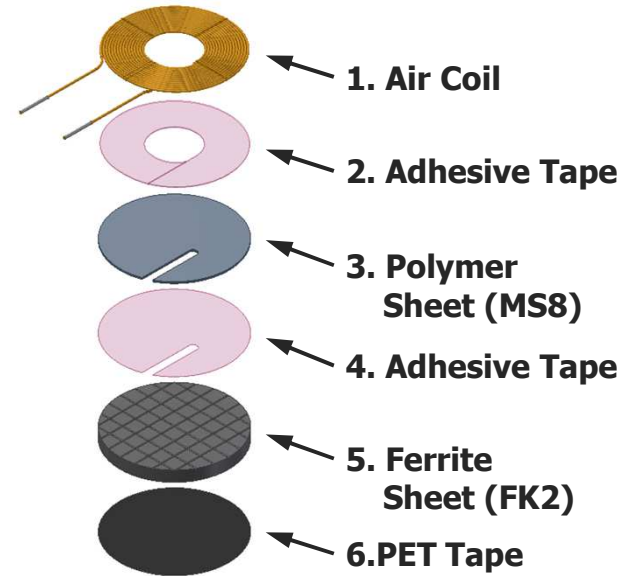


= Dimension of coil unit =



= Coil unit Assembly=



= Thickness information for stacking =

Unit : mm

Stack	Coil Unit	Typ	Max.
1	Coil+Resin	0.400	0.420
2	Adhesive Tape	0.135	0.142
3	Polymer Sheet (MS8)	0.300	0.330
2	Adhesive Tape	0.030	0.032
4	Ferrite Sheet (FK2)	2.000	2.200
5	PET Tape	0.030	0.032
Total Thickness		2.90	3.16

= Electrical Characteristics =

Items	Parameter	Specification
1	Inductance	6.2µH typ.
2	Rs value	0.19 Ω typ.