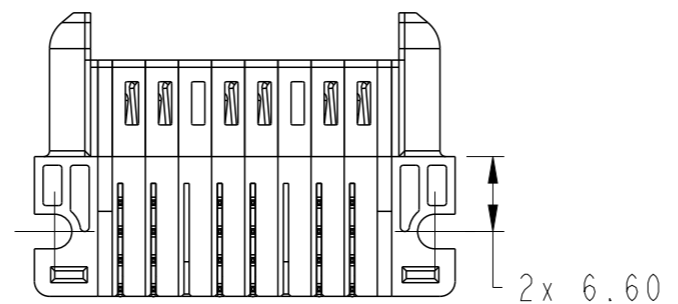
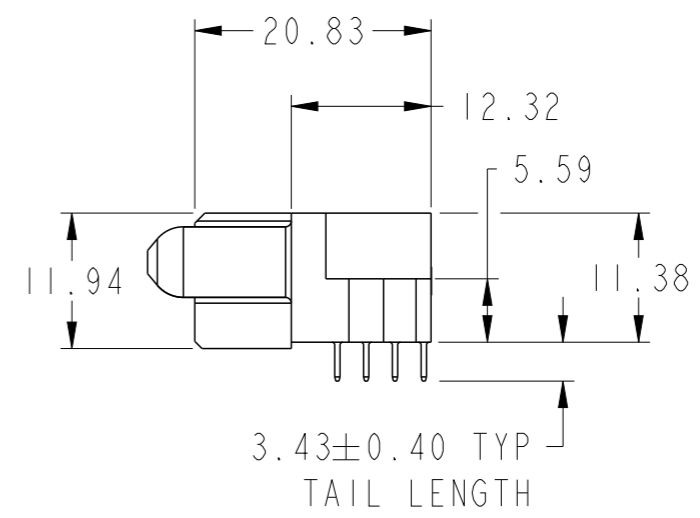
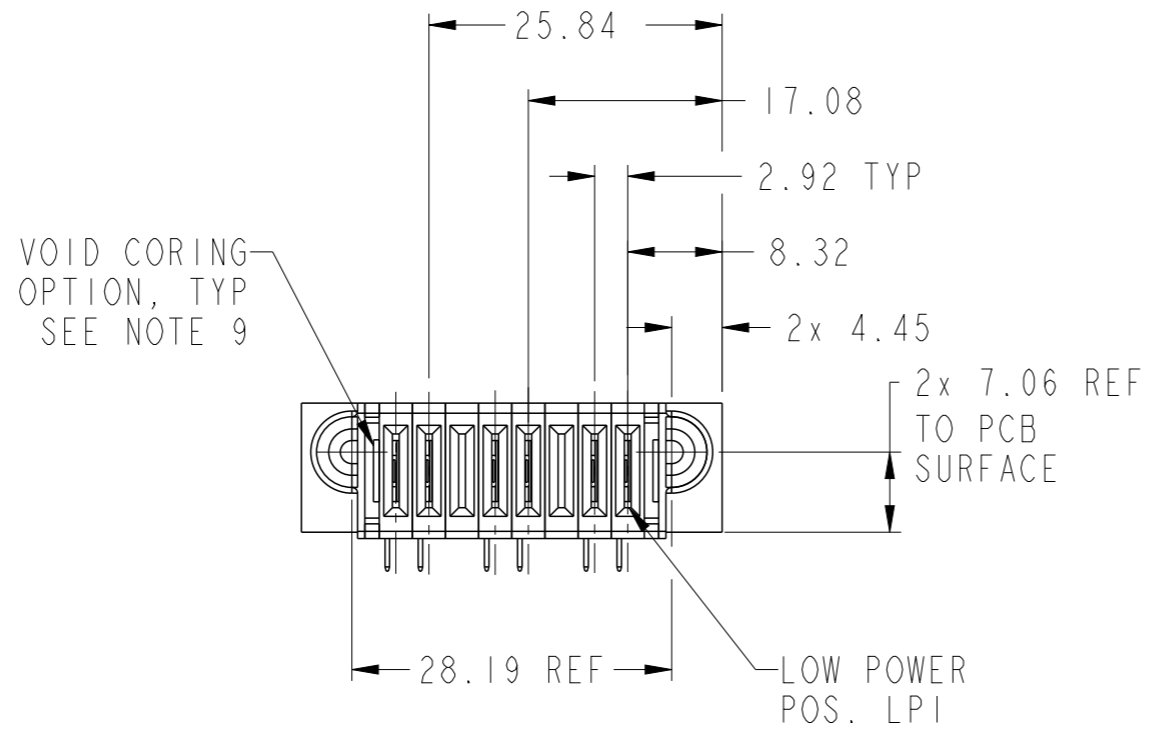
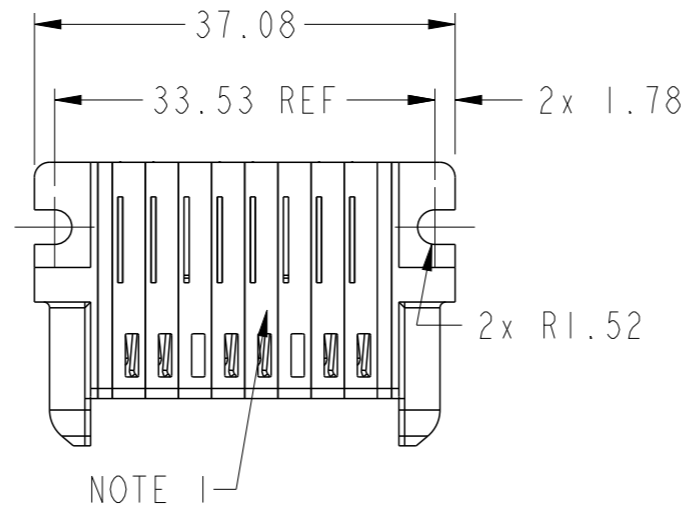


PRODUCT NUMBER SEE SHEET 2

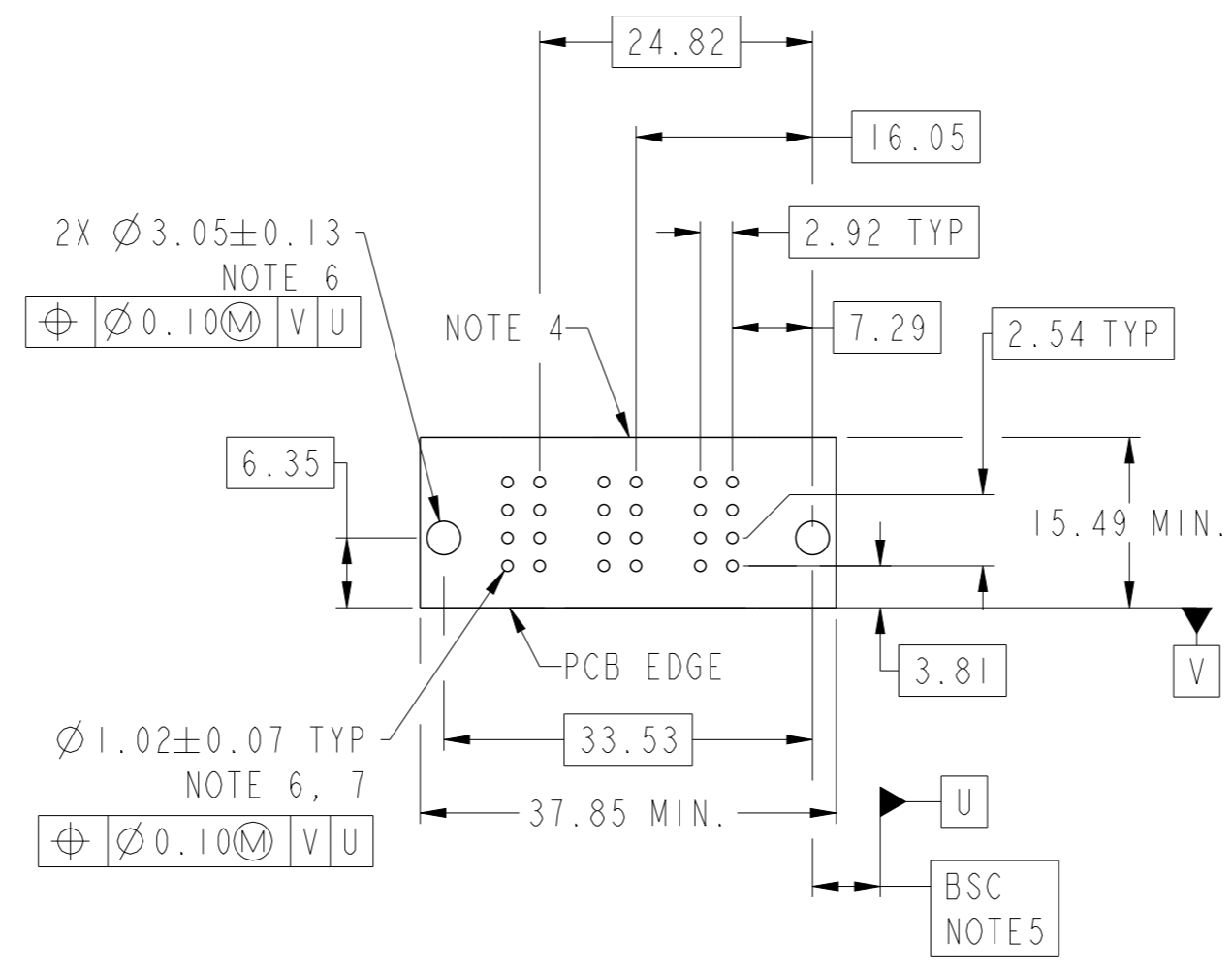


Copyright FCI. FCI

spec ref	*	dr	Rainbow Zhan	2015/01/22	projection	MM	size	A3	scale	3:2										
tolerance std	ASME Y14.5	eng	Rainbow Zhan	2015/01/28			ecn no	-	rel level	Released										
TOLERANCES UNLESS OTHERWISE SPECIFIED		chr	-	-																
surface	<table border="1"> <tr> <td>linear</td> <td>0.X</td> <td>±0.5</td> </tr> <tr> <td></td> <td>0.XX</td> <td>±0.25</td> </tr> <tr> <td></td> <td>0.XXX</td> <td>±0.10</td> </tr> <tr> <td>angular</td> <td>0°</td> <td>±2°</td> </tr> </table>	linear	0.X	±0.5		0.XX	±0.25		0.XXX	±0.10	angular	0°	±2°	appr	Pei-Ming Zheng	2015/01/28	product family	PwrBlade+	rel level	Released
linear	0.X	±0.5																		
	0.XX	±0.25																		
	0.XXX	±0.10																		
angular	0°	±2°																		
ASME Y14.5		www.fci.com	cat. no.	6LP RA STB RECEPTACLE	dwg no	10106264-0600002	rev	A												
			Product - Customer Drw			sheet 1 of 3														

PRODUCT NO.	ROWS	LOW POWER						E2
		E1	LP6	LP5	LP4	LP3	LP2	
10106264-0600002LF	DCBA							

CODE	DESCRIPTION
LR	STD LOW POWER CONTACT(3.43)



Copyright FCI.

dr	Rainbow Zhan	2015/01/22	projection	MM	size	A3	scale	3:2
eng	Rainbow Zhan	2015/01/28		← →	ecn no	-		
chr	-	-			product family	PwrBlade+	rel level	Released
appr	Pei-Ming Zheng	2015/01/28	www.fci.com		cat. no.	Product - Customer Drw	sheet 2 of 3	
		title 6LP RA STB RECEPTACLE		dwg no 10106264-0600002		rev A		

NOTES:

- 1) "FCI", PART NUMBER AND DATE CODE TO BE MARKED ON THIS SURFACE.
THE MARK CAN BE OMITTED IF THERE IS NOT ENOUGH SPACE ON THIS SURFACE.
- 2) MATERIALS:
-HOUSING - GLASS FILLED WITH HIGH TEMP THERMOPLASTIC, UL94V-0.
-SIGNAL CONTACT - COPPER ALLOY.
-POWER CONTACT - HIGH CONDUCTIVITY COPPER ALLOY.
- 3) PLATING SPECIFICATION REFER TO FCI 10116351
- 4) DENOTES CONNECTOR KEEP OUT ZONE.
- 5) DATUM AND BASIC DIMENIONS WERE ESTABLISHED BY CUSTOMER.
- 6) ALL HOLE DIAMETERS ARE FINISHED HOLE SIZES.
- 7) 1.15 ± 0.025 MM DRILLED HOLE PLATED WITH 0.00762MM MIN Sn
OVER 0.0254-0.0762MM Cu PLATING TO ACHIEVE A 1.02 ± 0.07 MM HOLE.
- 8) PRODUCT SPECIFICATION REFER TO FCI GS-12-658.
APPLICATION SPECIFICATION REFER TO FCI GS-20-141.
PRODUCT PACKAGED IN TRAYS, REFER TO FCI GS-14-1502.
- 9) THE VOID CORING IN BETWEEN POWER MODULES, SIGNAL
MODULES AND END MODULES ARE OPTIONAL AND THE SHAPE
MAY BE DIFFERENT FOR OPTIMIZE THE MOLDING PROCESS. THE
VOID CORING WILL NOT EFFECT TO PRODUCT FUNCTION.



Copyright FCI.

dr	Rainbow Zhan	2015/01/22	projection 	MM 	size	A3	scale	3:2	
eng	Rainbow Zhan	2015/01/28			ecn no	-			
chr	-	-			rel level	Released			
appr	Pei-Ming Zheng	2015/01/28	product family	PwrBlade+					
		title	6LP RA STB RECEPTACLE		dwg no	10106264-0600002		rev	A
www.fci.com		cat. no.	Product - Customer Drw		sheet 3 of 3				