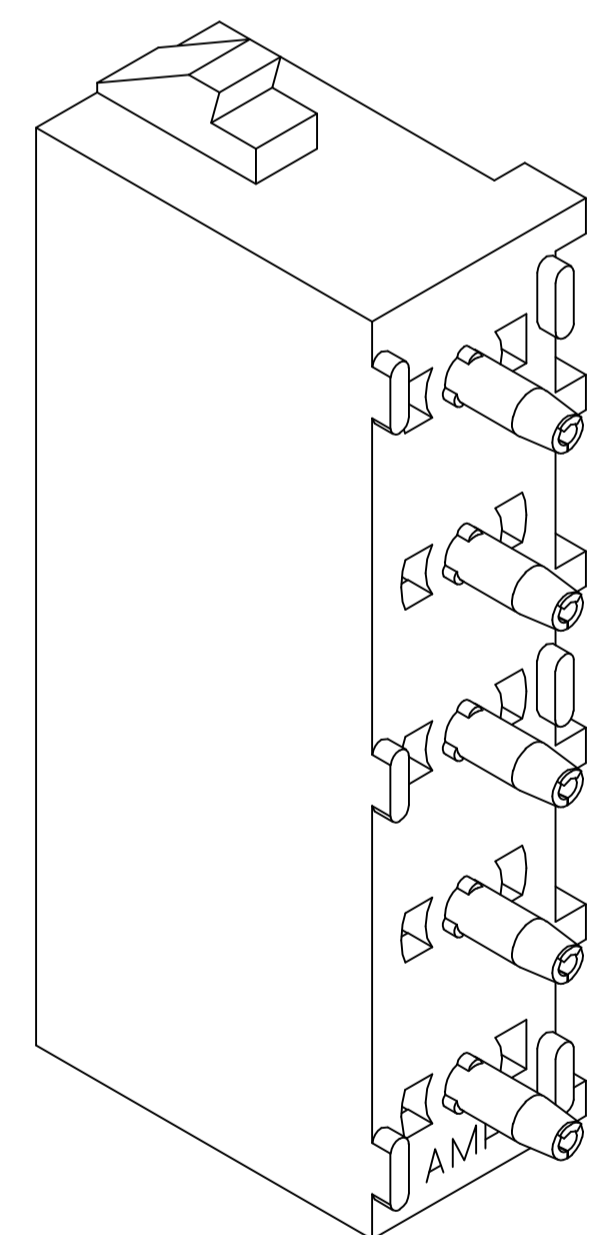
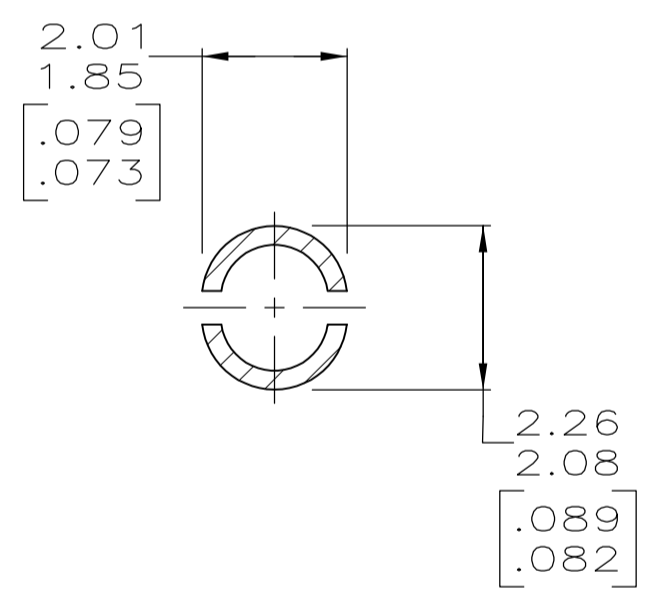
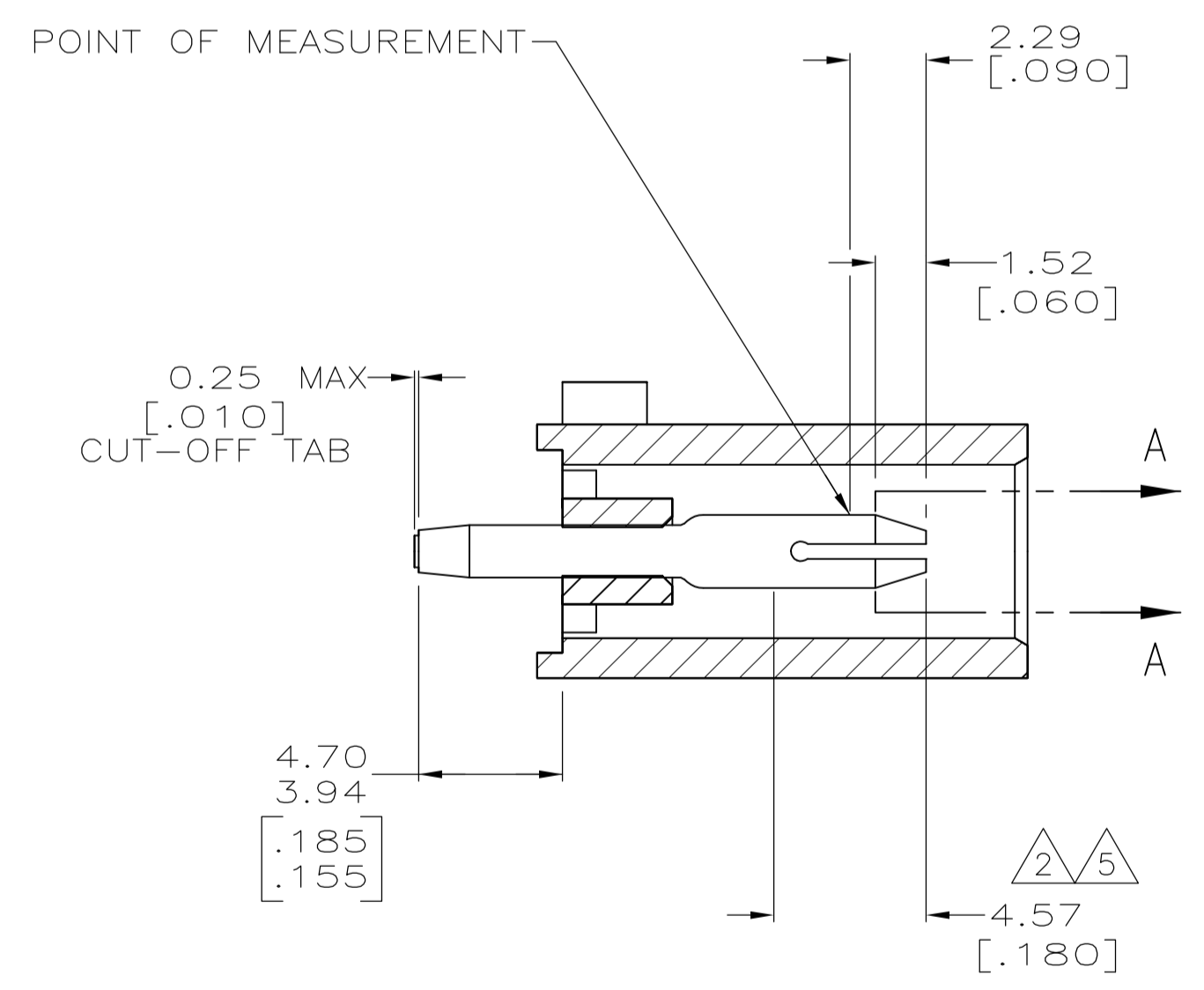
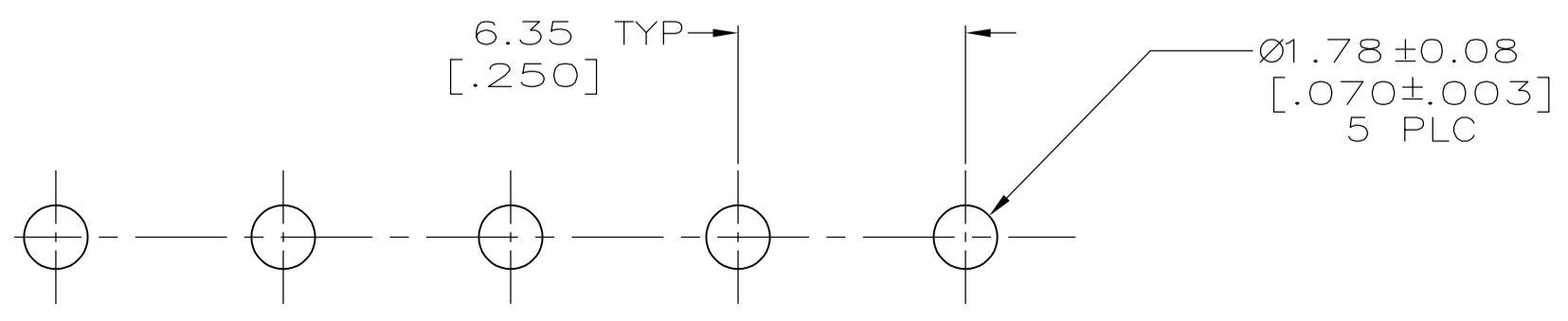


- 1 PARTS COMPLY TO AMP SOLDERABILITY SPECIFICATION 109-11-3.
- 2 CONTACT IS PLATED OVERALL WITH 0.00127 [.000050] NICKEL, THEN 0.00076 [.000030] GOLD OVER CONTACT LENGTH INDICATED AND MATTE TIN LEAD ON SOLDER TAIL END.
- 3 CIRCUIT IDENTIFICATION CHARACTERS ARE ADJACENT TO THE INDICATED CAVITIES, BUT LOCATION AND ORIENTATION MAY DIFFER FROM PRINT.
- 4 DIMENSIONS IN BRACKETS ARE IN INCHES.
- 5 CONTACT IS PLATED OVERALL WITH 0.00127 [.000050] NICKEL, THEN 0.00076 [.000030] GOLD OVER CONTACT LENGTH INDICATED AND MATTE TIN ON SOLDER TAIL END.
- 6 SUPERSEDED BY 640466-3



3-DIMENSIONAL MODEL NTS



RECOMMENDED MOUNTING HOLE PATTERN FOR 1.57 [.062] THICK P.C. BOARD

PHOSPHOR BRONZE, GOLD	NYLON,UL94V-2,NATURAL	640466-3
PHOSPHOR BRONZE, GOLD	NYLON,UL94V-2,NATURAL	640466-2
PHOSPHOR BRONZE, PRE-TIN	NYLON,UL94V-2,NATURAL	640466-1
PIN CONTACT MATERIAL AND FINISH	HOUSING MATERIAL	PART NUMBER

THIS DRAWING IS A CONTROLLED DOCUMENT.		DIN 9139	10-05-98	 TE Connectivity
DIMENSIONS: mm [INCHES]		CSK	10-05-98	
TOLERANCES UNLESS OTHERWISE SPECIFIED:		RS	10-05-98	NAME: PIN HEADER ASSEMBLY, 5 CIRCUIT UNIVERSAL MATE-N-LOK™ PRODUCT SPEC: APPLICATION SPEC
0 PLC ± -		MT	10-05-98	
1 PLC ± -		TR	10-05-98	SIZE: A1
2 PLC ± 0.13 [.005]		SW	10-05-98	CAGE CODE: 640466
3 PLC ± -		TR	10-05-98	RESTRICTED TO: -
4 PLC ± -		TR	10-05-98	WEIGHT: -
ANGLES ± 0°30'		TR	10-05-98	CUSTOMER DRAWING
MATERIAL: SEE TABLE		FINISH: SEE TABLE		SCALE: 5:1
				SHEET: 1 OF 1
				REV: M1