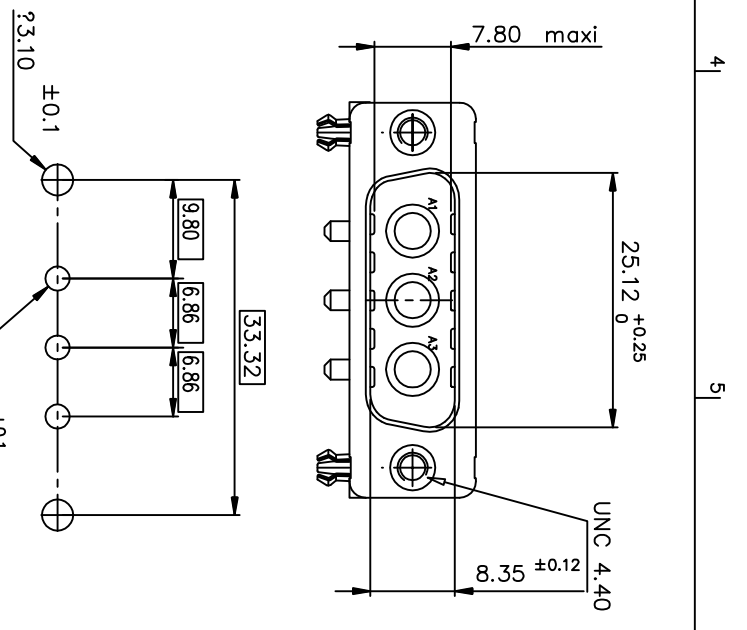
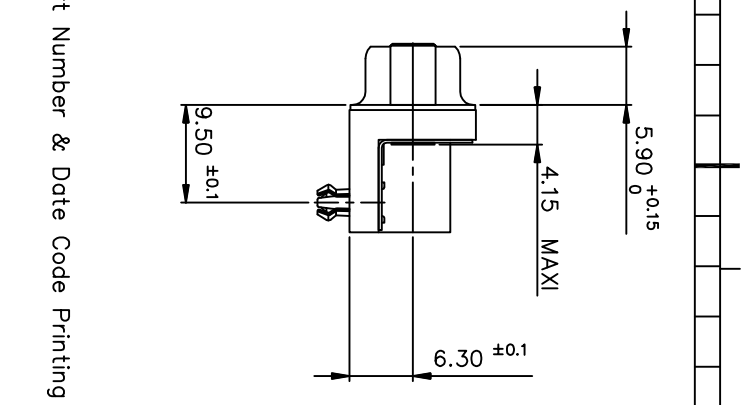
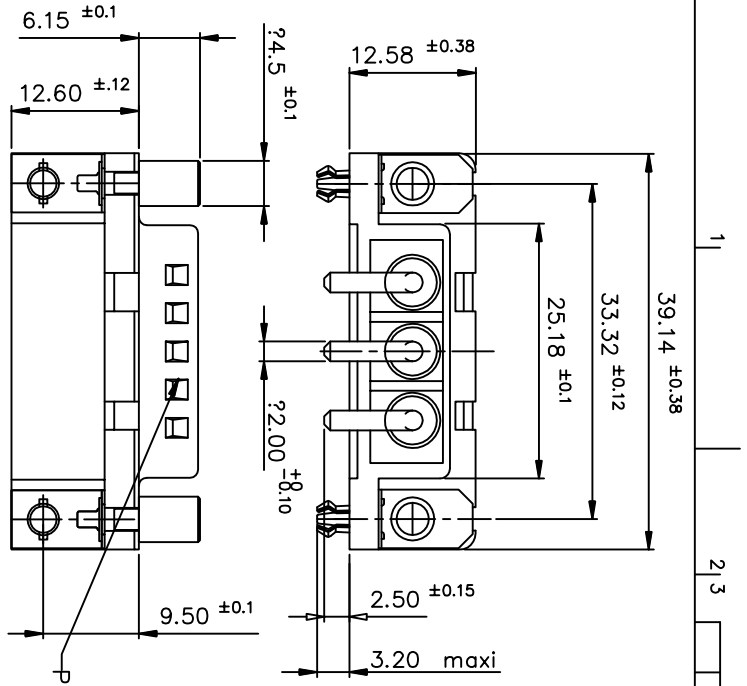




FCIconnect.com

Copyright FCI



REQUIREMENTS

Technical characteristics:

Shell: steel tin plated
 Insulators: self-extinguishing thermoplastic, ULclass94V0
 Contacts: brass, 0.76» Au +2» Ni mini on mating end
 and 2» SnPb +1.27 Ni mini on termination end
 Grounding brackets: brass, tin plated
 Female screwlock: brass, tin plated
 Harpoon: brass, tin plated

Electrical characteristics:

max. current rating: 30A per contact
 Test voltage: 1000V
 Rated voltage: 300V
 Contact resistance: ?5m?
 Shell resistance: ?5m?
 Insulation resistance: ?5000M?
Climatic characteristics:
 Operating temperature range: -55?c +125?c
Dimensions:
 in accordance with MIL-C-24308

Part Number & Date Code Printing

PC card drilling dimensions

(thickness 1.60mm)

D3W3P36AGV08**
 LF FOR LEAD FREE

FOR ROHS DETAILS REFER DWG.NO: C01-8646-0000

mat'l. code		surface		tolerance		projection		product family	
lfr	ecn no	dr	date	ISO 1302	ISO 406 ISO 1101	ISO 1101	MM	D-SUB	
E	106-0124	JS	2005-07-27			0.x±0.1			
F	106-0074	SK	2006-06-08			0.xxx±0.1			
		O.x±.1				0.xxx±0.1			
		dr JOHN SLEEBA 1994-07-06				scale -			
		enpr GEORGE VJ 1994-07-06							
		chr GEORGE VJ 2005-07-27							
		dppd KVSJ 2005-07-27							
sheet	revision	F							
index	sheet	1							
		FCI							
		type Product Customer Drawing							
		dwg no C01-8646-0246							
		sheet 1 of 1							
		size A3							

1 2 3 4 5 6