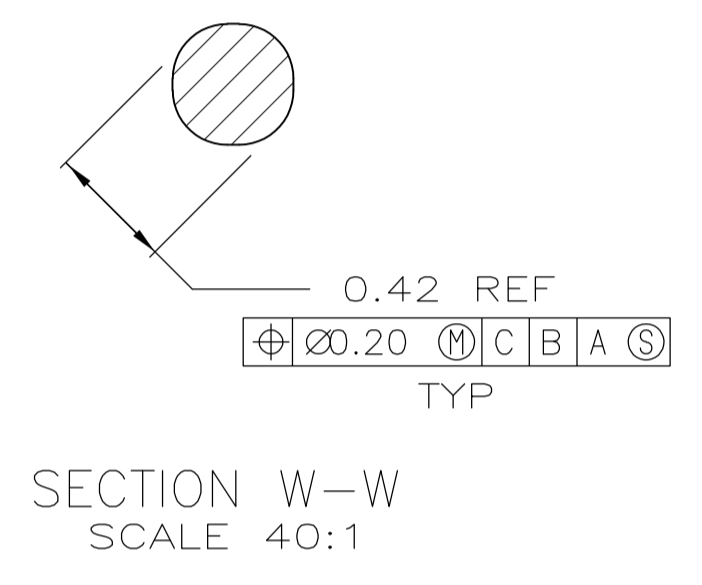
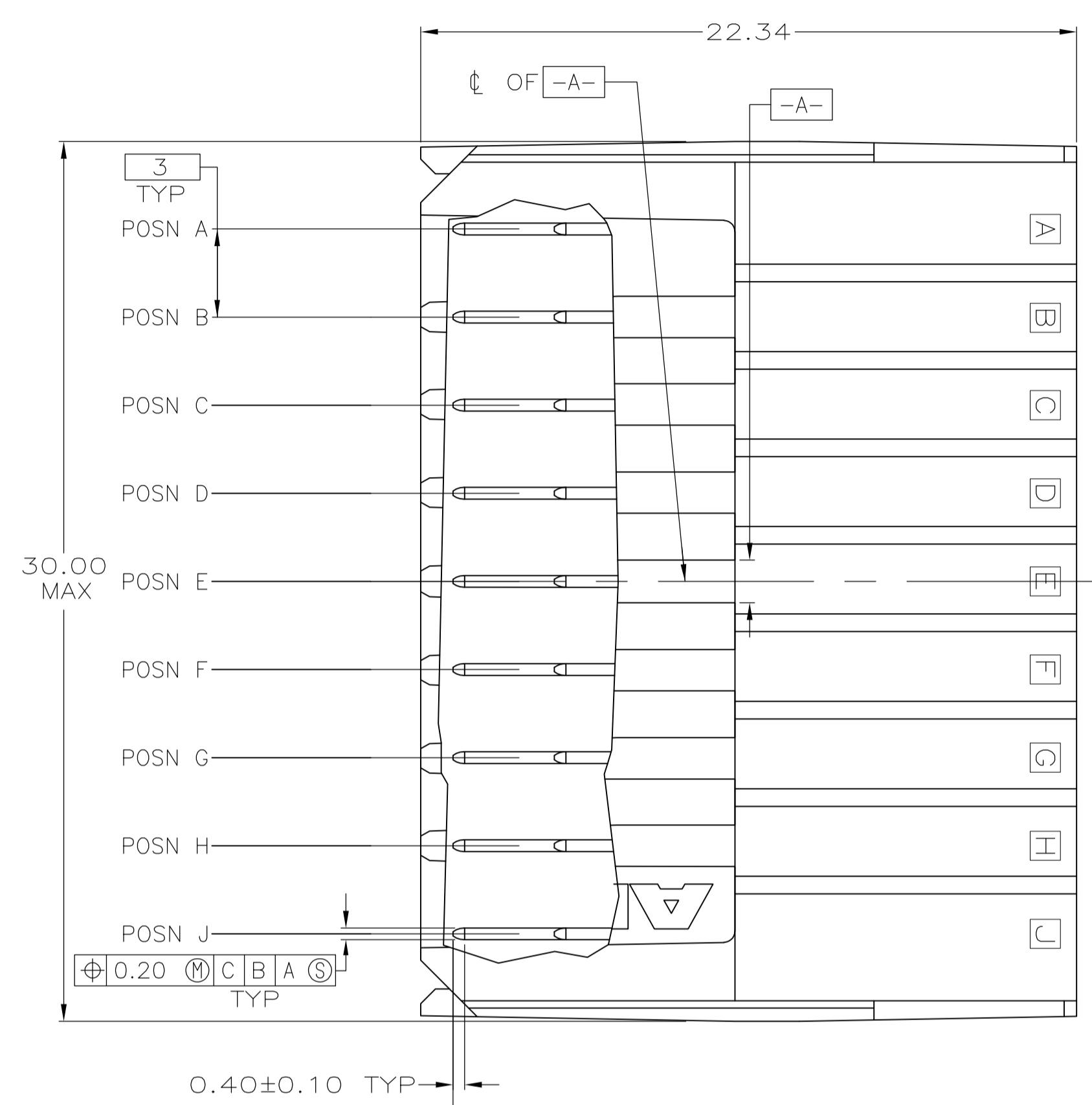
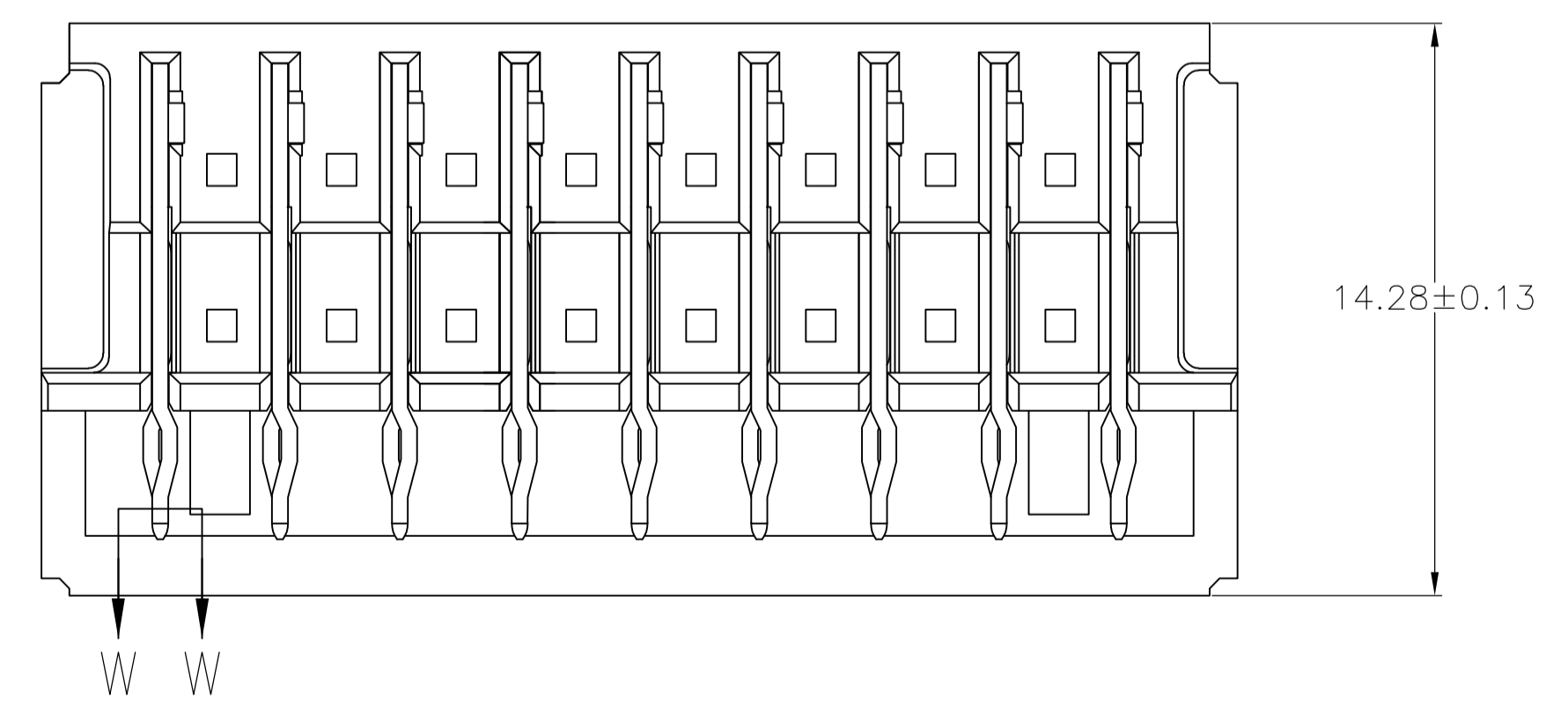
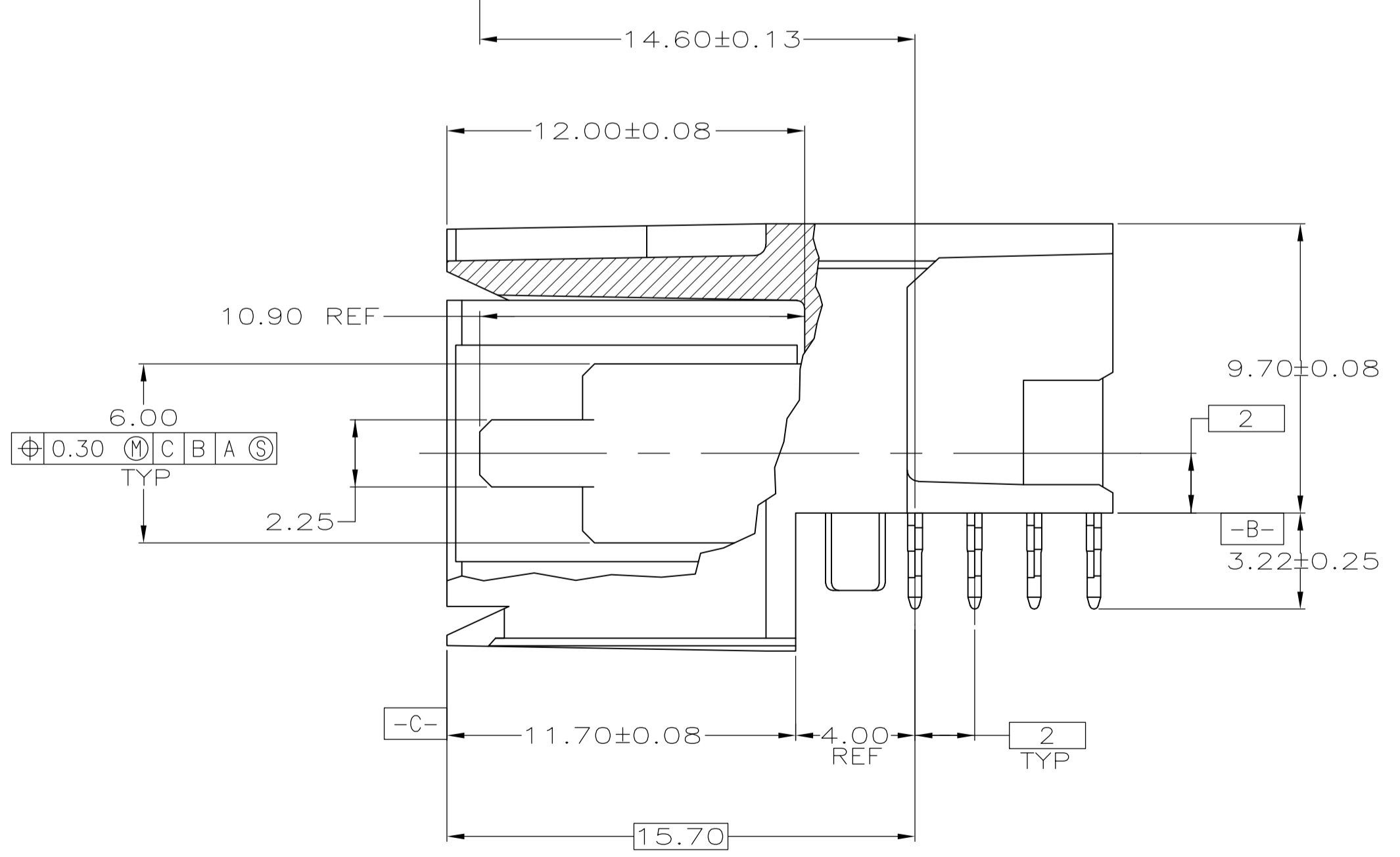
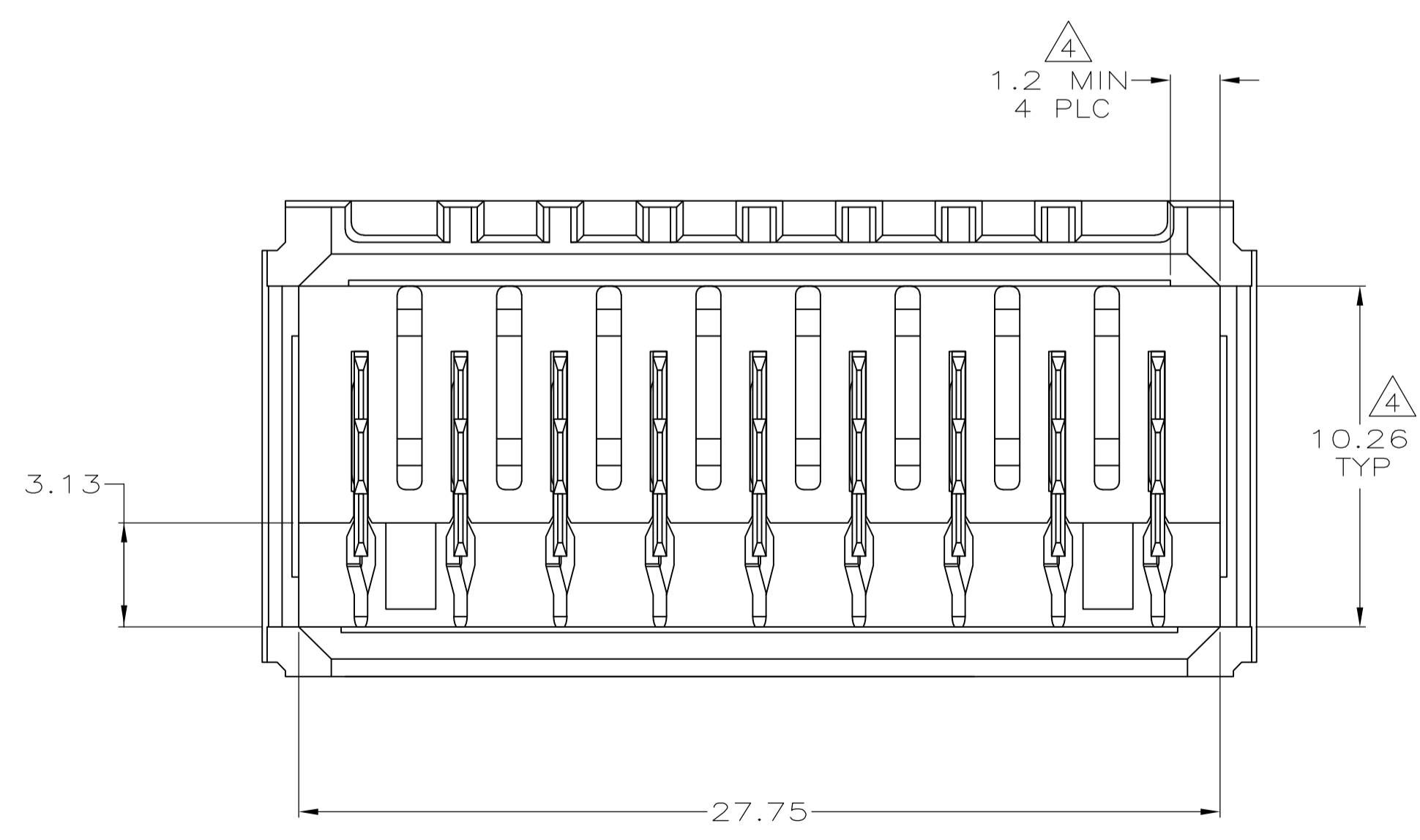


RECOMMENDED PCB HOLE LAYOUT



SECTION W-W
SCALE 40:1



- 1 MATERIAL: HOUSING: POLYESTER. COLOR: GRAY. UL 94V-0. CONTACT: PHOSPHOR BRONZE.
- 2 FINISH: CONTACT MATING AREA: 1.27µm MIN GOLD OR 0.08µm MIN GOLD OVER 0.76µm MIN PALLADIUM-NICKEL. ACTION PIN AREA: 0.5µm MIN TIN PLATE, ALL OVER 1.27µm MIN NICKEL UNDERPLATE.
- 3 FINISH: CONTACT LUBRICATION WITH BELLCORE APPROVED LUBRICANT. TECHNICAL REFERENCE: GR-1217-CORE, ISSUE 1, NOVEMBER 1995.
- 4 THE 10.26±0.13 DIMENSION APPLIES IN THIS AREA.
- 5 REFERENCE APPLICATION SPEC 114-1103 FOR RECOMMENDED PLATED THRU HOLE DIAMETER AND PLATING THICKNESS.
- 6. CURRENT RATING 10A/CONTACT PER PRODUCT SPEC 108-1651.

5646959-1
PART NUMBER

THIS DRAWING IS A CONTROLLED DOCUMENT.		DW: B. CARBO	150EC04	Tyco Electronics Corporation Harrisburg, Pa 17105-3608
DIMENSIONS: mm		CHK: R. PATTERSON	150EC04	
TOLERANCES UNLESS OTHERWISE SPECIFIED:		APP'D: R. PATTERSON	150EC04	NAME: R. PATTERSON
0 PLC	± -	PRODUCT SPEC		ASSEMBLY, RIGHT ANGLE HEADER, W/ RETENTION PEGS, UNIVERSAL POWER MODULE
1 PLC	± -	APPLICATION SPEC		SIZE: A1
2 PLC	± 0.13	WEIGHT: -		CAGE CODE: 00779
3 PLC	± -	CUSTOMER DRAWING		DRAWING NO: 5646959
4 PLC	± -	SCALE: 6:1		SHEET: 1 OF 1
ANGLES	± -	RESTRICTED TO:		REV: B