

# Customer Information Sheet

DRAWING No.: M30-600XX46R SHEET 3 OF 4

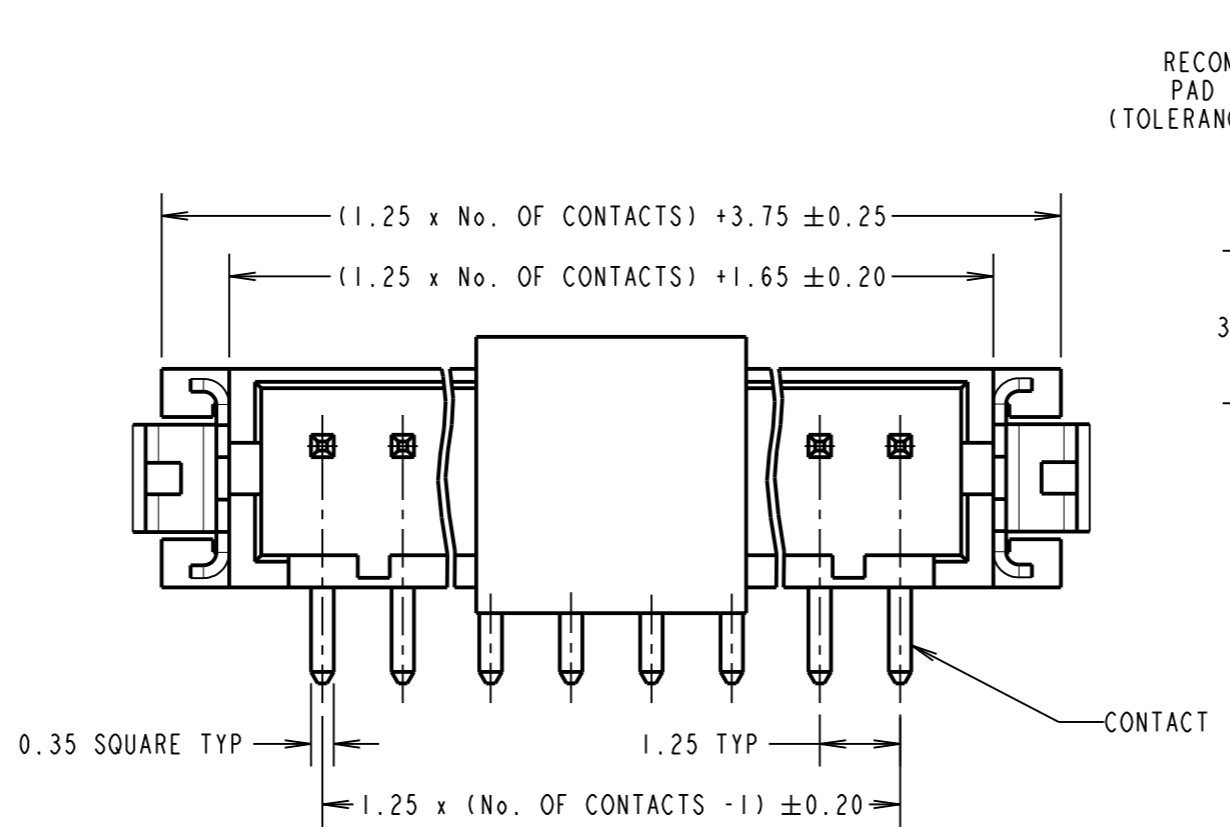
IF IN DOUBT - ASK

©

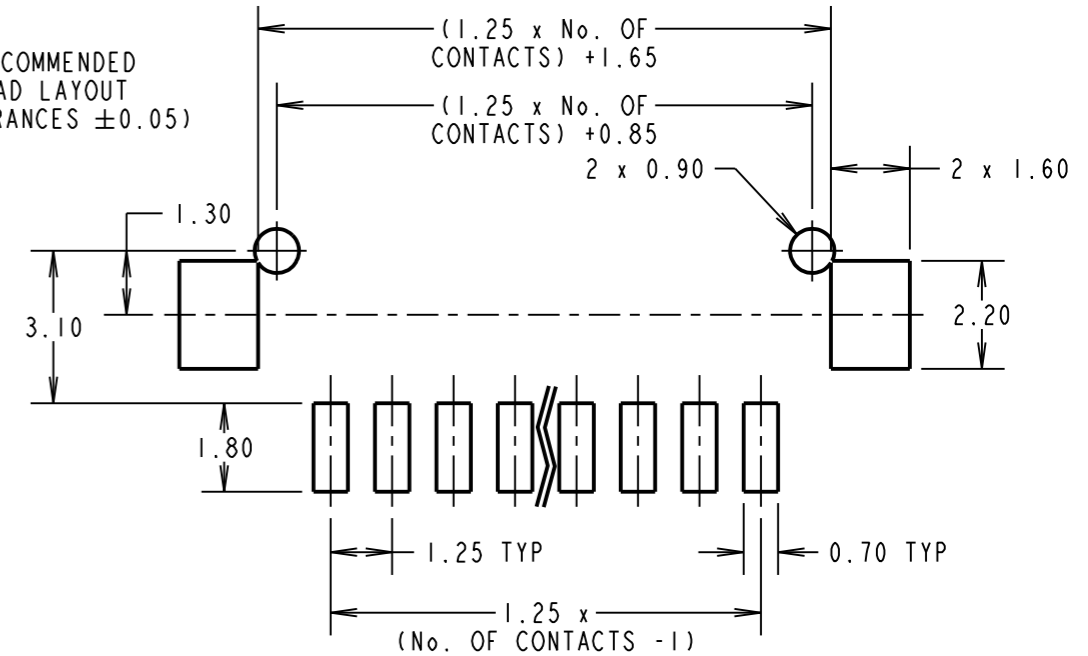
NOT TO SCALE

THIRD ANGLE PROJECTION

ALL DIMENSIONS IN mm



RECOMMENDED  
PAD LAYOUT  
(TOLERANCES  $\pm 0.05$ )



**SPECIFICATIONS:**

**MATERIAL:**

MOULDING = NYLON 6T NATURAL, UL94V-0  
CONTACT = BRASS  
RETAINER = PHOSPHOR BRONZE

**FINISH:**

CONTACT =  $2.03\mu - 2.54\mu$  100% TIN OVER  $0.76\mu$  NICKEL  
RETAINER =  $2.03\mu - 2.54\mu$  100% TIN OVER  $0.76\mu$  NICKEL

**ELECTRICAL:**

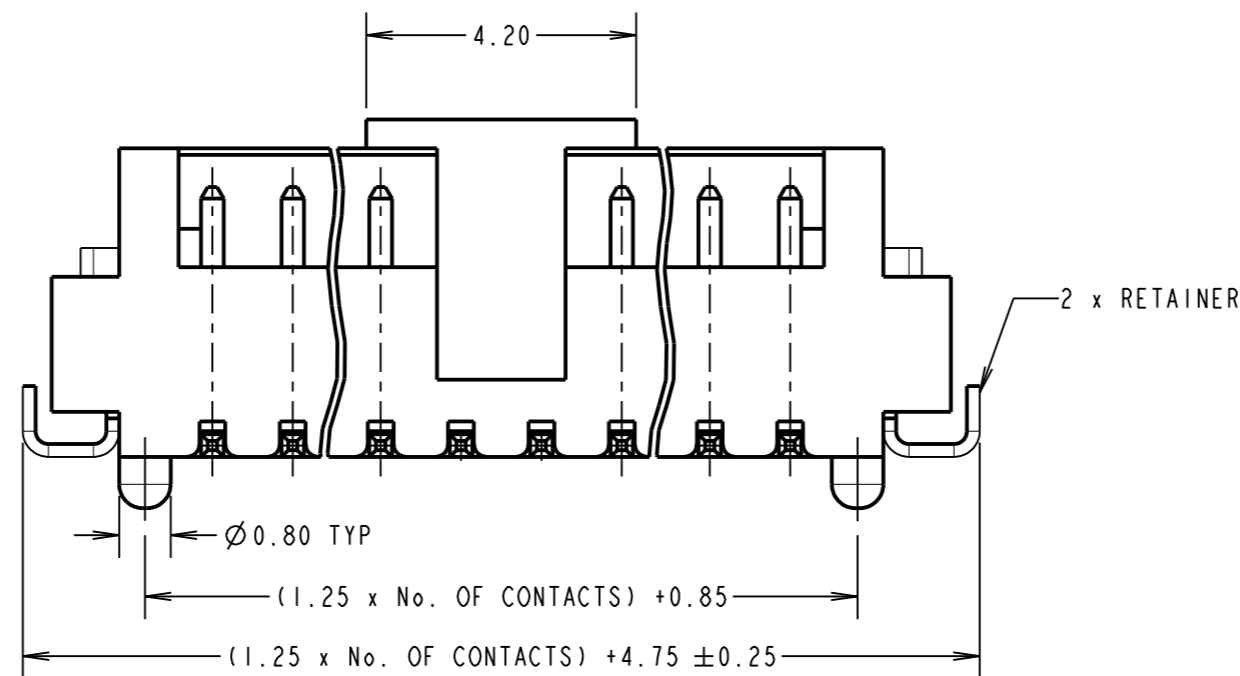
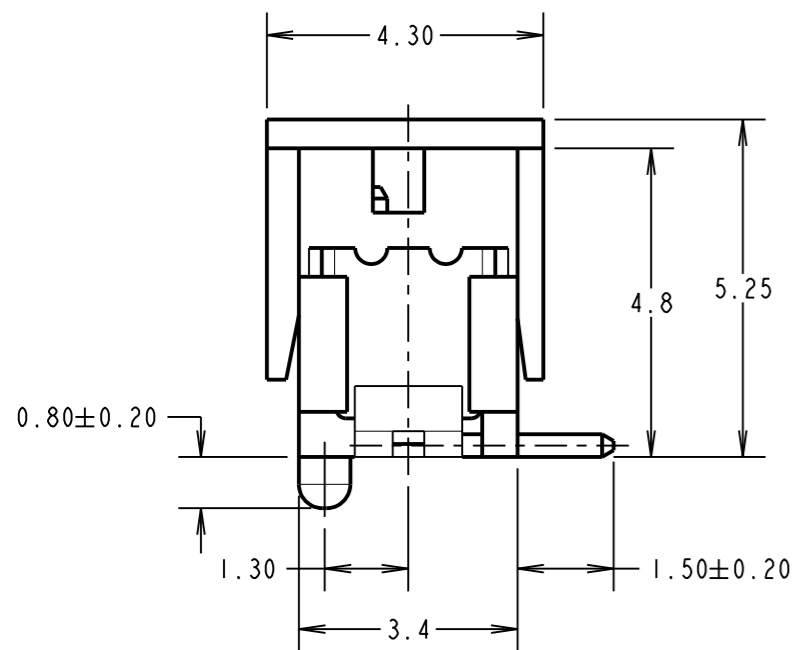
CURRENT RATING = 1A AC/DC  
VOLTAGE RATING = 150V AC/DC  
CONTACT RESISTANCE =  $30m\Omega$  MAX  
INSULATION RESISTANCE =  $500M\Omega$  MIN  
DIELECTRIC WITHSTANDING VOLTAGE = 500V AC FOR ONE MINUTE

**ENVIRONMENTAL:**

TEMPERATURE RANGE =  $-25^\circ$  TO  $+85^\circ\text{C}$

PACKING: TAPE AND REEL

FOR COMPLETE SPECIFICATION, SEE COMPONENT SPECIFICATION C025XX (LATEST ISSUE)



ORDER CODE:  
**M30-600XX46R**  
No. OF CONTACTS  
02 TO 15  
FINISH:  
46 = 100% TIN

SB	7	17.09.12	11801
NAME	ISS.	DATE	C/NOTE
APPROVED: S.BENNETT			
CHECKED: S.FLOWER			
DRAWN: JM BROOKES			
CUSTOMER REF.:			
ASSEMBLY DRG:			

**NOTES:**

- FOR REELING DETAILS SEE PAGE 4.
- MATES WITH M30-1050046 AND M30-1060046 CRIMP CONTACTS.  
MATES WITH M30-110XX00 CRIMP MOULDING.
- COPLANARITY OF CONTACTS AND RETAINER TO BE 0.1mm MAX.

**HARWIN**

www.harwin.com  
technical@harwin.com

THIS DRAWING AND ANY INFORMATION OR DESCRIPTIVE MATTER SET OUT HEREON ARE CONFIDENTIAL AND COPYRIGHT PROPERTY OF THE HARWIN GROUP AND MUST NOT BE DISCLOSED, LOANED, COPIED OR USED FOR MANUFACTURING, TENDERING OR FOR ANY OTHER PURPOSE WITHOUT THEIR WRITTEN PERMISSION.

**TOLERANCES**

X. =  $\pm 1\text{mm}$   
X.X =  $\pm 0.50\text{mm}$   
X.XX =  $\pm 0.10\text{mm}$   
X.XXX =  $\pm 0.01\text{mm}$   
ANGLES =  $\pm 5^\circ$   
UNLESS STATED

**MATERIAL:**

SEE ABOVE

**FINISH:**

SEE ABOVE

**S/AREA:**

mm<sup>2</sup>

TITLE: 1.25mm PITCH SIL  
SMT BOARD MOUNT CONNECTOR  
(TAPE AND REEL)

**DRAWING NUMBER:**

**M30-600XX46R**

SHT  
3 OF 4

# Customer Information Sheet

DRAWING No.: M30-600XX46R

SHEET 4 OF 4

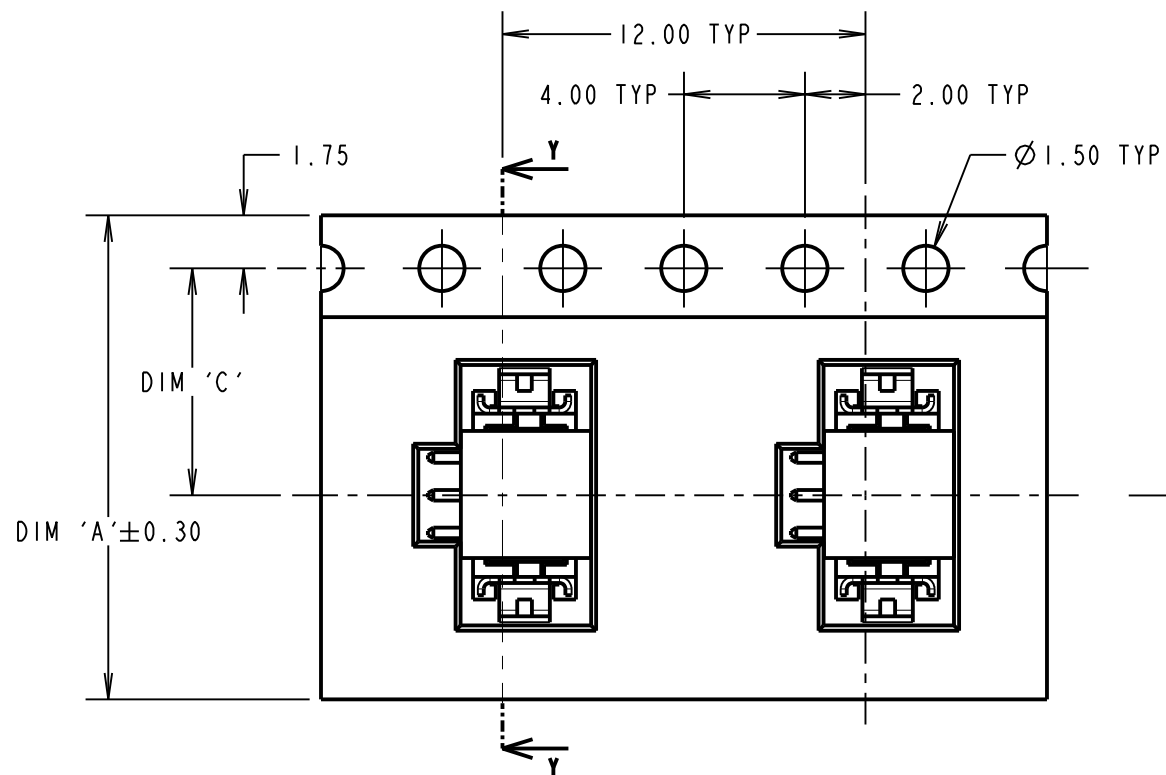
IF IN DOUBT - ASK

©

NOT TO SCALE

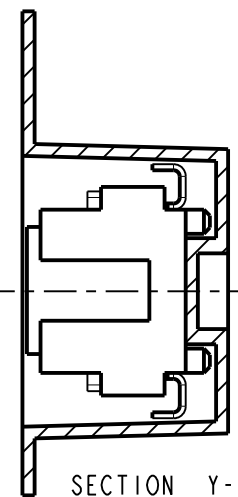
THIRD ANGLE PROJECTION

ALL DIMENSIONS IN mm

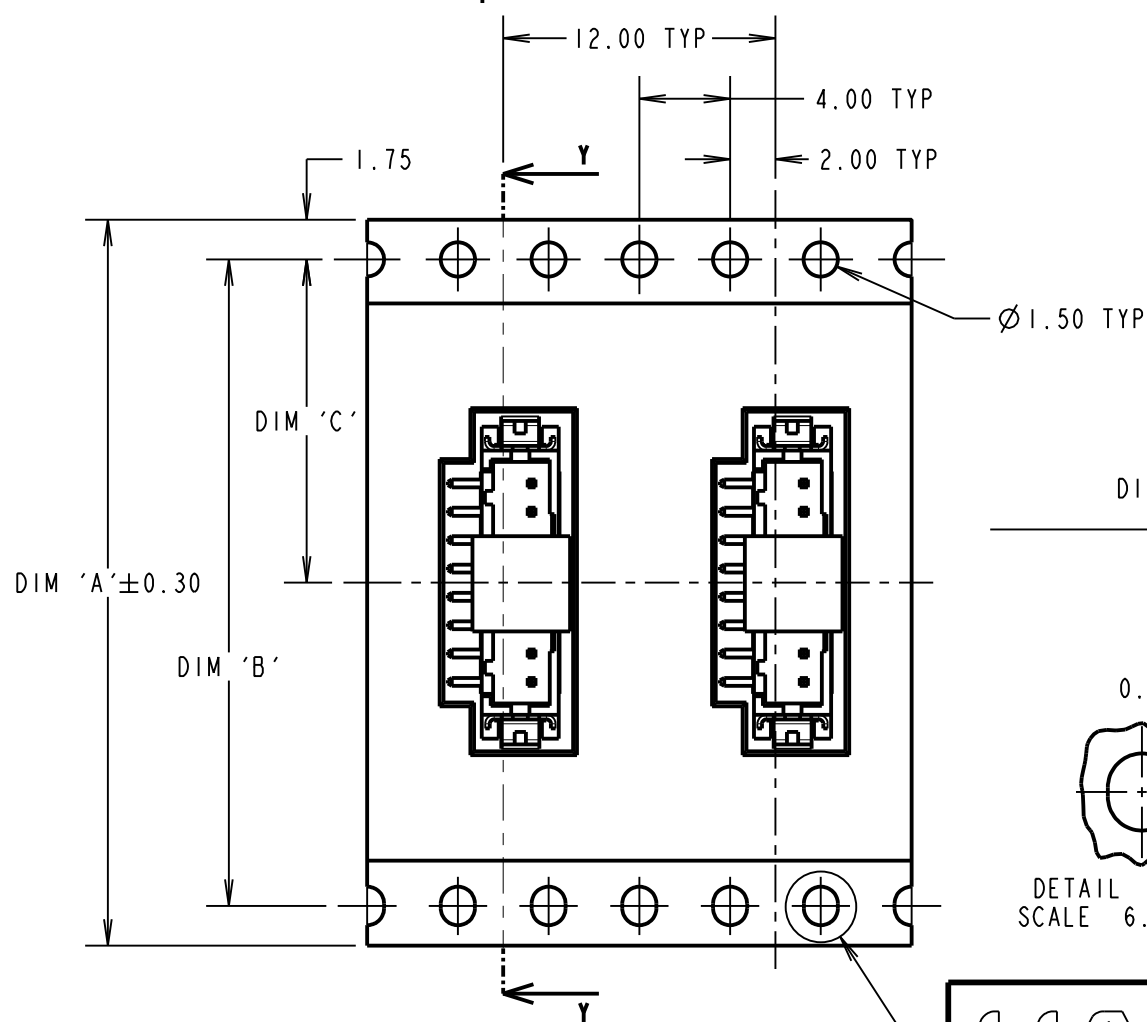


TAPE DETAILS FOR 2 TO 9 CONTACTS

TAPE DIRECTION

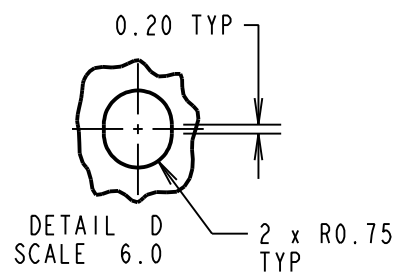
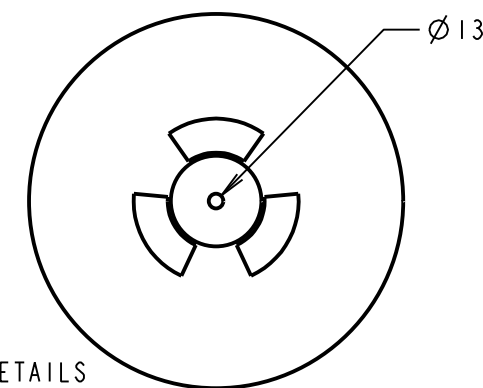
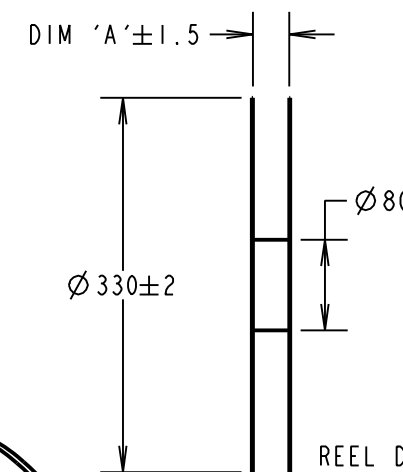
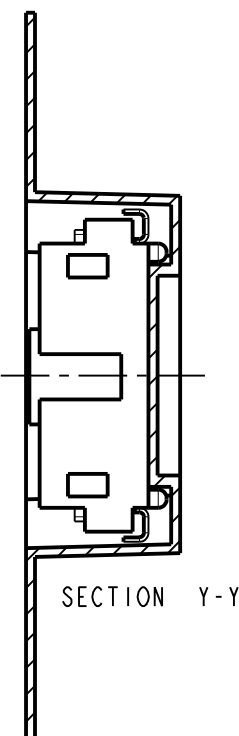


No. OF WAYS	DIM 'A'	DIM 'B'	DIM 'C'	QTY/REEL
2	16	---	7.5	1000
3	16	---	7.5	1000
4	24	---	11.5	1000
5	24	---	11.5	1000
6	24	---	11.5	1000
7	24	---	11.5	1000
8	24	---	11.5	1000
9	24	---	11.5	1000
10	32	28.4	14.2	1000
11	32	28.4	14.2	1000
12	32	28.4	14.2	1000
13	32	28.4	14.2	1000
14	32	28.4	14.2	1000
15	32	28.4	14.2	1000



TAPE DETAILS FOR 10 TO 15 CONTACTS

TAPE DIRECTION



NOTES:  
1. FOR CONNECTOR DIMENSIONS, SEE SHEET 3.  
2. ALL TOLERANCES ARE ±0.15 UNLESS OTHERWISE STATED.

SB	7	17.09.12	11801
NAME	ISS.	DATE	C/NOTE
APPROVED: S.BENNETT			
CHECKED: S.FLOWER			
DRAWN: JM BROOKES			
CUSTOMER REF.:			
ASSEMBLY DRG:			

**HARWIN**

www.harwin.com  
technical@harwin.com

THIS DRAWING AND ANY INFORMATION OR DESCRIPTIVE MATTER SET OUT HEREON ARE CONFIDENTIAL AND COPYRIGHT PROPERTY OF THE HARWIN GROUP AND MUST NOT BE DISCLOSED, LOANED, COPIED OR USED FOR MANUFACTURING, TENDERING OR FOR ANY OTHER PURPOSE WITHOUT THEIR WRITTEN PERMISSION.

TOLERANCES  
X = ±1mm  
X.X = ±0.50mm  
X.XX = ±0.10mm  
X.XXX = ±0.01mm  
ANGLES = ±5°  
UNLESS STATED

MATERIAL: SEE SHEET 3  
FINISH: SEE SHEET 3  
S/AREA: mm<sup>2</sup>

TITLE: 1.25mm PITCH SIL SMT BOARD MOUNT CONNECTOR (TAPE AND REEL)

DRAWING NUMBER: M30-600XX46R

SHT 4 OF 4