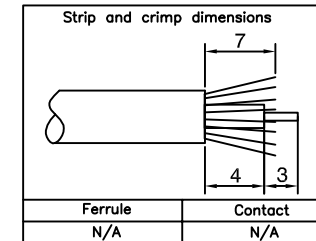
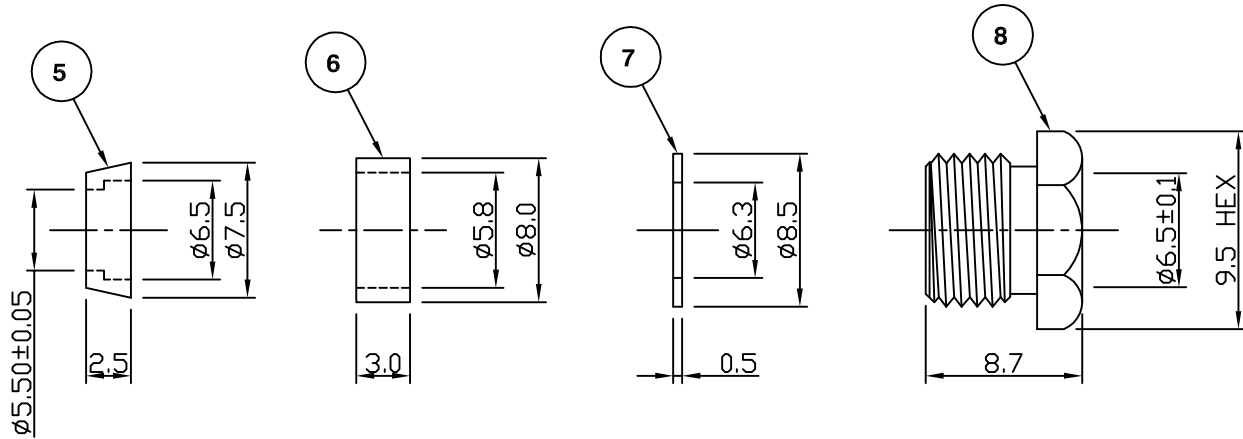
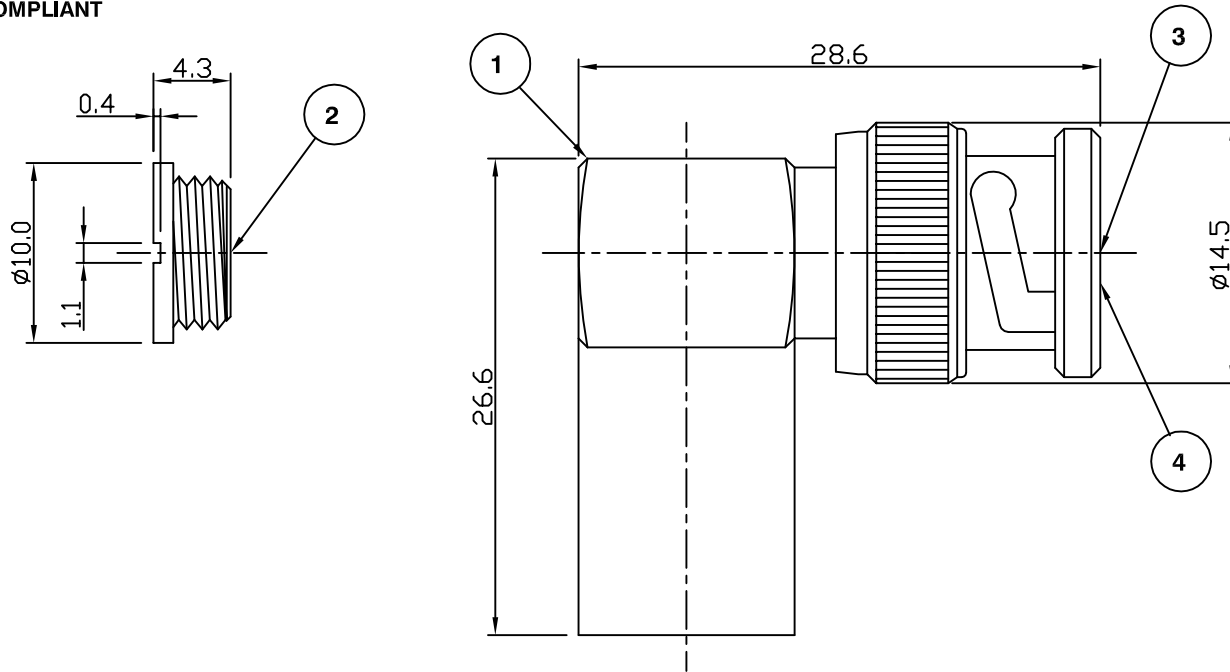


RoHS COMPLIANT



Electrical Characteristics

Nominal Impedance:	75 ohms
Frequency Range:	DC to 1 GHz
VSWR:	1.35:1 maximum
Insertion Loss:	0.2 dB at 1 GHz
Operating Voltage (rms):	500 V maximum at sea level
Dielectric Withstand Voltage (rms):	1500 V maximum at sea level
Contact Resistance:	1.5 milliohms maximum
Insulation Resistance:	5000 megohms minimum

Mechanical Characteristics

Mating Cycles:	500 cycles minimum
Interface Dimensions:	Conform to MIL-C-39012

Environmental Characteristics

Temperature Range:	-55 °C to +85 °C
--------------------	------------------

PART	DESCRIPTION
1	Body Brass, nickel plated
2	Nut Brass, nickel plated
3	Contact Brass, gold plated
4	Dielectric Delrin
5	Clamp Brass, nickel plated
6	Gasket Rubber
7	Washer Steel, nickel plated
8	Nut Brass, nickel plated

First Issue	JC	1	02 June 11
DESCRIPTION OF REVISION	APPVD	ISS	DATE

For stripping and assembly instructions see Drawing Number: VAIB2201



Cinch Connectivity Solutions :
7-13 Russell Way,
Widford Industrial Estate,
Chelmsford, Essex,
CM1 3AA, UK.
Tel: +44 (0) 1245 359515
Fax: +44 (0) 1245 358938

SCALE: Not To Scale

DIMENSIONS: mm

TOLERANCES:
± 0.2mm unless
otherwise stated

DRAWN BY: J Cracknell

CHECKED BY: M Spooner

APPROVED BY: M Spooner

DATE: 02 June 11

TITLE:
**BNC Right Angle Clamp
Plug for RG59**

PART NUMBER:
VBS20-2031

PAGE: 1 of 1