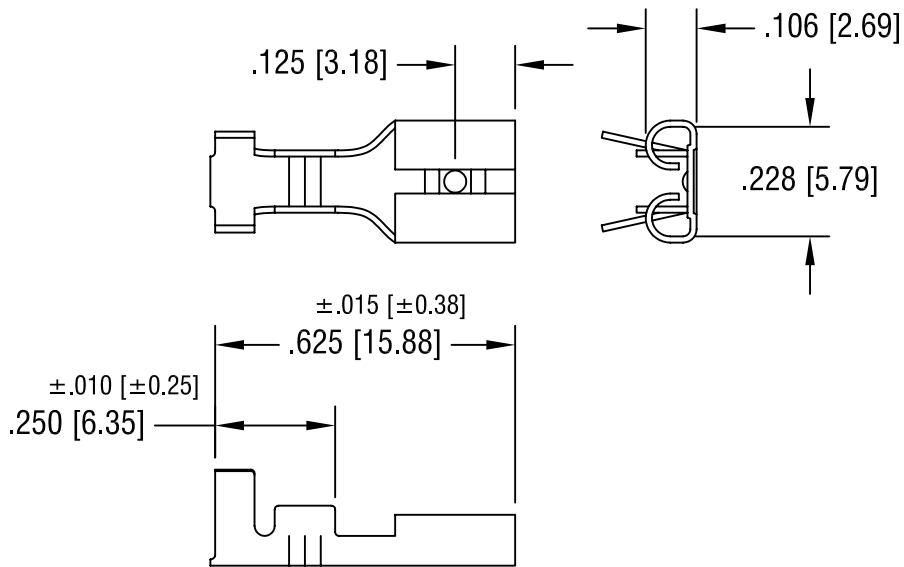


THIS DOCUMENT IS THE PROPERTY OF  
KEYSTONE ELECTRONICS CORP. AND  
SHALL NOT BE REPRODUCED, DISTRIBUTED  
OR USED AS A BASIS FOR MANUFACTURE  
WITHOUT PRIOR WRITTEN PERMISSION  
FROM KEYSTONE ELECTRONICS CORP.



NOTES:

- DESIGNED FOR .205 [5.21] x  
.020 [0.51] TAB

11.12.07	CHANGE AS PER ECN 07-077	B
7.11.96	CHANGE AS PER ECR 96-035	A
DATE	DESCRIPTION	REV.

<b>KEYSTONE ELECTRONICS CORP.</b>			
ASTORIA, N.Y. 11105-2017			
PART NAME .205 x .020 QUICK-FIT FEMALE TERMINAL			
MATERIAL .013 [0.33] TH'K BRASS			
FINISH TIN PLATE		DRN BY BOONE	DATE 5.5.82
		APP'D LN	SCALE 2.5X
TOLERANCES	INCH [MM]	CODE	DWG NO.
DECIMAL	± .005 [± 0.15]	C/M	<b>4469</b>
ANGULAR	± 1°		
UNLESS OTHERWISE SPECIFIED			