

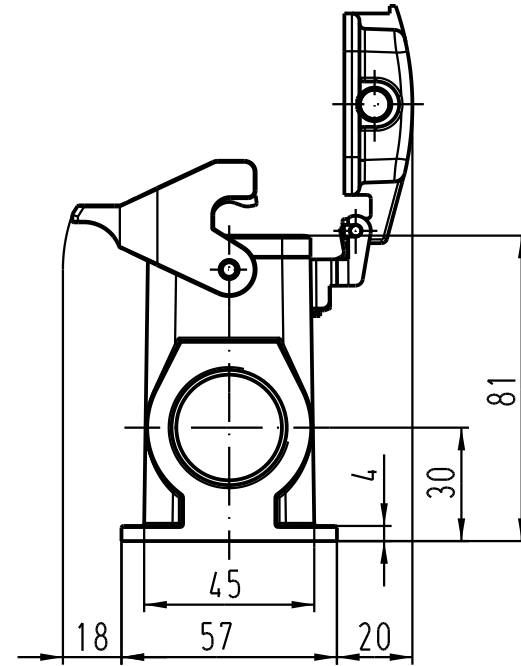
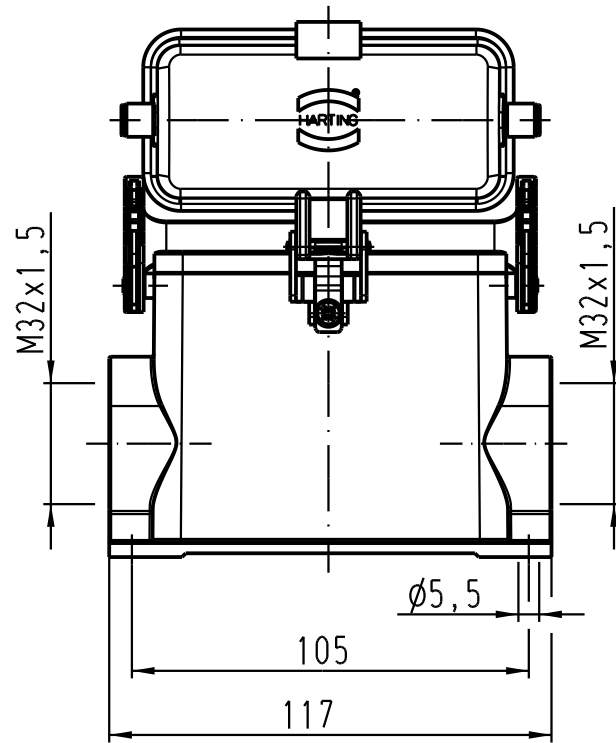
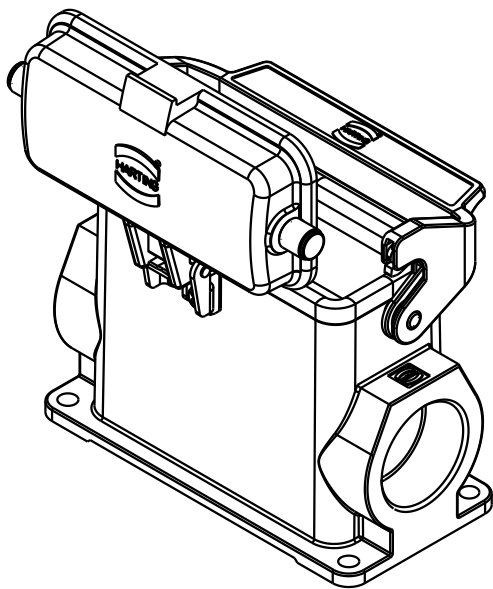
1 2 3 4 5 6

A

B

C

D



| | | | | | | | |
|--------|------|---|--|---|------|--|---|
| | | All Dimensions in mm Original Size DIN A 4 | | Techn. Character. | | Nicht tolerierte Masse/ Free size tolerances | |
| | | | | | | 1:2 | Han 16B-ASG2-LB-K-M32 Sockelgehäuse/ housing surface mounting |
| | | | | Dat. | Name | | |
| | | | | Detail. 01.02.05 | Ho | | |
| | | | | Insp. | Be | | |
| | | | | Stand. | | | |
| 411444 | | | | HARTING Electric GmbH & Co. KG D-32339 Espelkamp | | | TB 19 30 016 7297 |
| Mod. | Dat. | Name | | | | | Sub. |