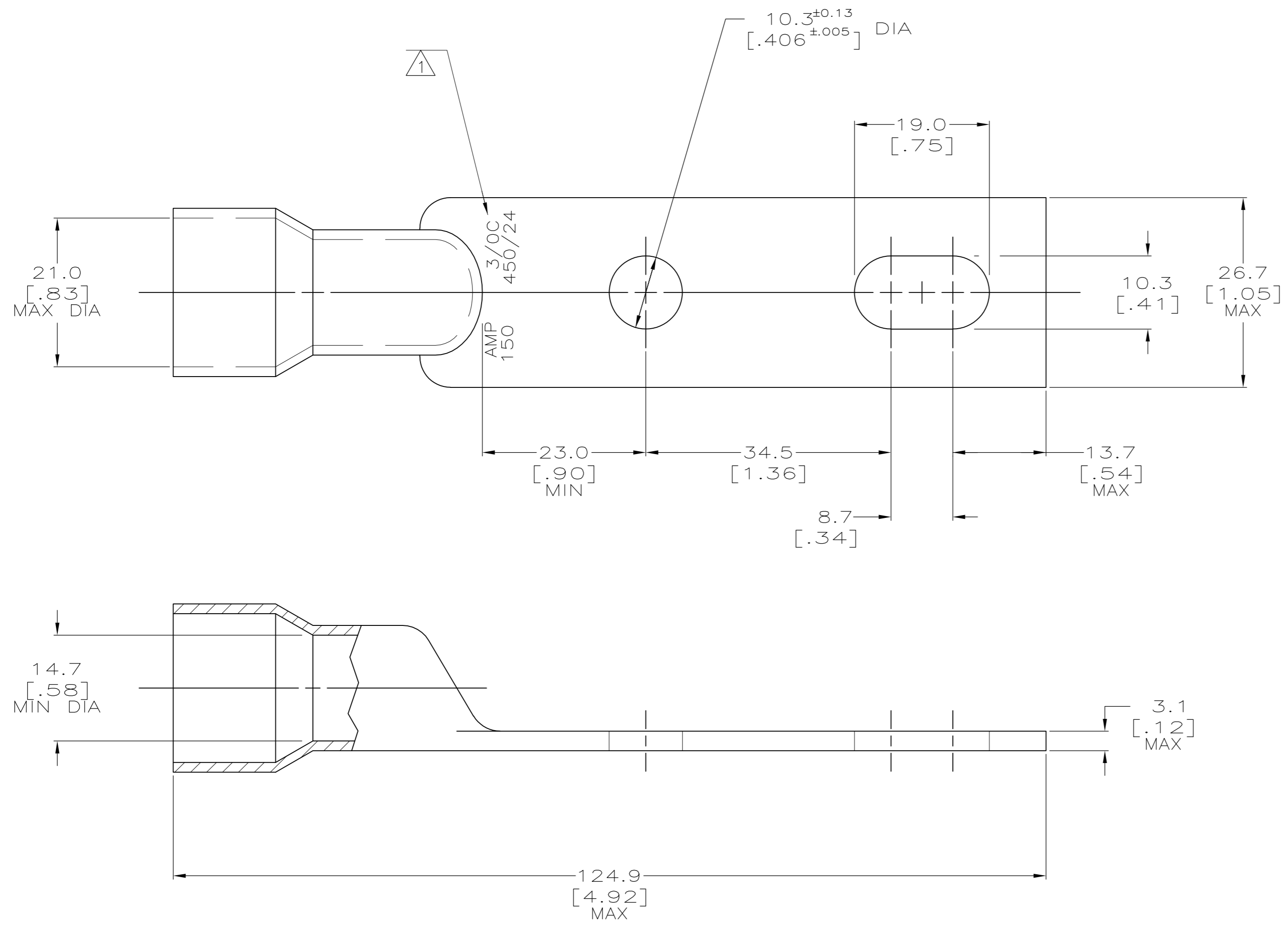


THIS DRAWING IS UNPUBLISHED. RELEASED FOR PUBLICATION  
 © COPYRIGHT BY TYCO ELECTRONICS CORPORATION. ALL INTERNATIONAL RIGHTS RESERVED.

LOC	DIST	REVISIONS			
G	86	P	LTR	DESCRIPTION	MS
		D1		REV PER ECR 08-031149	09DEC08 JR TM



1 STAMP AMP 3/0C 150 450/24 LOCATE APPROX IN AREAS SHOWN  
 2 TIN PLATE 0.00381 [.000150] MIN PER ASTM B-545

327803

327803

PART NO.

MAX RECOMMENDED OPERATING TEMPERATURE: 170°C	THIS DRAWING IS A CONTROLLED DOCUMENT.		DWN DK SCHRUM 8/3/93	Tyco Electronics Corporation Harrisburg, PA 17105-3608
	VOLTAGE RATING: N/A	DIMENSIONS: MM [ INCHES ]	CHK AJ KAUFMAN 8/9/93	
CIRCULAR MIL AREA: 76.25-96.27mm² [150,500-90,000] STRANDED	TOLERANCES UNLESS OTHERWISE SPECIFIED: 0 PLC ± - 1 PLC ± - 2 PLC ± 0.20[.008] 3 PLC ± - 4 PLC ± - ANGLES ± - FINISH	APVD JL MECKLEY 8/9/93	PRODUCT SPEC	TERMINAL, BATTERY, RECTANGULAR TONGUE, AMPPOWER, WIRE SIZE: 3/0 MCM
MATERIAL COPPER PER ASTM B-75 ANNEALED	FINISH 2	APPLICATION SPEC	WEIGHT .202 LBS	SIZE A2
		CUSTOMER DRAWING	SCALE 2:1	CAGE CODE 00779
			SHEET 1 of 1	DRAWING NO C=327803
			RESTRICTED TO	REV D1