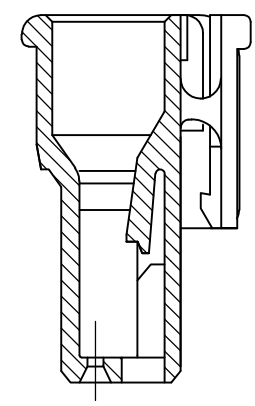
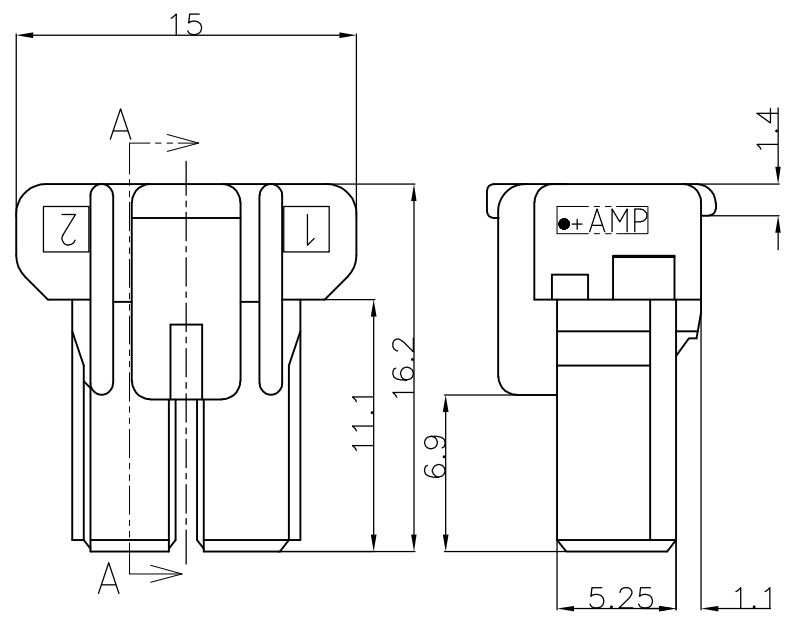
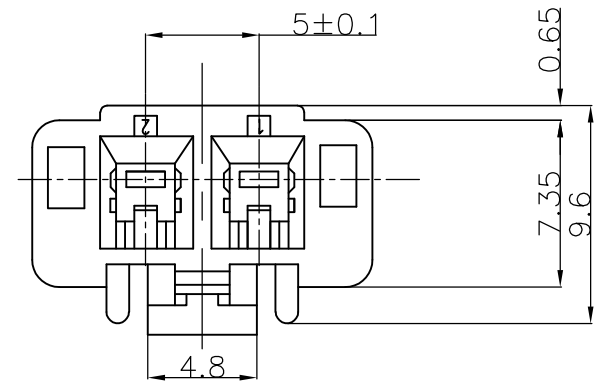
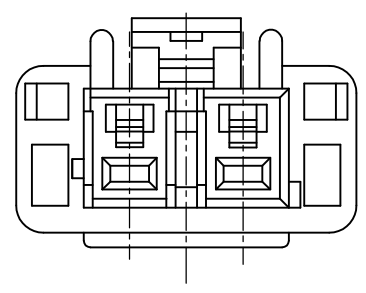


THIS DRAWING IS UNPUBLISHED. RELEASED FOR PUBLICATION
 © COPYRIGHT - By - ALL RIGHTS RESERVED.

| REVISIONS | | | | | |
|-----------|-----|---------------------------|-----------|-----|------|
| P | LTR | DESCRIPTION | DATE | DWN | APVD |
| | B2 | REVISED PER ECR-16-007444 | 31MAY2016 | NK | SC |
| | B3 | REVISED PER ECR-16-017467 | 1MAR2017 | CX | DZ |

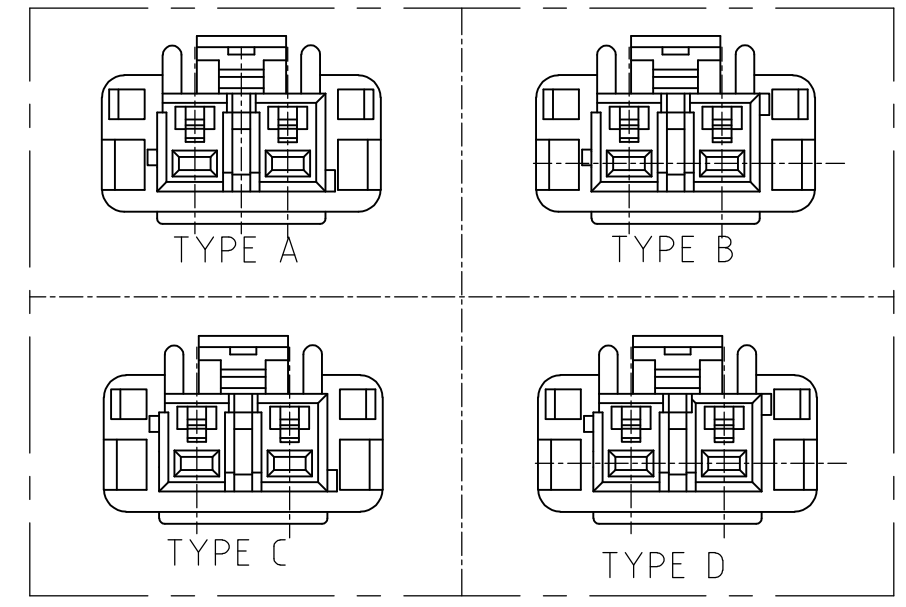


SECT A-A



- 1 MATING CONN. P/N
HEADER ASS'Y :SEE TABLE
REC CONTACT ;1376347-1,1376348-1
- 2 APPLICABLE PLATE P/N :1376394-1
- 3 PARTS COMPLY WITH GLOW WIRE
REQUIREMENT FOR PARTS OF NON-METALLIC
MATERIAL SUPPORTING A CURRENT-CARRYING
CONNECTION DETAILED IN IEC 60335-1,
SECTION 30 (GWT) .
- 4 NYLON 6 GWT, V-2.
- 5 NYLON 66, GWT, V-0.

THE TYPE OF KEYING



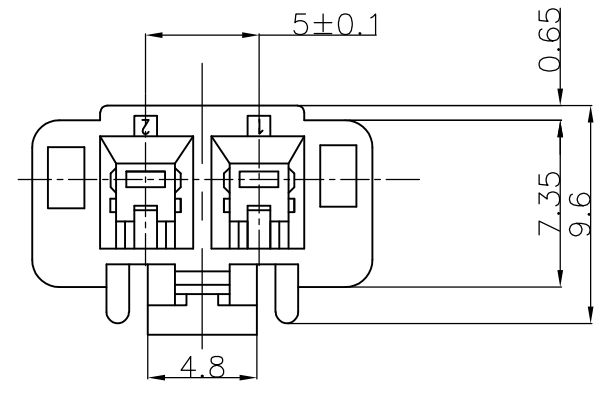
| | |
|-------------|--|
| HOSING NAME | 6 / 6 NYLON GRASS FILLED/ NYLON 6 MATERIAL |
|-------------|--|

| 4 | 5 | 5 | 5 | 5 | 5 |
|------------------|--------------------|---------|------|-------------|---|
| 1376382-5 | TYPE A | NATURAL | 2POS | 1376388-5 | |
| 3-1376382-4 | TYPE D | YELLOW | 2POS | 3-1376388-4 | |
| 2-1376382-3 | TYPE C | BLUE | 2POS | 2-1376388-3 | |
| 1-1376382-2 | TYPE B | RED | 2POS | 1-1376388-2 | |
| 1376382-1 | TYPE A | NATURAL | 2POS | 1376388-1 | |
| MATING CONN. P/N | THE TYPE OF KEYING | COLOR | POS | PART NO. | |

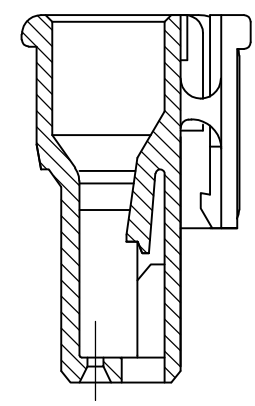
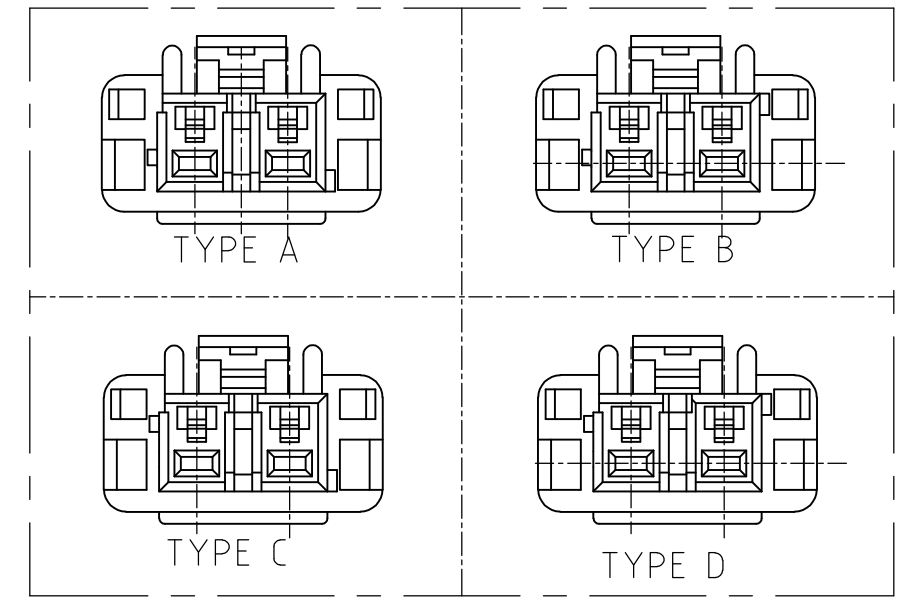
| | | | | | | | |
|---|--|-------------------------------|---|-----------------|--|--------------|--|
| THIS DRAWING IS A CONTROLLED DOCUMENT. | | DWN A.OISHI 31AUG00 | TE Connectivity 5.0 POWER KEY CONNECTOR 2P PLUG HOUSING | | | | |
| DIMENSIONS: mm | | CHK Y.KASHIWA 28AUG'00 | | | | NAME | |
| TOLERANCES UNLESS OTHERWISE SPECIFIED: GENGRAL TOLERANCE ±0.20 | | APVD Y.KASHIWA 28AUG'00 | | | | PRODUCT SPEC | |
| 0 PLC ± 1 PLC ± 2 PLC ± 3 PLC ± 4 PLC ± ANGLES ±1° | | APPLICATION SPEC | | | | | |
| MATERIAL SEE TABLE | | FINISH SEE TABLE | | WEIGHT | | | |
| | | 108-5699 | | 114-5292 | | | |
| | | CUSTOMER DRAWING | | SCALE 3:1 | | | |
| | | SIZE A3 | | CAGE CODE 00779 | | | |
| | | DRAWING NO C-1376388 | | RESTRICTED TO - | | | |
| | | SHEET 1 OF 2 | | REV B3 | | | |

THIS DRAWING IS UNPUBLISHED. RELEASED FOR PUBLICATION
 © COPYRIGHT - By - ALL RIGHTS RESERVED.

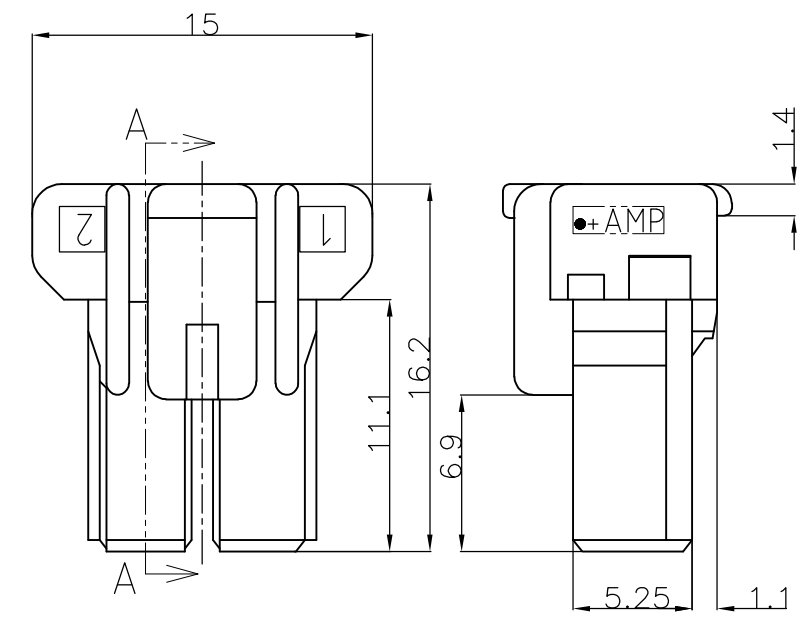
| REVISIONS | | | | | |
|-----------|-----|-------------|------|-----|------|
| P | LTR | DESCRIPTION | DATE | DWN | APVD |
| - | - | SEE SHEET 1 | - | - | - |



THE TYPE OF KEYING



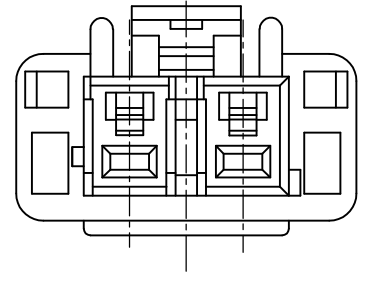
SECT A-A



| | |
|--------|-------------|
| HOSING | 6 / 6 NYLON |
| NAME | MATERIAL |

- 1 MATING CONN. P/N
 HEADER ASS'Y :SEE TABLE
 REC CONTACT ;1376347-1,1376348-1
- 2 APPLICABLE PLATE P/N :1376394-1

| | | | | | |
|----|------------------|--------------------|---------|------|-------------|
| △5 | 3-1376382-5 | TYPE D | YELLOW | 2POS | 3-1376388-5 |
| △5 | 2-1376382-4 | TYPE C | BLUE | 2POS | 2-1376388-4 |
| △5 | 1-1376382-3 | TYPE B | RED | 2POS | 1-1376388-3 |
| △5 | 1376382-2 | TYPE A | NATURAL | 2POS | 1376388-2 |
| | MATING CONN. P/N | THE TYPE OF KEYING | Color | POS | PART NO. |



| | | | | | |
|---|--|-------------------------------|--|--------------------|-------------------------|
| THIS DRAWING IS A CONTROLLED DOCUMENT. | | DWN A.OISHI 31AUG00 | TE Connectivity | | |
| DIMENSIONS: mm | | CHK Y.KASHIWA 28AUG'00 | | | |
| TOLERANCES UNLESS OTHERWISE SPECIFIED: GENGRAL TOLERANCE ±0.20 | | APVD Y.KASHIWA 28AUG'00 | NAME 5.0 POWER KEY CONNECTOR 2P PLUG HOUSING | | |
| 0 PLC ± 1 PLC ± 2 PLC ± 3 PLC ± 4 PLC ± ANGLES ±1° | | PRODUCT SPEC 108-78863 | SIZE A3 | | |
| MATERIAL SEE TABLE | | FINISH SEE TABLE | APPLICATION SPEC 114-5292 | CAGE CODE 00779 | DRAWING NO C-1376388 |
| CUSTOMER DRAWING | | | WEIGHT - | RESTRICTED TO - | SCALE 3:1 |
| | | | SHEET 2 OF 2 | | REV B3 |