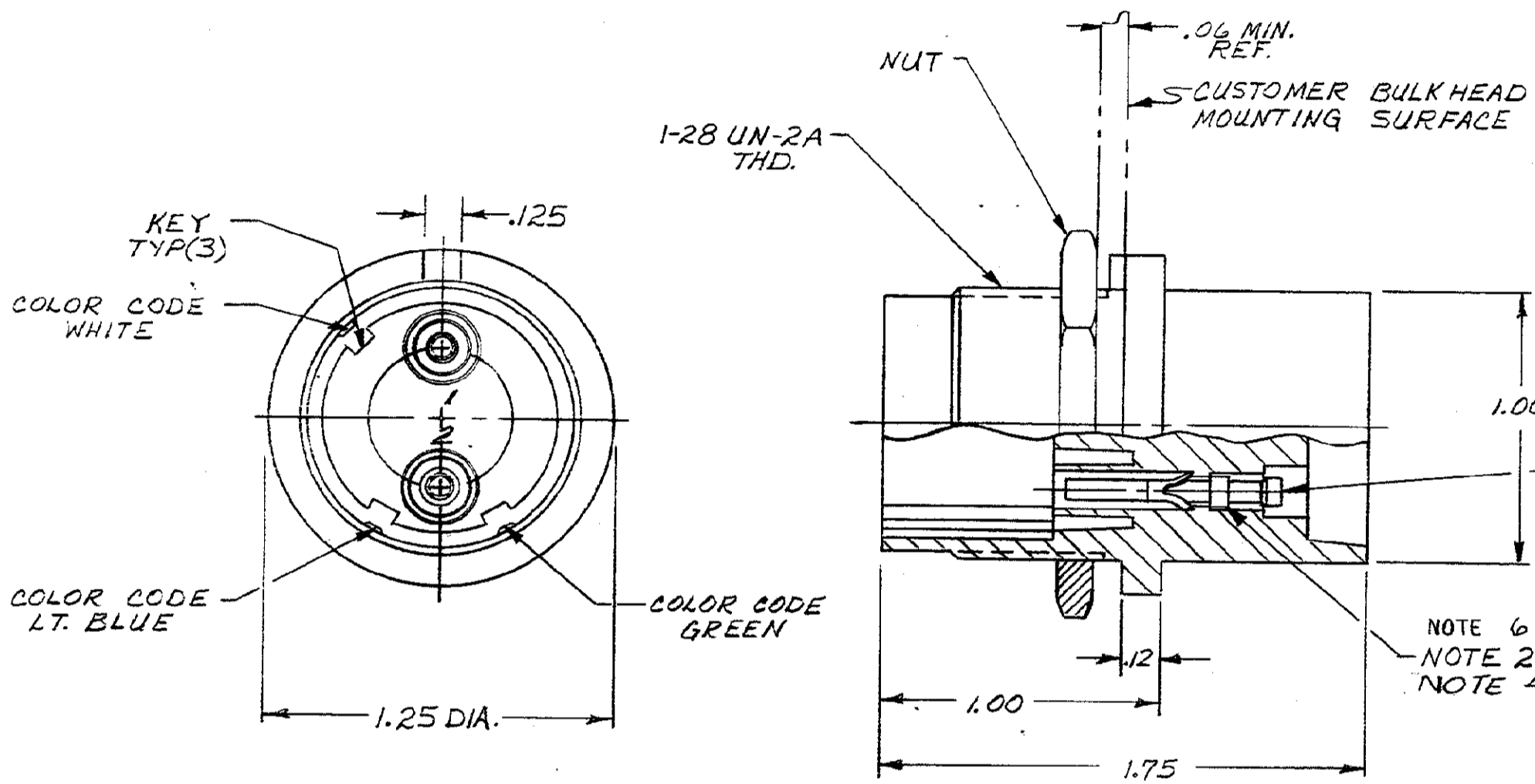


DRAWING MADE IN AMERICAN PROJECTION

© 1971 BY AMP INCORPORATED. ALL RIGHTS RESERVED. AMP PRODUCTS COVERED BY PATENTS AND/OR PATENTS PENDING.

Published copy not to be reproduced without written permission of AMP

| REVISIONS | | | | |
|-----------|-----|---|----------|----------|
| ZONE | LTR | DESCRIPTION | DATE | APPROVED |
| | E | REV. & REDRAWN WAS "B" SIZE | 7-24-71 | MB |
| | F | REV. NOTE 2 & ADDED POTTING MATERIAL | 8-24-71 | MB |
| | G | ADDED P/N -2 & NOTE # 5 | 10-20-72 | MB |
| | H | ADDED COLOR CODE & DELETED PORTION OF TWD | 5-18-72 | MB |
| | J | REV. NOTES | 11-23-74 | MB |
| | K | ADDED -3 | 2-26-76 | MB |
| | L | ADDED -4, -5, -6 | 6-29-77 | MB |
| | M | REV. PER E.C.N. 8597 | 1-29-79 | MB |
| | N | OBSOLETE -3 & -6 ECN S3615 | 11-5-86 | MB |
| | P | REACTIVATE -6 PER ECN DFOZC07 | 12/16/87 | MB |

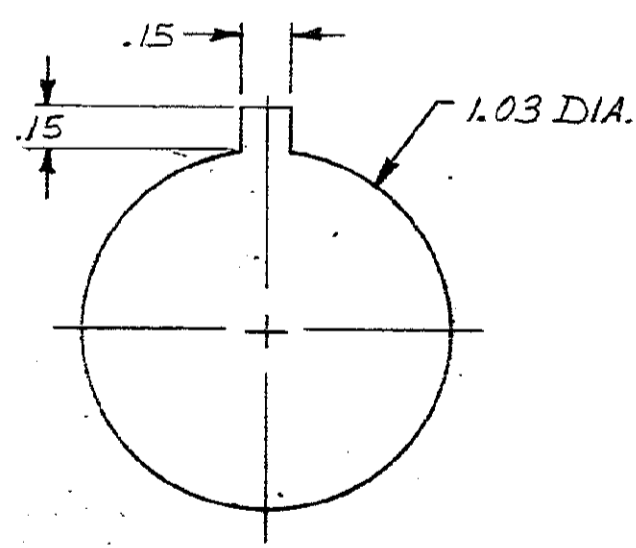


CUSTOMER TO ATTACH LEADS & PROTECT AGAINST ARC-OVER & BREAKDOWN BY POTTING. SOCKETS TO BE COATED WITH RTV 108 AND INSERTED IN CAVITIES. AFTER CURING FILL BACK END OF RECEPTACLE WITH HYSOL 4210 PER AMP SPEC. 1-859234-7.

NOTE 6 FOR P/N -3, -6
NOTE 2 FOR P/N -1, -4
NOTE 4 FOR P/N -2, -5

NOTE:

1. CAVITY TO ACCEPT AMP SOCKETS, TYPE II 16 GA. SOCKETS, SUPPLIED SEPARATELY IN A PLASTIC BAG.
2. TYPE II SOCKETS WILL ACCEPT (1) 22 AWG, (1) 20 AWG, OR (1) 24 AWG STRANDED WIRE. GOLD PLATED PER MIL-G-45204 TYPE II .00050 MIN. THICKNESS. TYP
3. RECEPTACLE WILL WITHSTAND WITHOUT BREAKDOWN 27 KV DC PIN TO PIN & 27 KV DC PIN TO GRD. WHEN MATED WITH 859817, 859537, 859530, 859531 & 859532
4. TYPE I SOCKETS WILL ACCEPT (1) 16 AWG, OR (1) 18 AWG STRANDED WIRE.
5. TO REMOVE SOCKETS USE EXTRACTION TOOL # 861751-1
6. TYPE II SOCKETS TO ACCEPT ONE (1) 14 AWG STRANDED WIRE.



| PART NO | WIRE SIZE SKT. WILL ACCEPT | HAND TOOL | COLOR CODING |
|-------------------|----------------------------|-----------|--------------|
| 859529-1 | 24, 22, 20 AWG | 45099 | YES |
| 859529-2 | 16, 18 AWG | 45098 | YES |
| OBSOLETE 859529-3 | 14 AWG | 45098 | YES |
| 859529-4 | 20, 22, 24 | 45099 | NO |
| 859529-5 | 16, 18 | 45098 | NO |
| 859529-6 | 14 | 45098 | NO |

| | | | | | |
|--|--|---------------------------------------|--|---|--|
| UNLESS OTHERWISE SPECIFIED: DIMENSIONS ARE IN INCHES TOLERANCES .00 = ±.04 ANGLES = J .000 = ±.015 | | CONTRACT NO. OR L. GEIB 2-15-71 | | NOMENCLATURE OR DESCRIPTION PARTS LIST AMP INCORPORATED CAPITROM DIVISION ELIZABETHTOWN, PENNSYLVANIA | |
| MATERIAL: MOLDED PLASTIC | | CHK | | NAME 2 CAVITY FLANGED RECEPTACLE H. V. | |
| FINISH: BLACK | | APPD M. GARDNER 2-15-71 | | SIZE C | |
| NEXT ASSY | | OTHER APPD | | CODE IDENT NO. 00779 | |
| QTY REQD | | APPLICATION | | NUMBER 859529 | |
| | | | | SCALE | |
| | | | | SHEET 1 OF 1 | |