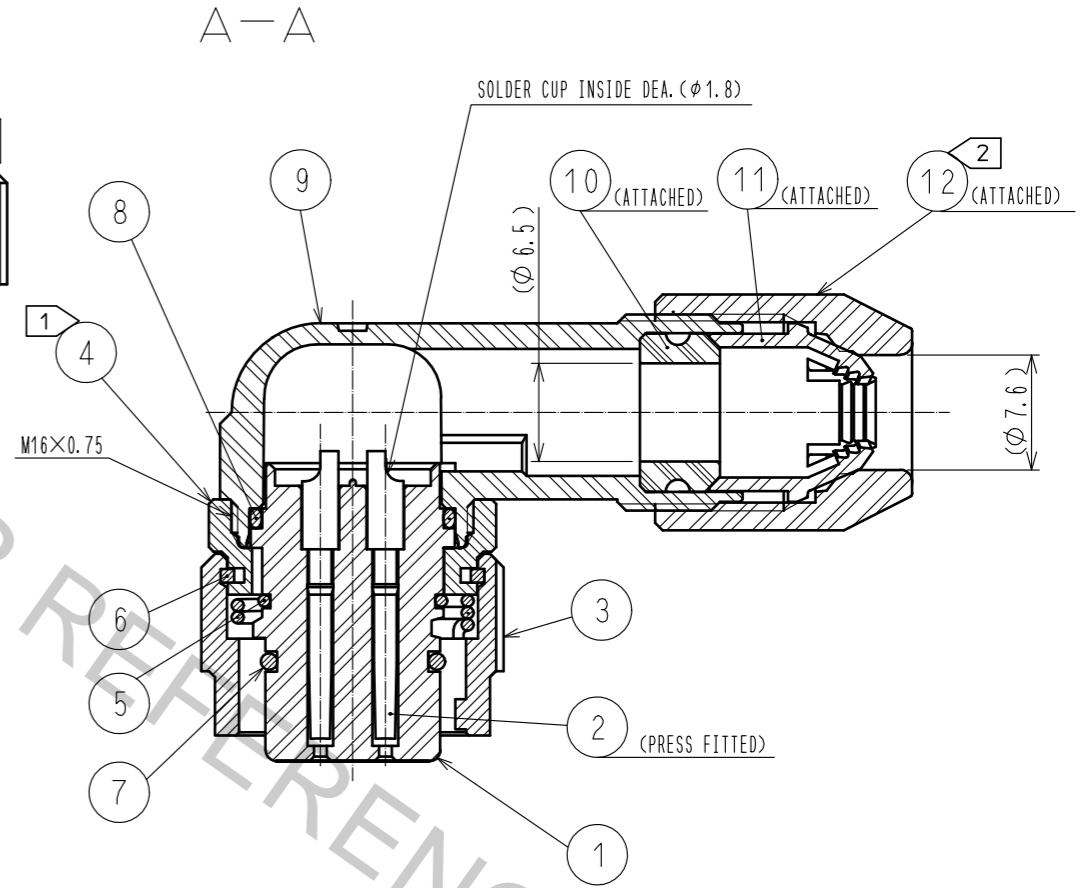
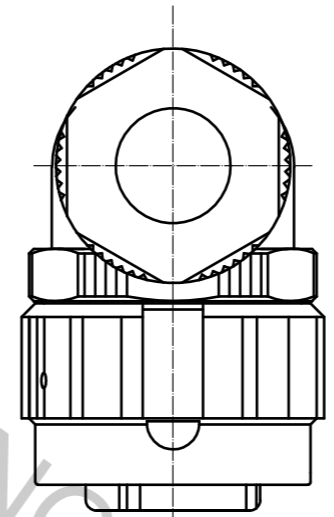
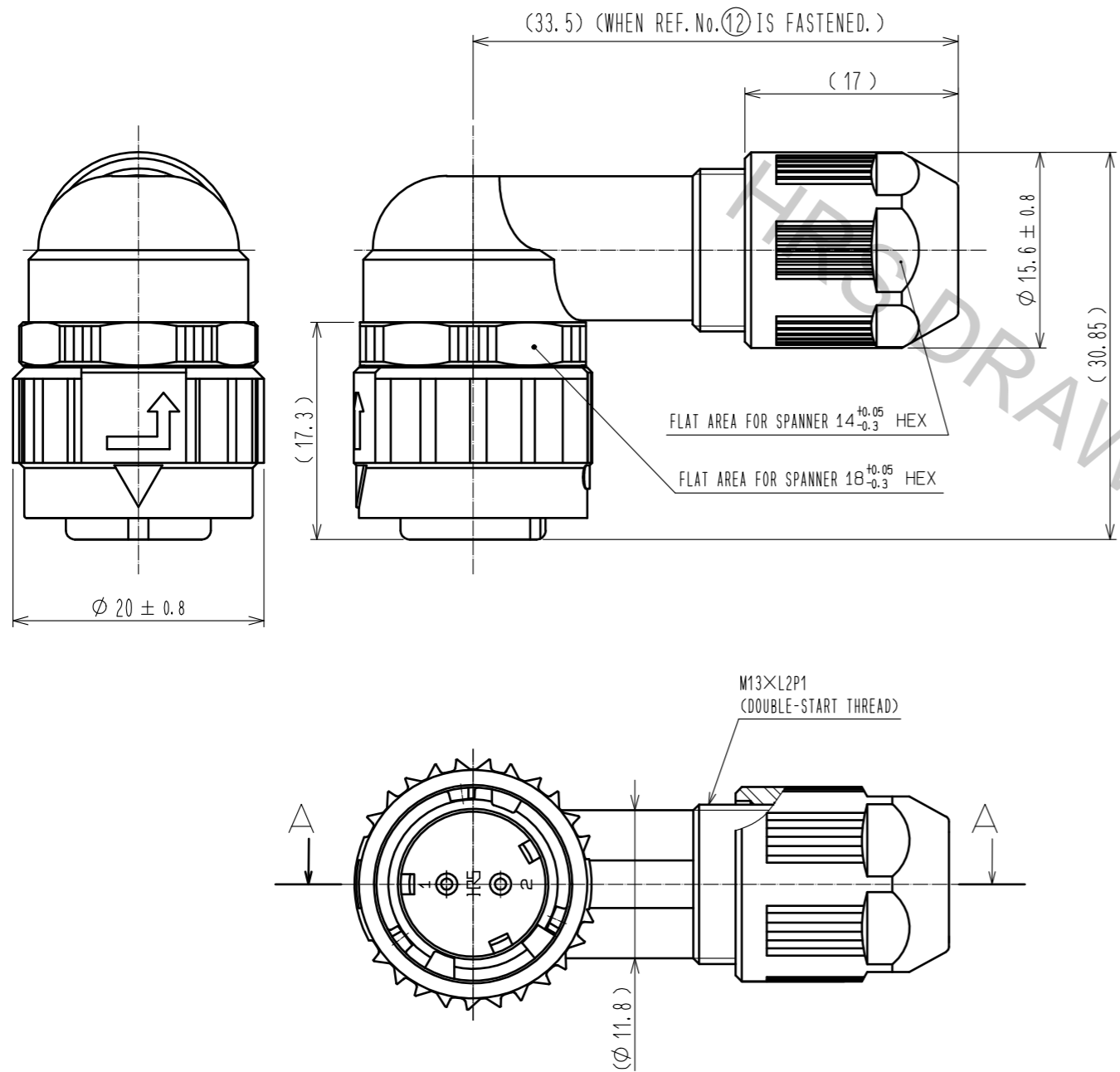


Aug.1.2018 Copyright 2018 HIROSE ELECTRIC CO., LTD. All Rights Reserved.
 In case that the application demands a high level of reliability, such as automotive,
 please contact a company representative for further information.



NOTES ① THE RECOMMENDED TIGHTENING TORQUE OF REF. NO. ④: 0.9 TO 1 N · m.
 THE RECOMMENDED ADHESIVE AND PRIMER OF REF. NO. ④: LOCTITE 243 AND LOCK PRIMER 7649 MADE BY HENKEL JAPAN LTD.
 ② THE RECOMMENDED TIGHTENING TORQUE OF REF. NO. ⑫: 0.9 TO 1 N · m.
 THE RECOMMENDED ADHESIVE AND PRIMER OF REF. NO. ⑫: LOCTITE 243 AND LOCK PRIMER 7649 MADE BY HENKEL JAPAN LTD.
 3 ROTATION EXAMPLE ARE SHOWN FOR REF. NO. ①, ④, ⑨, AND ⑫.
 4 THE CABLE PULL FORCE, TWISTING STRENGTH, WATERPROOF TIGHTNESS AND OTHER CHARACTERISTICS MAY DIFER,
 DEPENDING ON CABLE SPECIFICATIONS AND STRUCTURE. PLEASE EVALUATE UNDER THE ACTUAL CONDITIONS PRIOR THE USE.

6	PHOSPHOR BRONZE	NICKEL PLATING			
5	STAINLESS STEEL		12	POLYPHENYLENE SULFIDE	(BLACK) UL94V-0
4	ZINC ALLOY	NICKEL PLATING	11	POLYAMIDE	(WHITE) UL94V-0
3	ZINC ALLOY	NICKEL PLATING	10	HYDROGENATION ACRYLONITRILE BUTADIENE RUBBER	(BLACK)
2	PHOSPHOR BRONZE	CONTACT AREA : GOLD 0.2μm min. UNDER PLATING : NICKEL 2μm min.	9	POLYAMIDE	(BLACK) UL94V-0
			8	ACRYLONITRILE BUTADIENE RUBBER	(BLACK)
1	POLYPHENYLENE SULFIDE	(BLACK) UL94V-0	7	ACRYLONITRILE BUTADIENE RUBBER	(BLACK)
NO.	MATERIAL	FINISH . REMARKS	NO.	MATERIAL	FINISH . REMARKS
UNITS		SCALE	COUNT	DESCRIPTION OF REVISIONS	
mm		2 : 1	△	DESIGNED	CHECKED
APPROVED : HY. KOBAYASHI		18.02.26	DRAWING NO. EDC-117786-31-00		
CHECKED : HY. KOBAYASHI		18.02.26	PART NO. HR08D-12WLP-2S(31)		
DESIGNED : DS. MATSUNE		18.02.24	CODE NO. CL108-0273-2-31		
DRAWN : AI. NISHIYAMA		18.02.22	1/1		