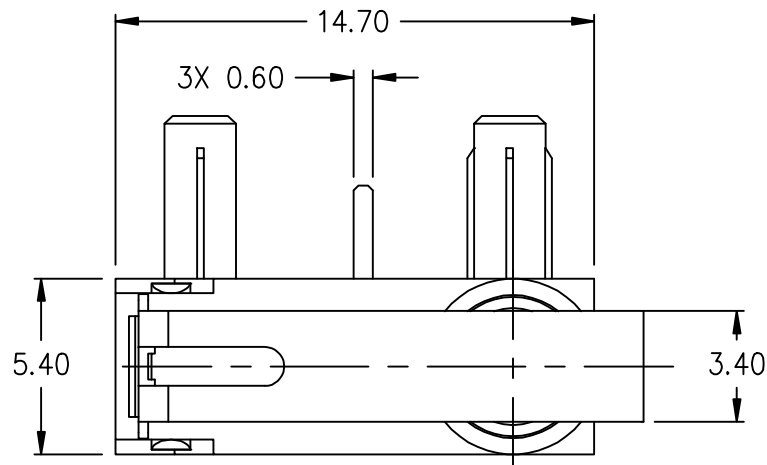
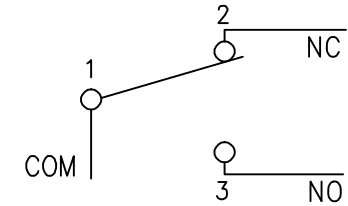


HONEYWELL
PART NUMBER
ZD30S60C02-Z
PRODUCT CODE
FBY4022

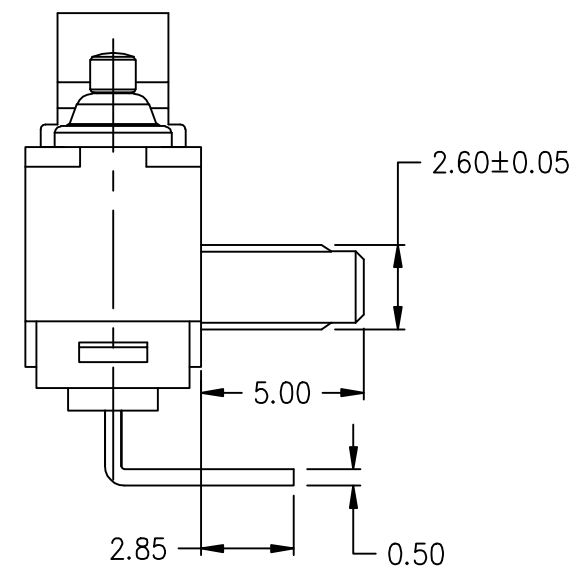
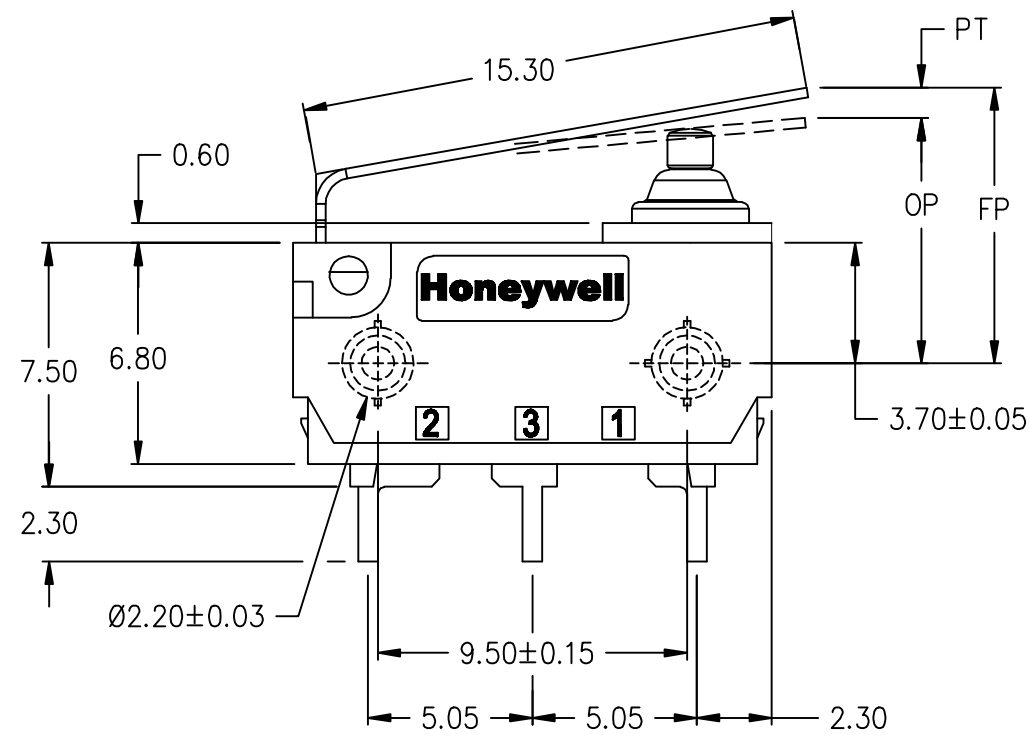
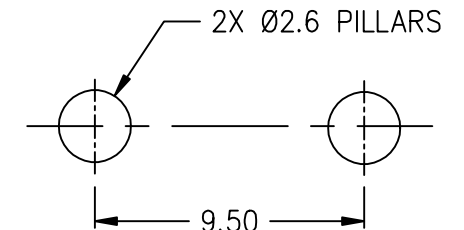
REV	DOCUMENT	CHANGED BY	CHECK
A	0077732	SBH 16JUN11	CMH



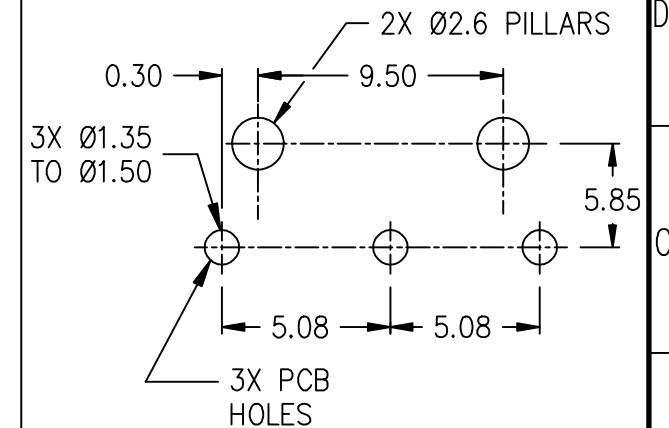
CIRCUIT DIAGRAM



MOUNTING HOLE DIMENSIONS



LEFT/RIGHT PCB TERMINALS MOUNTING HOLE



NOTES:

1. MOUNTING HOLES WILL ACCEPT Ø2.6 MAX PINS.
2. SWITCH PROTECTION IS IP67 IF EXCLUDE THE TERMINALS.

CHARACTERISTICS		ELECTRICAL DATA		DESIGN UNITS: MM		DRAWN		<b>Honeywell</b>	
OPERATING FORCE: 195gf MAX.		CONTACT ARRANGEMENT: S.P.D.T.		TOLERANCES UNLESS NOTED:		SBH 25MAY11			
DIFFERENTIAL FORCE:		PROTECTION: IP00 (SEE NOTE 2)		NO PLACES X ± -		CHECK		TITLE: SWITCH - BASIC	
RELEASE FORCE: 25gf MIN.		RATINGS		ONE PLACE .X ± 0.40		PJ 25MAY11			
FREE POSITION:		0.1A 48VDC 125/250VAC		TWO PLACE .XX ± -		THIS DRAWING COVERS A PROPRIETARY ITEM AND IS THE PROPERTY OF HONEYWELL. THIS DRAWING IS NOT TO BE COPIED OR USED WITHOUT THE PERMISSION OF HONEYWELL.		SIZE: A3	
OPERATING POSITION: 7.4±0.6MM.		3A 12VDC		THREE PLACE .XXX ± -		INTERPRET PER ASME Y14.5M-1994 OTHER HONEYWELL ENGINEERING STANDARDS MAY APPLY			
PRE-TRAVEL: 3.5MM MAX.		µ 40T85 1E5		ANGLES X ± 2'		DRAWING NAME: ZD30S60C02-Z		REV: A	
DIFFERENTIAL TRAVEL: 0.6MM MAX.		THIRD ANGLE PROJECTION		AUTOCAD 2D		SCALE: NONE		SHEET: 1 OF 1	
OVER-TRAVEL: 1.35MM MIN.		FULL OVERTRAVEL FORCE:							