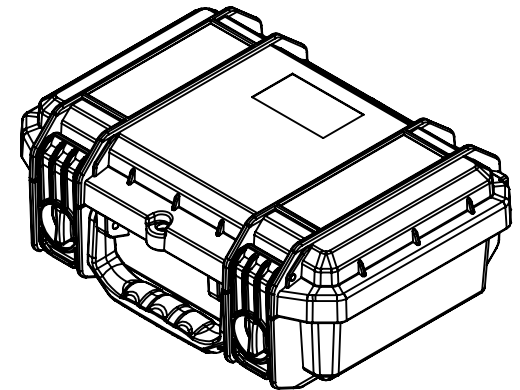
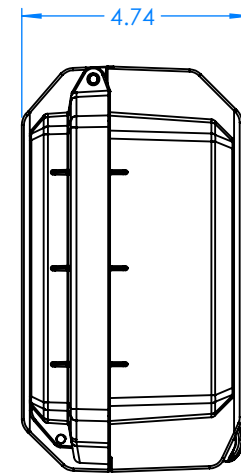
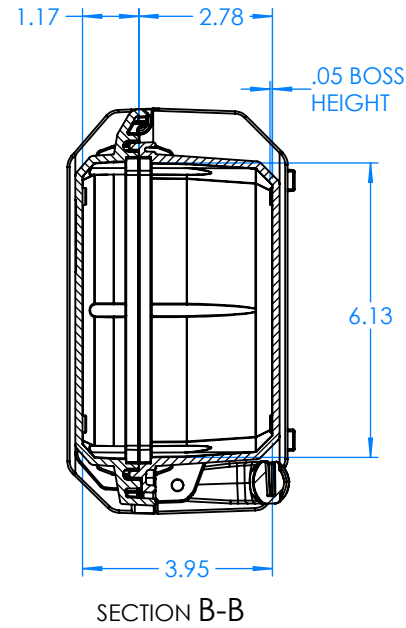
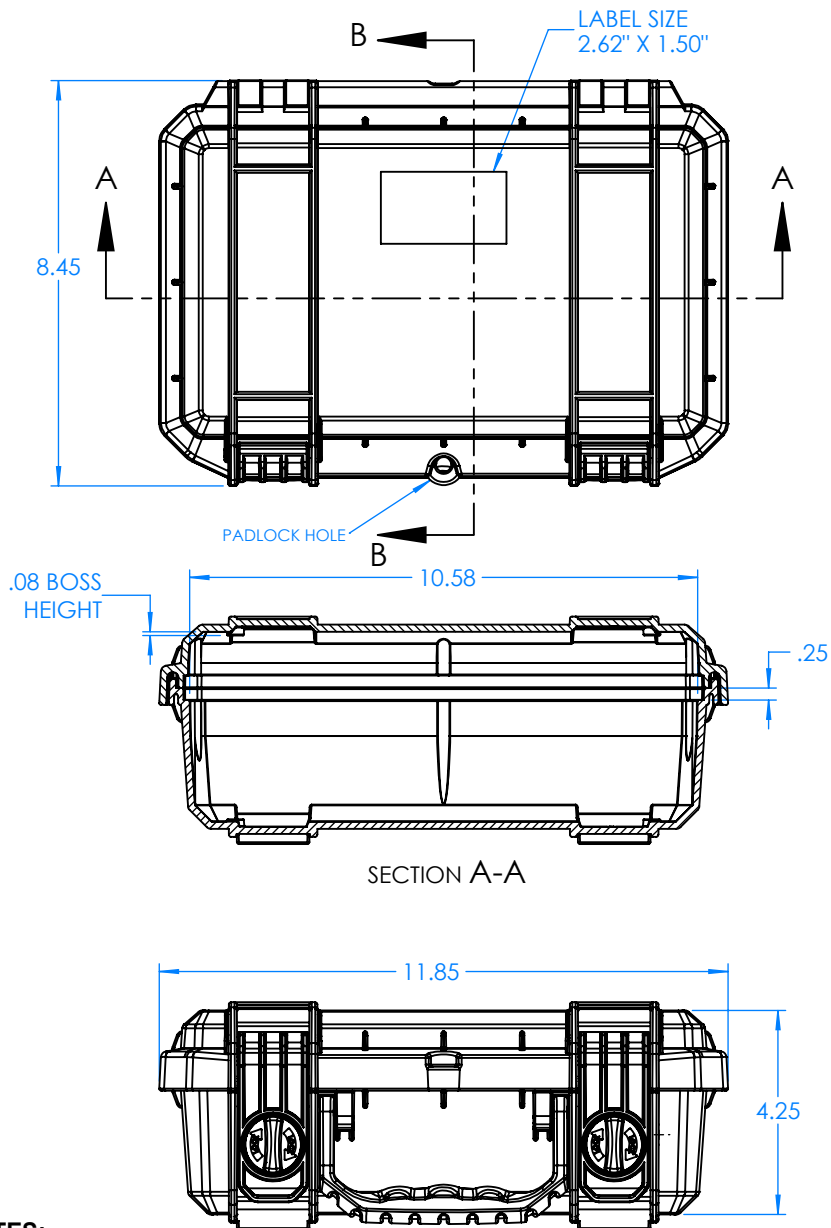
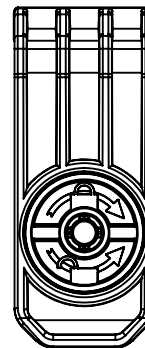


SERPAC²³⁰

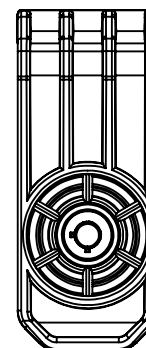
Electronic Enclosures



PLL
PLASTIC LATCH
WITH LOCK



MLL
METAL LATCH
WITH LOCK



OPTIONAL LATCHES MUST BE
SPECIFIED AT TIME OF ORDER.
SEE NOTE 2

NOTES:

- 1) Maximum usable inside dimensions are:
10.58" X 6.13" X 3.95"
- 2) Plastic Latch Lock p/n 7002PL
Metal Latch Lock p/n 7002ML