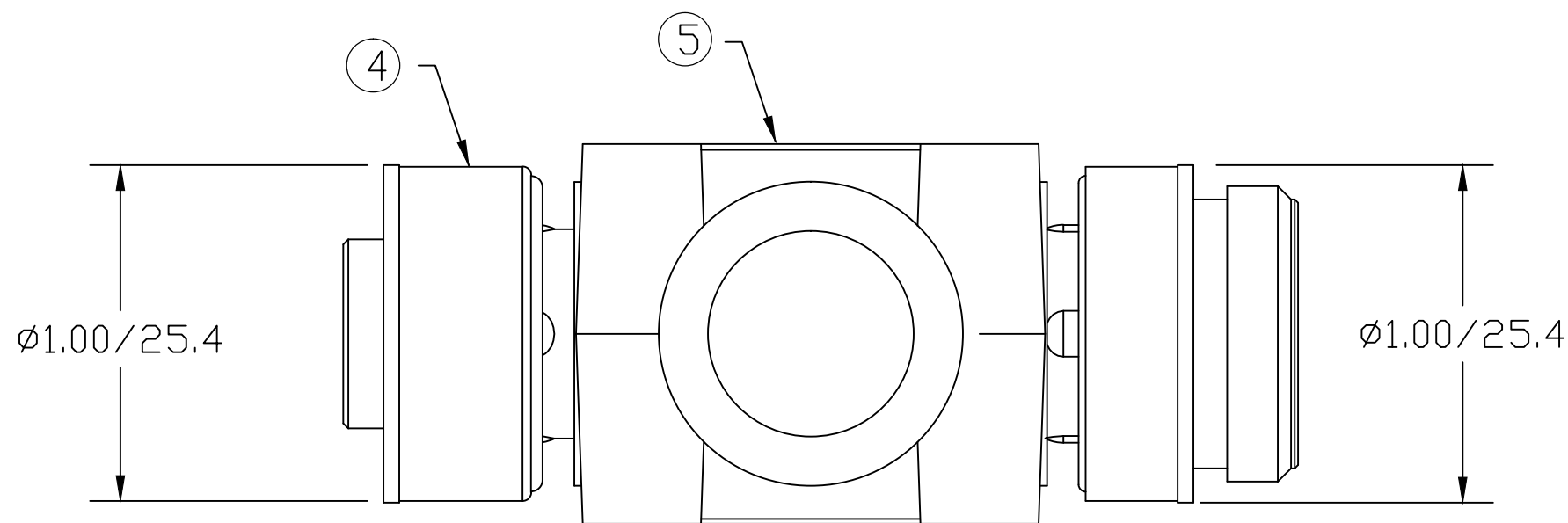
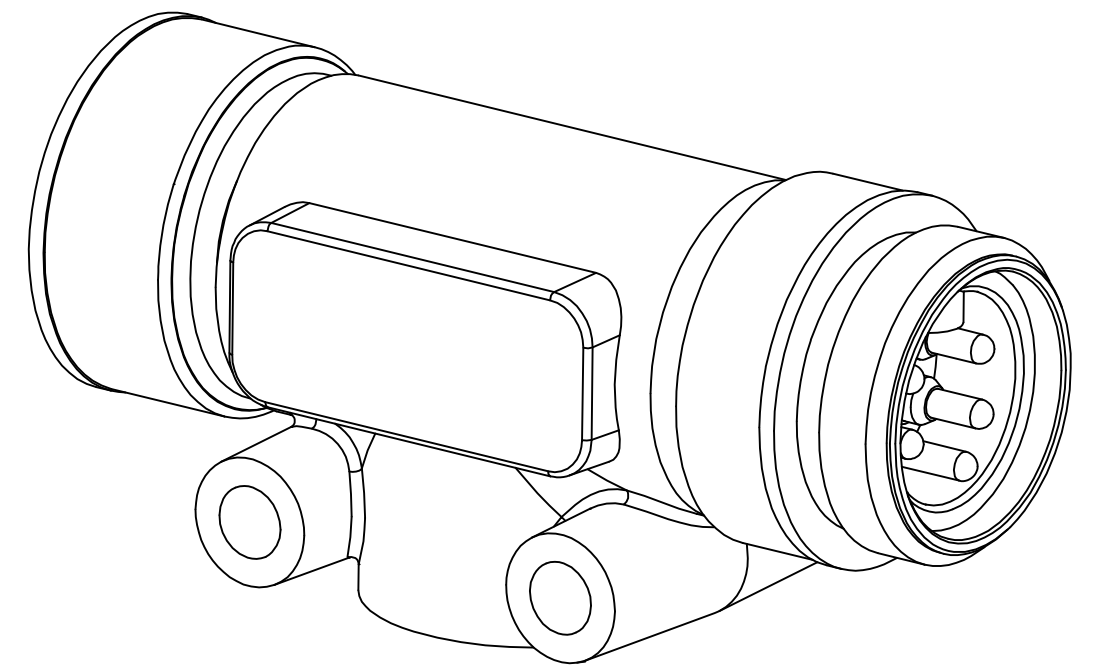
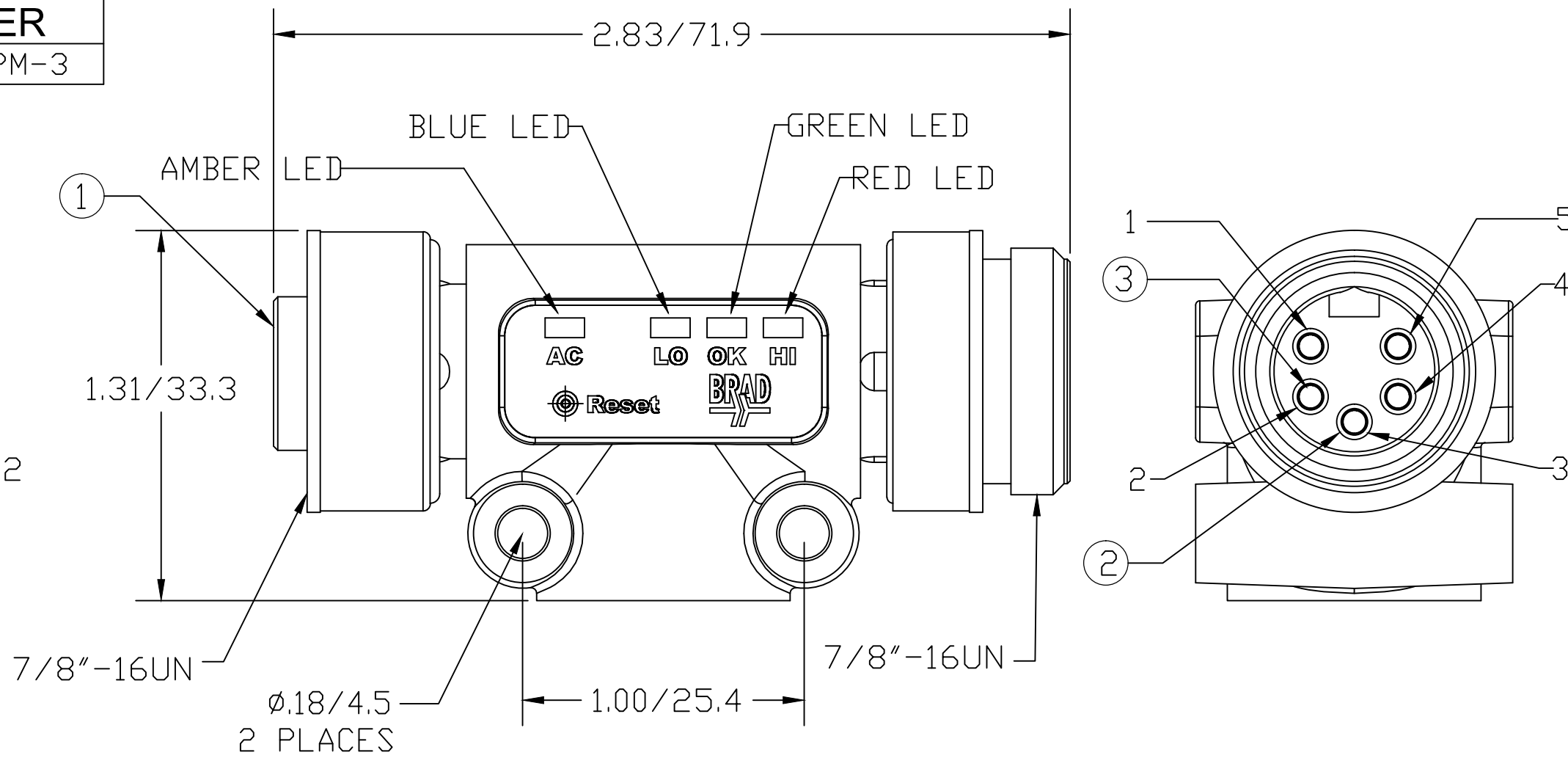
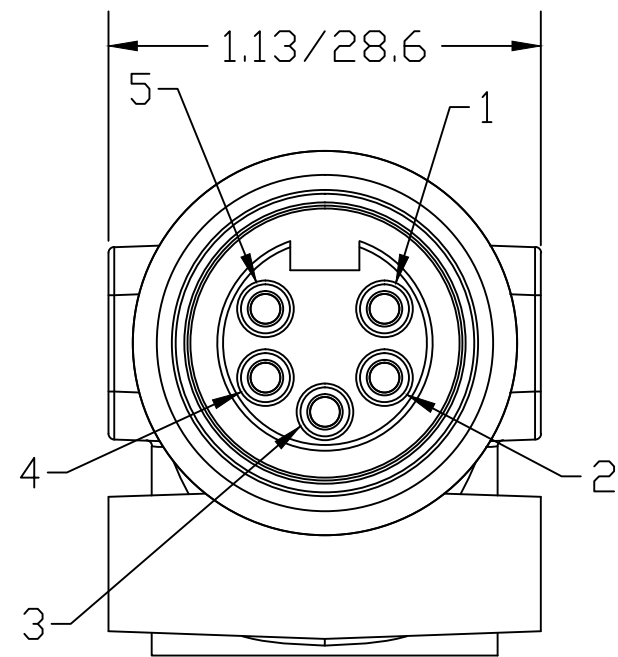
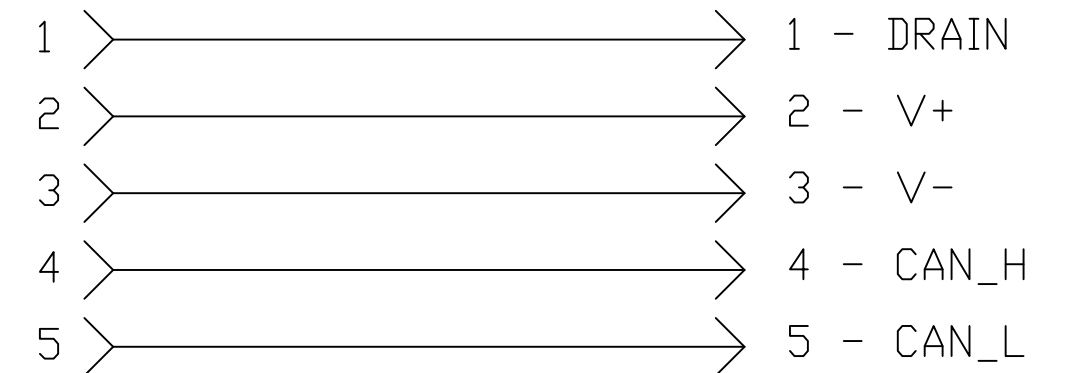


| MATERIAL NUMBER | OLD PART NUMBER |
|-----------------|-----------------|
| 130035-0008 | 115011A-PM-3 |



SCHEMATIC



LED FUNCTIONALITY:

- SOLID GREEN LED = BUS VOLTAGE >12.90 AND ≤ 24.78
- FLASHING GREEN LED = BUS VOLTAGE WITHIN LIMITS OF SOLID GREEN OPERATION, BUT POWER HAS BEEN CYCLED WITHIN PREVIOUS 24 HRS
- FLICKERING RED LED = BUS VOLTAGE >24.78 (GREATER THAN 25.3 TO GUARANTEE DETECTION)
- FLASHING RED LED = BUS VOLTAGE >24.78 (25.3) WITHIN PREVIOUS 24 HRS
- FLICKERING BLUE LED = BUS VOLTAGE <12.90 (12.4)
- FLASHING BLUE LED = BUS VOLTAGE <12.90 (12.4) WITHIN PREVIOUS 24 HRS
- FLICKERING AMBER LED = BUS VOLTAGE HAS A REPEATED TRANSIENT VOLTAGE (BETWEEN 10Hz AND 250Hz) PRESENT THAT EXCEEDS THE DETECTION THRESHOLD (THRESHOLD LEVEL VARIES BY FREQUENCY)
- FLASHING AMBER LED = BUS VOLTAGE HAS EXPERIENCED A TRANSIENT OR RIPPLE AS SPECIFIED FOR FLICKERING AMBER CONDITION WITH PREVIOUS 24 HRS

| | |
|-----------------------|---|
| VOLTAGE RATING | 30 VDC |
| PROTECTION | IP67 |
| OPERATING TEMPERATURE | -20°C TO 80°C |

| ITEM | COMPONENT | MATERIAL | FINISH |
|------|----------------|---------------|------------------|
| 1 | INSERT | TPE | GRAY |
| 2 | CONTACT SOCKET | COPPER ALLOY | GOLD OVER NICKEL |
| 3 | CONTACT PIN | COPPER ALLOY | GOLD OVER NICKEL |
| 4 | COUPLING NUT | ZINC DIE CAST | BLACK E-COATED |
| 5 | OVERMOLD | TPE | GRAY |

| | | |
|---------------------|-------------|------------------------|
| EC NO: IPG2014-0219 | 8/5/13 | QUALITY SYMBOL |
| DRWN: KJOZWIK | DESCRIPTION | $\blacktriangledown=0$ |
| CHKD: YOU | REV | $\nabla=0$ |
| APPR: JFMURPHY | 2010/01/20 | |

| GENERAL TOLERANCES (UNLESS SPECIFIED) | |
|--|--------------------------|
| | IN/MM |
| 4 PLACES | ± 0.13 / ± 0.005 |
| 3 PLACES | ± 0.25 / ± 0.010 |
| 2 PLACES | ± 0.50 / ± 0.020 |
| 1 PLACE | ± 1.27 / ± 0.050 |
| ANGULAR $\pm 1/2^{\circ}$ | |
| DRAFT WHERE APPLICABLE MUST REMAIN WITHIN DIMENSIONS | |

| DIMENSION STYLE | |
|-----------------|------------|
| IN/MM | |
| DRAWN BY | DATE |
| KJOZWIK | 2010/01/19 |
| CHECKED BY | DATE |
| BWOODMAN | 2010/01/19 |
| APPROVED BY | DATE |
| JFMURPHY | 2010/01/20 |
| MATERIAL NO. | |
| SEE TABLE | |
| SIZE | |
| C | |

| SCALE | DESIGN UNITS | THIRD ANGLE PROJECTION | |
|---|--------------|------------------------|--|
| 1:1 | INCH | | |
| DNET POWER MONITOR INLINE DEVICENET | | | |
| MOLEX INCORPORATED | | | |
| DOCUMENT NO. | | SHEET NO. | |
| SD-130035-010 | | 1 OF 1 | |
| THIS DRAWING CONTAINS INFORMATION THAT IS PROPRIETARY TO MOLEX INCORPORATED AND SHOULD NOT BE USED WITHOUT WRITTEN PERMISSION | | | |