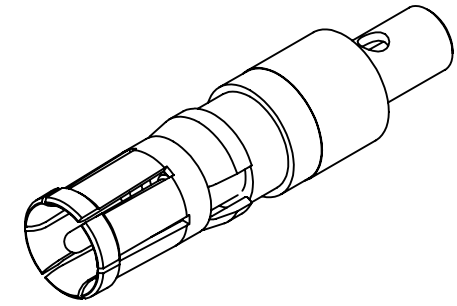
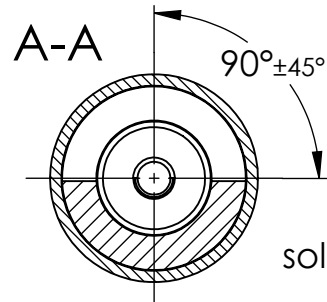
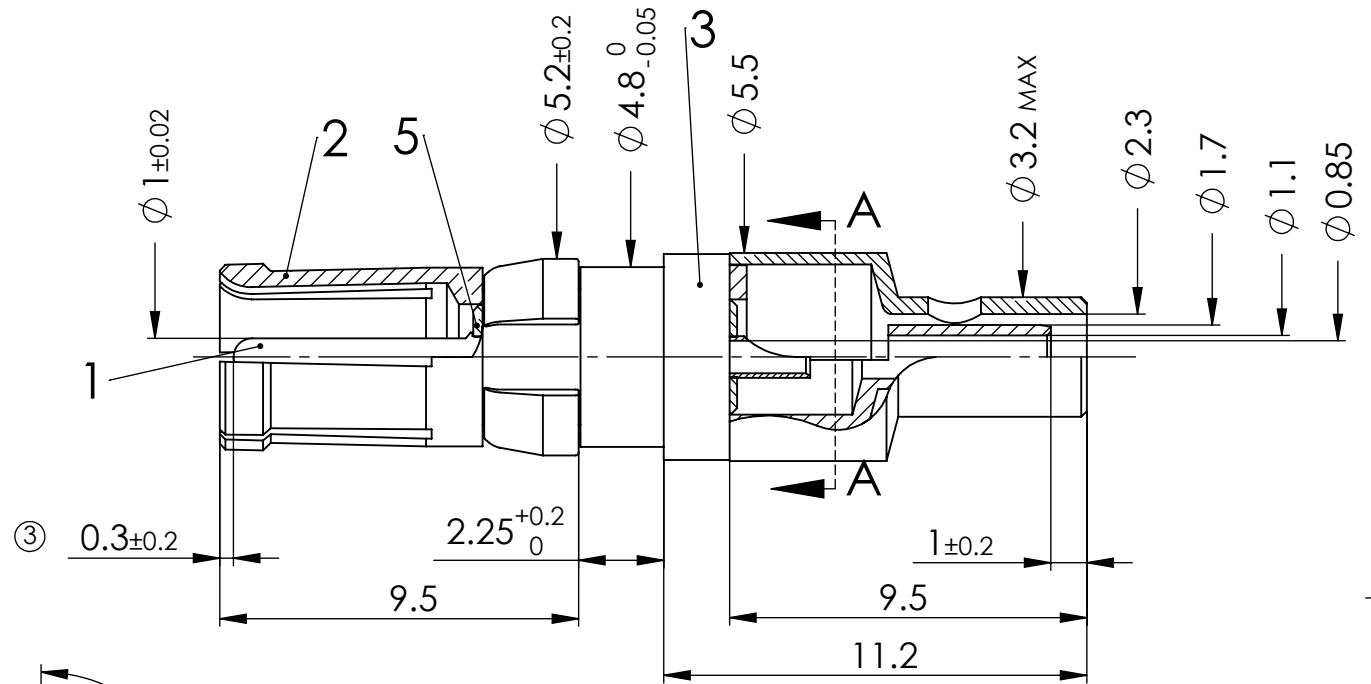
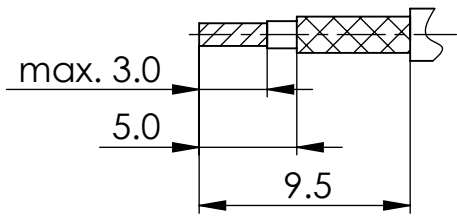


COMMENT:
 ALL RIGHTS ARE RESERVED BY US FOR THIS DRAWING. WITHOUT OUR PRIOR CONSENT,
 IT MAY NEITHER BE DUPLICATED NOR MADE AVAILABLE TO A THIRD PARTY,
 AND IT ALSO MAY NOT BE IMPROPERLY USED BY TE RECEIVER, OR A THIRD PARTY.



Cable dimensions



solderpot position

Text No. W-2

FCT tools:

Crimping of outer conductor:

Hand tool: M22520/5-01
 Die: Y1535P cavity C

Pneumatic crimp tool: HX23 (replacement for PH4001) ②

Extraction tool: DRK38

IMPEDANCE		50 Ohm	COAXIAL CONTACT		SCALE	CABLE	
FOR		D-SUB			5:1	RG178BU, RG196AU, RG404U	
DIMENSIONS IN MM			DRAWN	NAME / DATE		DATA SHEET	
MATERIAL + FINISH SEE EXTRA SHEET			CHECKED	ffuhrmann 29-05-2006			
UNLESS OTHERWISE SPECIFIED DIMENSIONS FOR REFERENCE ONLY					sschref 12-05-2015		
3	12-05-2015	23755	FCT a molex company		PART NO.		REV.
REV.	DATE	INDEX			FMX005S		3
ORIGINAL: DIN A4-DRAWING AS A FILE					REPLACEMENT FOR:		PAGE: 1/1