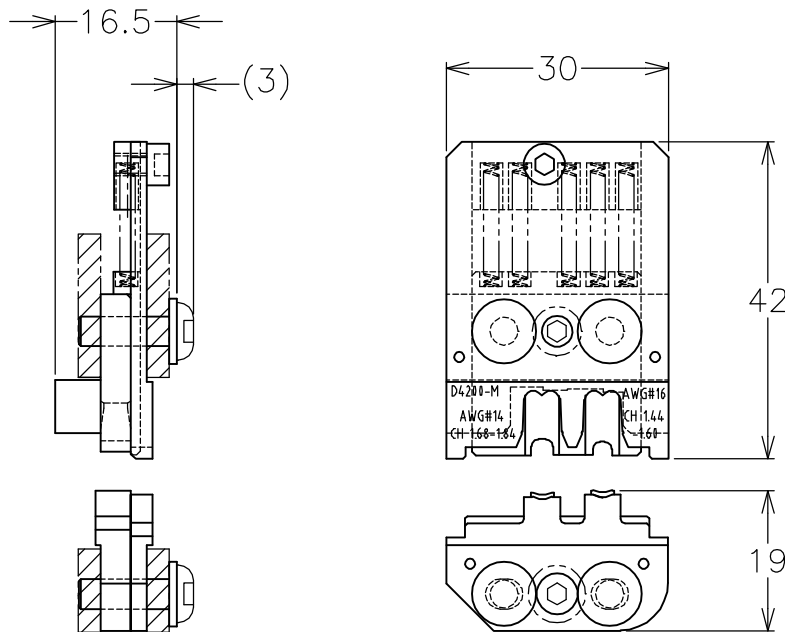


LOC J	DIST —	REVISIONS 変更					
		P	LTR	DESCRIPTION	DATE	DWN	APVD
			A	RELEASED	17MAR06	S.N	S.Y

-1: AS SHOWN



THIS DRAWING IS UNPUBLISHED.

RELEASED FOR PUBLICATION

ALL RIGHTS RESERVED.

BY TYCO ELECTRONICS CORPORATION.

© COPYRIGHT

TERMINAL No.	WIRE SIZE AWG#	INS. RANGE (mm)	WIRE CRIMP HEIGHT (mm)	IS. No.
1747499	#16	φ2.0-φ3.2	1.44-1.60	411-78229
1747501	#14	φ2.80-φ3.75	1.68-1.84	

DIMENSIONS: 単位: 耗 mm	DWN	S.NAKA	17.MAR.2006	MATERIAL	—	FINISH	—			
	CHK	S.NAKA	17.MAR.2006	Tyco Electronics AMP K.K. Kawasaki, Japan						
TOLERANCES UNLESS OTHERWISE SPECIFIED: 一般公差	APVD	S.YABE	17.MAR.2006					NAME 名称 DIE ASSY		
	0 PLC	± -	PRODUCT SPEC 製品規格	—	SIZE					
1 PLC	± -	APPLICATION SPEC 取付適用規格	114-5369	CAGE CODE	00779	DRAWING NO 番号	C-1762675	RESTRICTED TO	—	
2 PLC	± -	WEIGHT	90 g	SCALE				1:1		
3 PLC	± -	CUSTOMER DRAWING				SHEET		1 OF 1	REV	A
4 PLC	± -					尺度		1:1		
ANGLES	± -					REV		A		