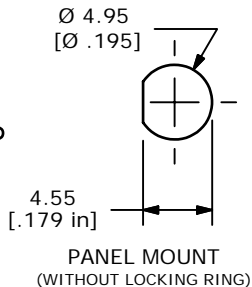
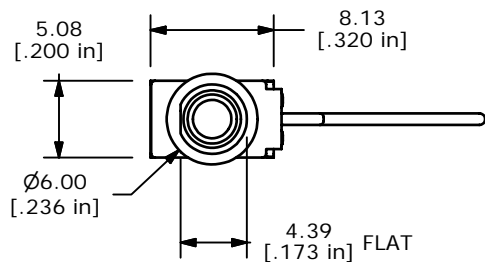
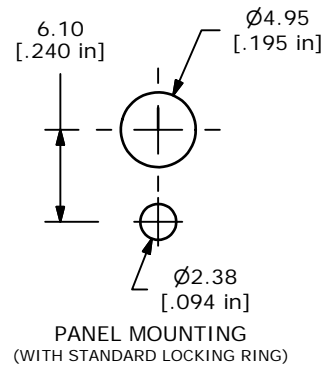


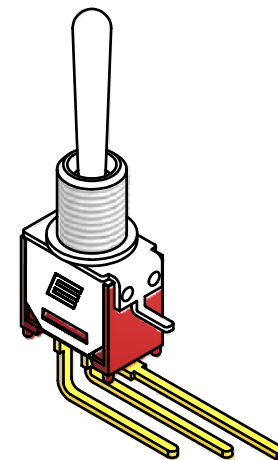
P.C. MOUNTING



PANEL MOUNT (WITHOUT LOCKING RING)



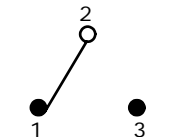
PANEL MOUNTING (WITH STANDARD LOCKING RING)



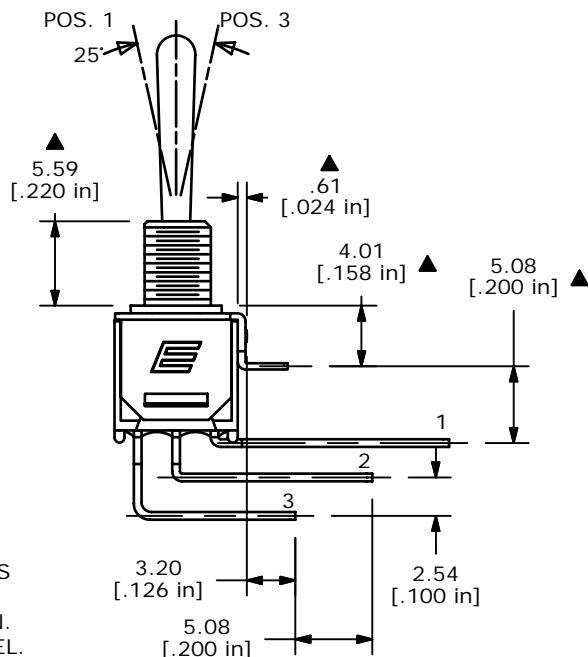
ISOMETRIC

SWITCH FUNCTION		
POS. 1	POS. 2	POS. 3
(ON)	NONE	ON
2-1	OPEN	2-3

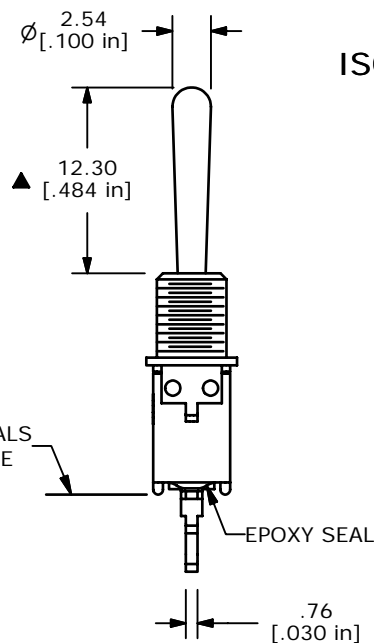
(ON) = MOMENTARY



CIRCUIT: SPDT



NO EPOXY ON TERMINALS BELOW THIS SURFACE



- NOTE:
- ALL DIMENSIONS IN MM [INCH]
 - GENERAL TOLERANCE: X.X=±0.4
X.XX=±0.25
 - TERMINAL NUMBERS FOR REF ONLY
 - PLATING MATERIAL: SILVER
 - RATING: 1A @ 250 V (AC or DC)
3A @ 120VAC or 28VDC
 - ELECTRIC LIFE: 30,000 MAKE-AND-BREAK CYCLES AT FULL LOAD.
 - INSULATION RESISTANCE: 1,000 MEGA-OHM MIN.
 - DIELECTRIC STRENGTH: 1,000 V RMS @SEA LEVEL.
 - OPERATING TEMP.: -30°C to 85°C
 - ▲ DENOTES CRITICAL PARAMETER.
 - 2002/95/EC (ROHS) COMPLIANT

E-SWITCH®

A	17908	RELEASED FOR PRODUCTION	12/27/08	BLR
REV	PCR NO	DESCRIPTION	DATE	BY

TITLE 200MSP5T4B1M7QE				
SCALE	DATE	DR	DWG	REV
2:1	1/2/2008	BLR	T211108	A

THE INFORMATION CONTAINED IN THIS DOCUMENT IS PROPRIETARY TO E-SWITCH AND IS NOT TO BE COPIED OR TRANSFERRED