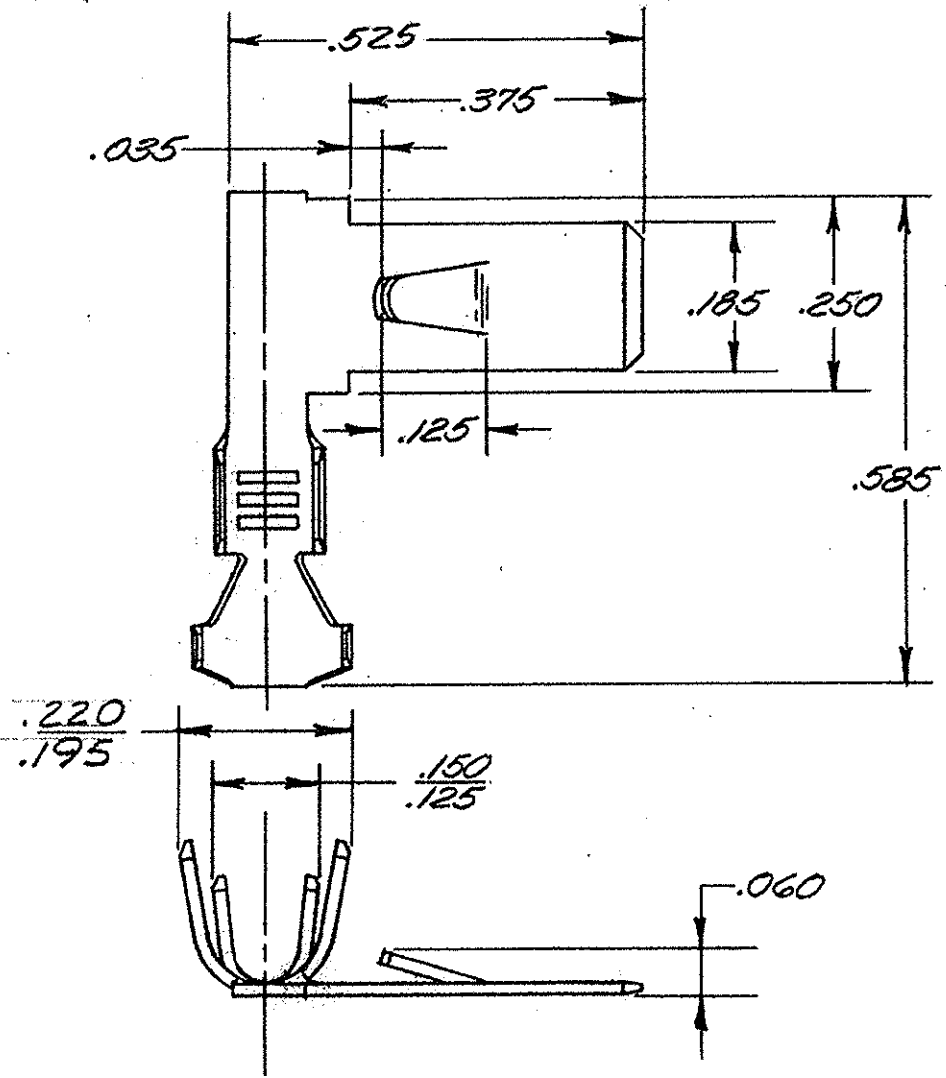



© COPYRIGHT 1977 BY AMP INCORPORATED, HARRISBURG, PA. ALL INTERNATIONAL RIGHTS RESERVED. AMP INCORPORATED PRODUCTS COVERED BY U.S. AND FOREIGN PATENTS OR PATENTS PENDING.

REVISIONS			
LTR	DESCRIPTION	DATE	APPROVED
A	RELEASED	4-29-77	<i>[Signature]</i>
B	REVISED IHS BBL A-3712	9/15/77	<i>[Signature]</i>

UNPUBLISHED COPYRIGHTED REPRODUCED NOT PERMITTED WITHOUT WRITTEN PERMISSION OF AMP INCORPORATED



CONTINUOUS STRIP ON REELS	.080-.128	#18-#14	62588-1
	INSULATION RANGE	WIRE SIZE	PART NO

UNLESS OTHERWISE SPECIFIED DIMENSIONS ARE IN INCHES. TOLERANCES ON: DECIMALS ±.015 ANGLES ±	CONTRACT NO	 AMP INCORPORATED Harrisburg, Pa.	
	DR <i>G.R. Delibaugh 1/5/77</i>		
MATERIAL BRASS .016 THK.	CHK <i>D. Schwartz 1-7-77</i>	SIZE A	CODE IDENT NO 00779
FINISH — # —	APPD <i>J. Swartz 1-7-77</i>	DRAWING NO 62588	DRAWING NO 62588
	DSGN APPD	SCALE — # —	SHEET — # —
	OTHER APPD		