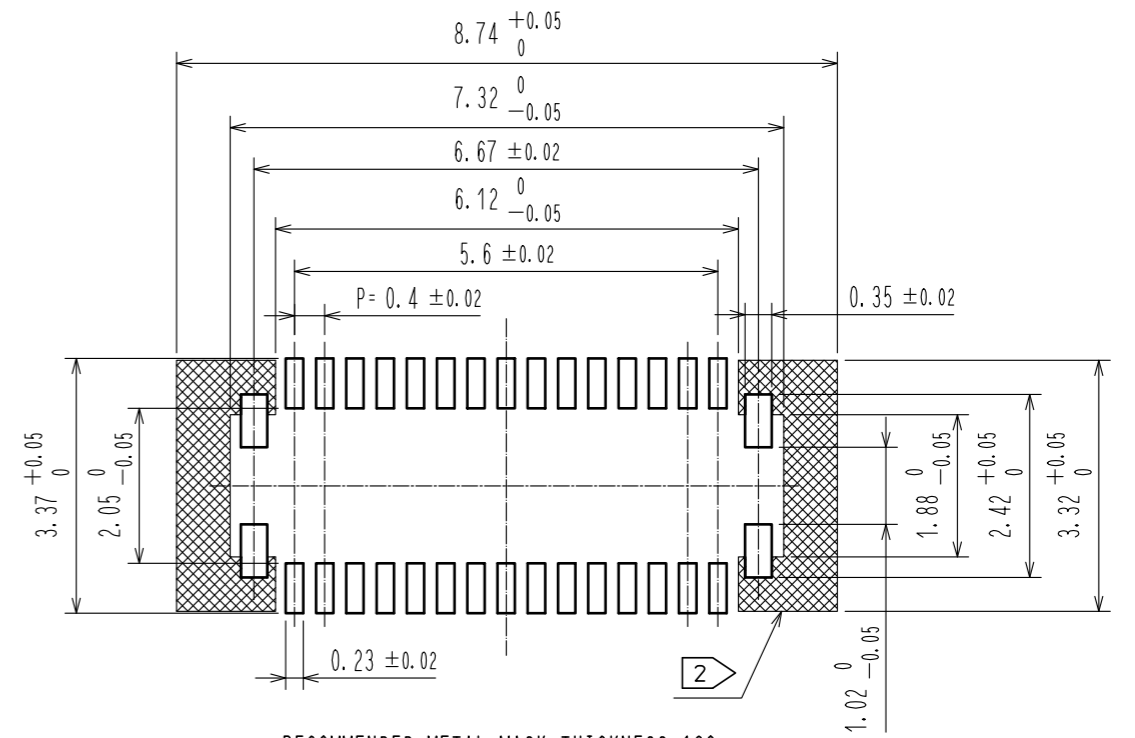
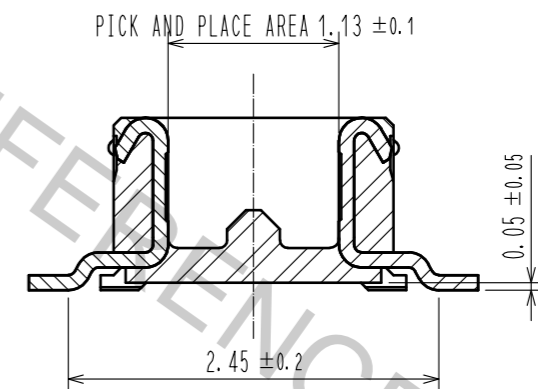


RECOMMENDED PATTERN(FREE)



RECOMMENDED METAL MASK THICKNESS: 120 μm  
RECOMMENDED MASK OPENING RATIO: 80% FOR LEAD PAD

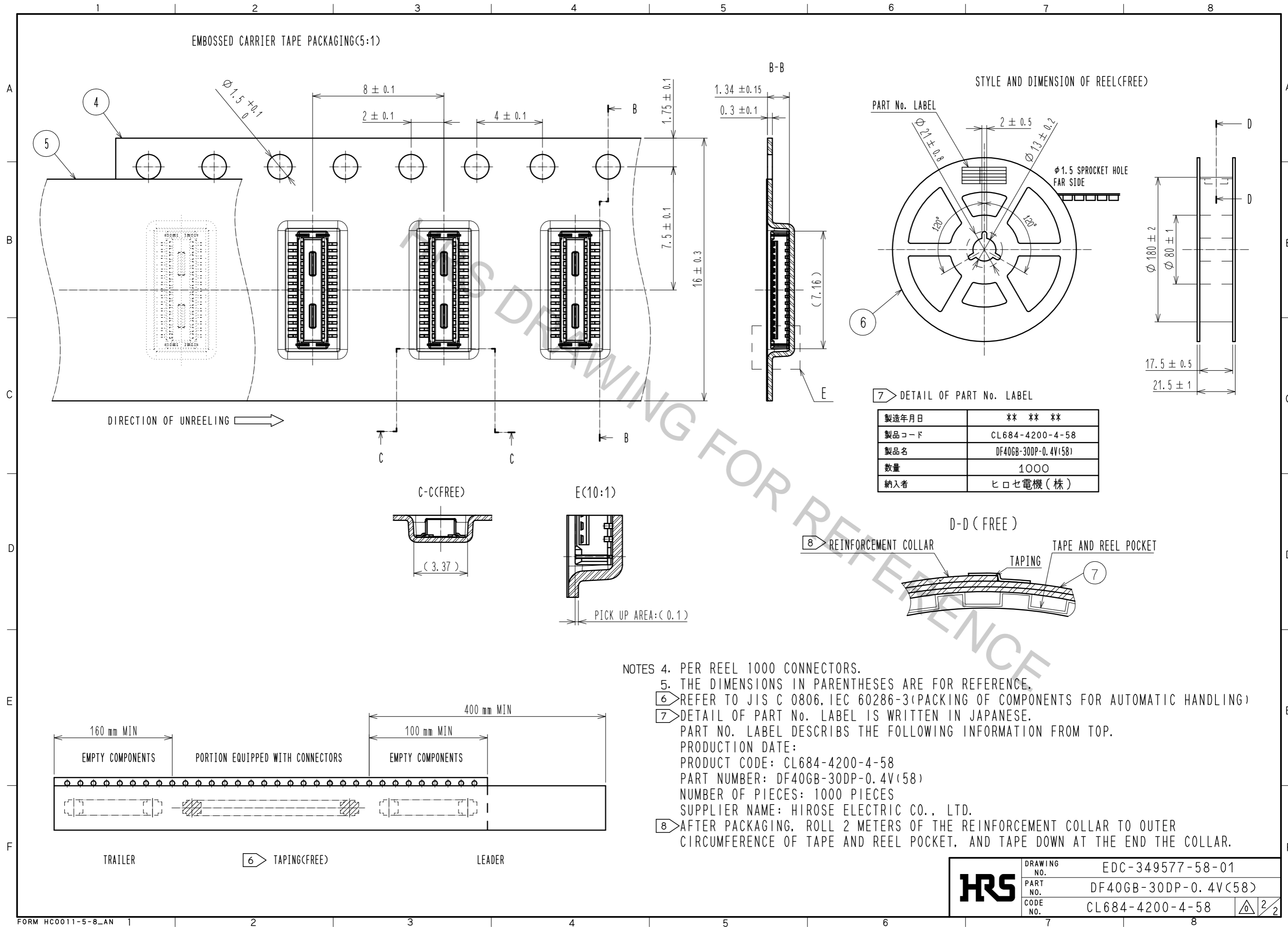
A-A  
(20:1)



- NOTES
1. ALL LEADS METAL FITTINGS CO-PLANARITY SHALL BE 0.1mm MAX.
  2. IS NON-CONDUCTIVE AREA.
  3. HRS MARK AND CAV NO. IS INDICATED IN APPROXIMAL POSITION SHOWN. THE INDICATION COULD BE ON THE UPPER SURFACE OF DESIGN ON THE CONNECTOR.

2	PHOSPHOR BRONZE	CONTACT AREA: Au 0.05 μm MIN	7	PS	CLEAR(REINFORCEMENT COLLAR)			
		SMT LEAD: Au 0.05 μm MIN	6	PS	BLACK(PLASTIC REEL)			
		UNDERPLATING: NICKEL 1 μm MIN	5	POLYESTER	CLEAR(COVER TAPE)			
1	LCP	BLACK, UL94V-0	4	PS	CLEAR(EMBOSSED CARRIER TAPE)			
NO.	MATERIAL	FINISH . REMARKS	NO.	MATERIAL	FINISH . REMARKS			
			3	PHOSPHOR BRONZE	CONTACT AREA: Au 0.05 μm MIN			
					SMT LEAD: Au 0.05 μm MIN			
					UNDERPLATING: NICKEL 1 μm MIN			
UNITS		SCALE	COUNT	DESCRIPTION OF REVISIONS		DESIGNED	CHECKED	DATE
mm		10:1						
<b>HRS</b> HIROSE ELECTRIC CO., LTD.		APPROVED : MO. ISHIDA	15.07.01	DRAWING NO.		EDC-349577-58-01		
		CHECED : TS. MIYAZAKI	15.07.01	PART NO.		DF40GB-30DP-0.4V(58)		
		DESIGNED : SH. HOSODA	15.07.01	CODE NO.		CL684-4200-4-58		
		DRAWN : KR. AJITO	15.07.01			1/2		

EMBOSED CARRIER TAPE PACKAGING(5:1)



- NOTES
- PER REEL 1000 CONNECTORS.
  - THE DIMENSIONS IN PARENTHESES ARE FOR REFERENCE.
  - REFER TO JIS C 0806, IEC 60286-3(PACKING OF COMPONENTS FOR AUTOMATIC HANDLING)
  - DETAIL OF PART No. LABEL IS WRITTEN IN JAPANESE.  
PART No. LABEL DESCRIBES THE FOLLOWING INFORMATION FROM TOP.  
PRODUCTION DATE:  
PRODUCT CODE: CL684-4200-4-58  
PART NUMBER: DF40GB-30DP-0.4V(58)  
NUMBER OF PIECES: 1000 PIECES  
SUPPLIER NAME: HIROSE ELECTRIC CO., LTD.
  - AFTER PACKAGING, ROLL 2 METERS OF THE REINFORCEMENT COLLAR TO OUTER CIRCUMFERENCE OF TAPE AND REEL POCKET, AND TAPE DOWN AT THE END THE COLLAR.

<b>HRS</b>	DRAWING NO.	EDC-349577-58-01
	PART NO.	DF40GB-30DP-0.4V(58)
	CODE NO.	CL684-4200-4-58
		2/2