
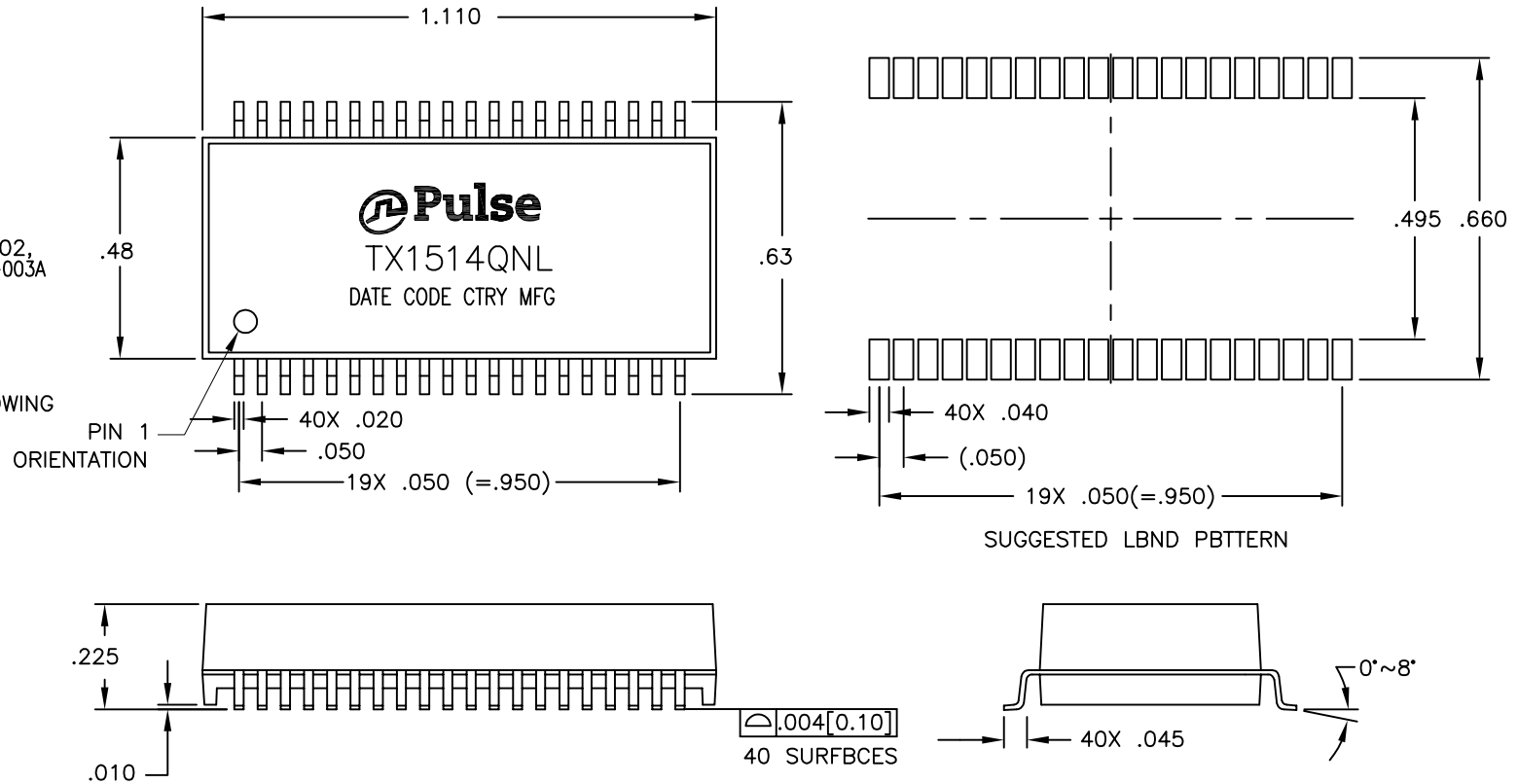


NOTES: UNLESS OTHERWISE SPECIFIED

1.

NOTICE:	THIS IS A RoHS COMPLIANT COMPONENT/PRODUCT. ALL ENGINEERING CHANGES MUST HAVE PRIOR APPROVAL BY THE DESIGN CENTER.
RoHS 	

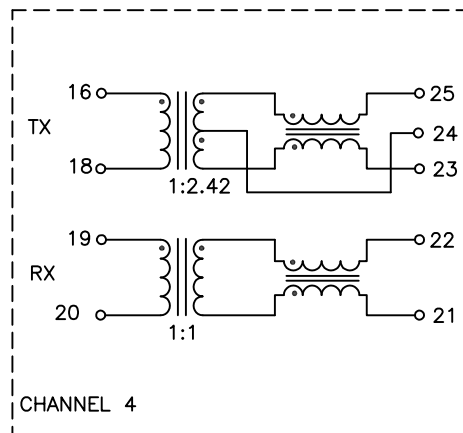
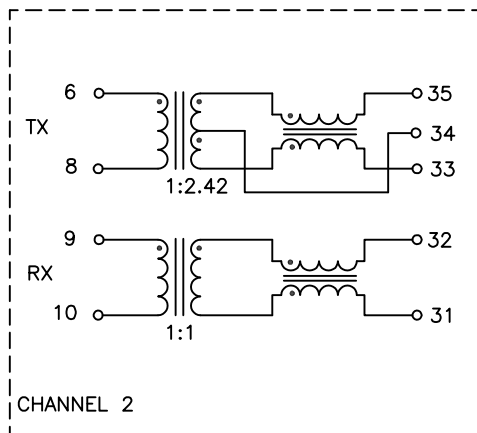
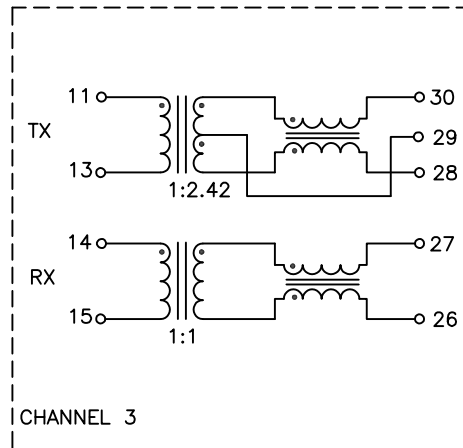
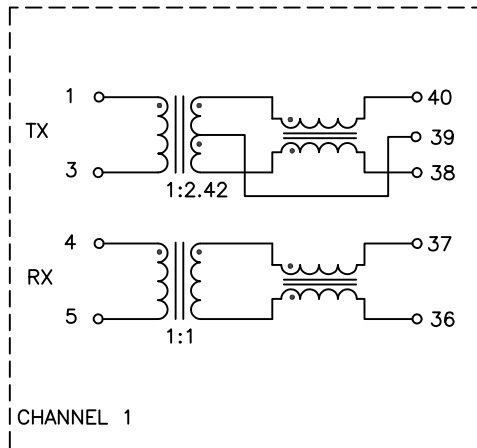
2. PLASTIC: THERMOSET PLASTIC MATERIAL WITH FLAMMABILITY RATING UL 94V-0 OR BETTER.
3. SOLDERABILITY: CONFORMS TO ANSI/J-STD-002, 245°C REFLOW PEAK TEMPERATURE PER IPC/EIA J-STD-003A
4. OPERATING TEMPERATURE: -40°C TO +85°C
5. STORAGE TEMPERATURE: -50°C TO +125°C
6. JEDEC MOISTURE: LEVEL 1.
7. DIMENSIONS ARE IN INCHES WITH THE FOLLOWING TOLERANCES:  
.XX= ±.02  
.XXX= ±.010



© Copyright, 2013. Pulse Electronics Corp. All rights reserved. Drawing specifications subject to change without notice. (08/07/13)

PULSE CONFIDENTIAL & PROPRIETARY	PRODUCT DESCRIPTION	PS DRAWING	SHEET:	DWG. NO./ PART NO.	REV.
	XFMR+CHOKE,OCT,T1,40PIN,1:2.42,1:1,NL	PS-0002.002-B	1	TX1514QNL	M15

ELECTRICAL CHARACTERISTICS AT +25°C



No.	PARAMETER	SPECIFICATION
1	TURNS RATIO: @10KHz, 0.02VRMS:	$\frac{40-38}{1-3} = \frac{35-33}{6-8} = \frac{30-28}{11-13} = \frac{25-23}{16-18} = 2.42 \pm 2\%$ $\frac{37-36}{4-5} = \frac{32-31}{9-10} = \frac{27-26}{14-15} = \frac{22-21}{19-20} = 1.0 \pm 2\%$
2	INDUCTANCE (OCL): @10KHz, 0.1VRMS	$(1-3)=(4-5)=(6-8)=(9-10) = 1.0 \text{ mH MIN}$ $(11-13)=(14-15)=(16-18)=(19-20) = 1.0 \text{ mH MIN}$
3	LEAKAGE INDUCTANCE (LL) @100 KHz, 0.02 VRMS	$(1-3) \text{ WITH } (40-38) \text{ SHORTED} = 1.0 \text{ uH MAX}$ $(4-5) \text{ WITH } (37-36) \text{ SHORTED} = 1.0 \text{ uH MAX}$ $(6-8) \text{ WITH } (35-33) \text{ SHORTED} = 1.0 \text{ uH MAX}$ $(9-10) \text{ WITH } (32-31) \text{ SHORTED} = 1.0 \text{ uH MAX}$ $(11-13) \text{ WITH } (30-28) \text{ SHORTED} = 1.0 \text{ uH MAX}$ $(14-15) \text{ WITH } (27-26) \text{ SHORTED} = 1.0 \text{ uH MAX}$ $(16-18) \text{ WITH } (25-23) \text{ SHORTED} = 1.0 \text{ uH MAX}$ $(19-20) \text{ WITH } (22-21) \text{ SHORTED} = 1.0 \text{ uH MAX}$
4	CWW @ 100 KHz, 0.02 VRMS	$(1-3) \text{ TO } (40-38) = 35 \text{ pF MAX}$ $(4-5) \text{ TO } (37-36) = 35 \text{ pF MAX}$ $(6-8) \text{ TO } (35-33) = 35 \text{ pF MAX}$ $(9-10) \text{ TO } (32-31) = 35 \text{ pF MAX}$ $(11-13) \text{ TO } (30-28) = 35 \text{ pF MAX}$ $(14-15) \text{ TO } (27-26) = 35 \text{ pF MAX}$ $(16-18) \text{ TO } (25-23) = 35 \text{ pF MAX}$ $(19-20) \text{ TO } (22-21) = 35 \text{ pF MAX}$
5	DCR	$(1-3)=(4-5)=(6-8)=(9-10) = 0.8 \text{ OHMS MAX}$ $(11-13)=(14-15)=(16-18)=(19-20) = 0.8 \text{ OHMS MAX}$
6	HIPOT (Pri TO Sec)	1500 VRMS FOR 60 SECONDS