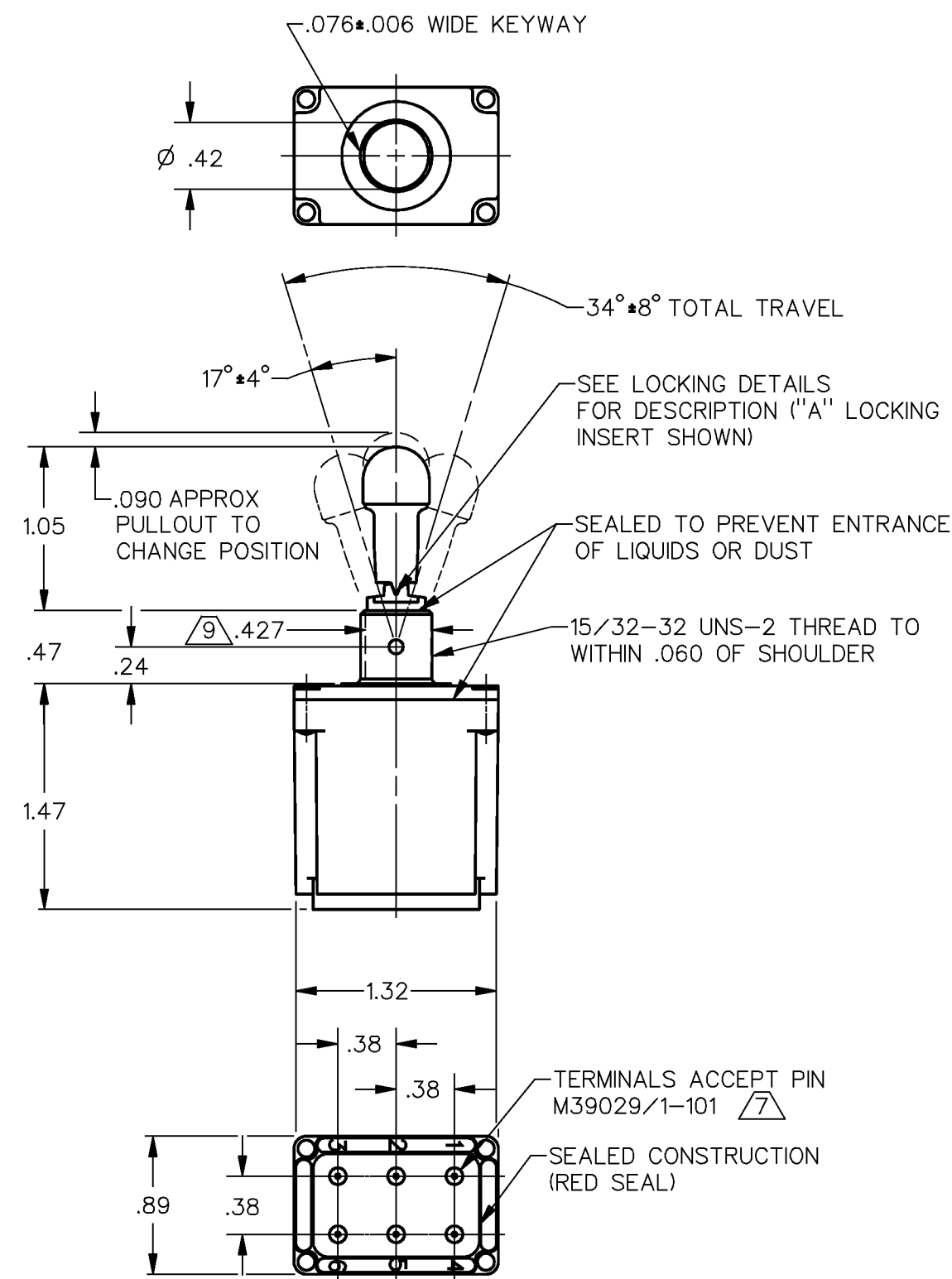


HONEYWELL
PART NUMBER

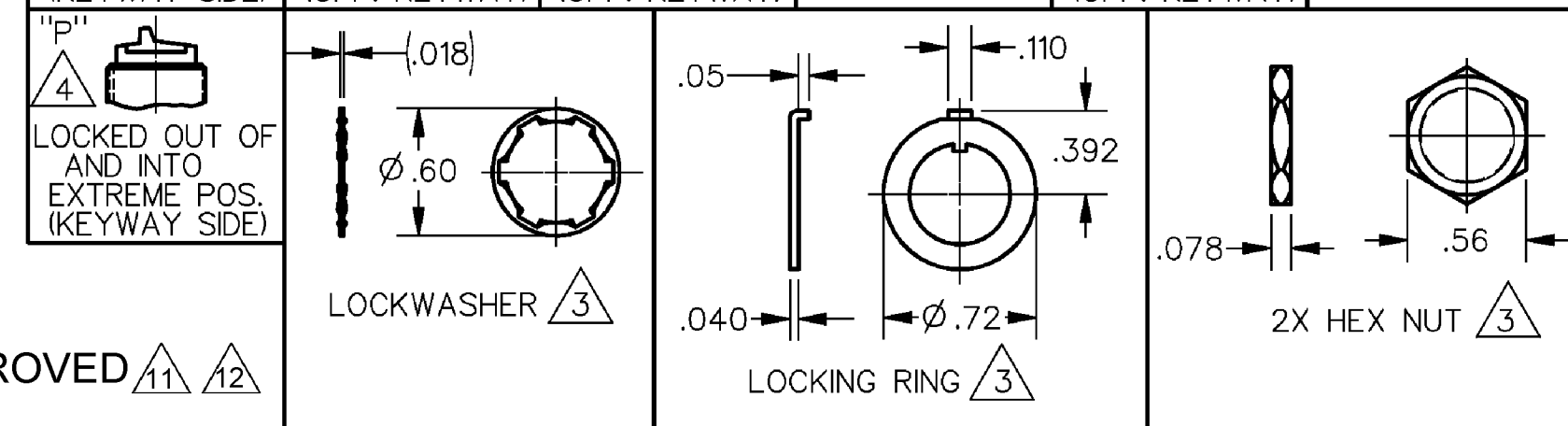
102TL2887 SERIES CHART 2

| REV | DOCUMENT | CHANGED BY | CHECK |
|-----|----------|-------------|-------|
| 5 | 0008691 | KSR 25OCT04 | AK |



| CATALOG LISTING (5) | AVAILABLE LOCKING COMBINATIONS FOR CONFIGURATION SEE LETTERED DETAILS | CIRCUIT MADE WITH TOGGLE LEVER IN (6) | | | ELECTRICAL RATING |
|---------------------|---|---------------------------------------|-------------------|----------------------------|---------------------|
| | | KEYWAY SIDE (1-2, 4-5) | CENTER (1-2, 4-5) | OPPOSITE KEYWAY (2-3, 5-6) | |
| 102TL2887-1 | A,B,D,E,F,G,H,J,K,L,M,N,P | ON | OFF | ON | .1A 28 VDC, 115 VAC |
| 102TL2887-2 | D,F,G | OFF | NONE | ON | |
| 102TL2887-3 | D*,F,G | ON | NONE | ON | |
| 102TL2887-21 | E,F,K,M | NONE | OFF | ON | |
| 102TL2887-31 | E,F,K,M | NONE | ON | ON | |
| 102TL2887-4 | F | MOM OFF | NONE | ON | |
| 102TL2887-5 | E,F,K,L,M,N | MOM ON | OFF | ON | |
| 102TL2887-6 | F | MOM ON | NONE | OFF | |
| 102TL2887-7 | E,L,N | MOM ON | OFF | MOM ON | |
| 102TL2887-8 | F | MOM ON | NONE | ON | |
| 102TL2887-51 | E | NONE | ON | MOM ON | |
| 102TL2887-61 | E | MOM ON | OFF | NONE | |

| | | | | | |
|---|---|---|--|---|--|
| "A" (4) | "B" (4) | "D" (4) | "E" (4) | "F" (4) | "G" (4) |
| LOCKED IN THREE POSITIONS | LOCKED IN CENTER AND EXTREME POS. (KEYWAY SIDE) | LOCKED OUT OF CENTER POSITION | LOCKED IN CENTER POSITION | LOCKED IN EXTREME POS. (OPP. KEYWAY) | LOCKED IN EXTREME POS. (KEYWAY SIDE) |
| "H" (4) | "J" (4) | "K" (4) | "L" (4) | "M" (4) | "N" (4) |
| LOCKED OUT OF CENTER AND EXTREME POS. (KEYWAY SIDE) | LOCKED OUT OF CENTER AND EXTREME POS. (OPP. KEYWAY) | LOCKED IN CENTER AND EXTREME POS. (OPP. KEYWAY) | LOCKED OUT OF EXTREME POS. (KEYWAY SIDE) | LOCKED OUT OF AND INTO EXTREME POS. (OPP. KEYWAY) | LOCKED OUT OF EXTREME POS. (OPP. KEYWAY) |



* FAA-PMA APPROVED (11) (12)

NOTES

- 1 - SWITCHES ARE CAPABLE OF WITHSTANDING A TEMPERATURE OF 160° F CONTINUOUSLY AT FULL RATED LOAD
- 2 - CIRCUIT DESIGNATION, AND MICRO SWITCH CATALOG LISTING MARKED ON SIDE OF SWITCH
- (3) FURNISHED UNASSEMBLED
- (4) KEYWAY SHOWN ON LEFT SIDE
- (5) SUFFIX LETTER MUST BE ADDED FOR DESIRED TYPE OF TOGGLE LOCKING, SEE CHART FOR AVAILABLE LOCKING COMBINATIONS
- (6) APPLIES ONLY TO "ON" AND "MOM ON" POSITIONS
- (7) THE SEALING GROMMET SHALL SEAL ON A SMOOTH WIRE INSULATION OF .040 TO .083 DIAMETERS (16-20 GAGE)
- 8 - UNUSED TERMINAL HOLES MAY BE SEALED WITH PLUGS M83723/28-20
- (9) FROM BOTTOM OF KEYWAY TO MAJOR Ø OF 15/32 THREAD
- 10 - GOLD PLATED CONTACTS
- (11) FAA-PMA TO BE MARKED ON THESE SWITCHES
- (12) FOR MANUFACTURING DETAIL SEE THE CORRESPONDING ASSEMBLY DRAWING FOR EACH LISTING FOR FAA-PMA

| | | | | |
|---|--|-------------------------|--|-----------|
| DESIGN UNITS: INCH TOLERANCES UNLESS NOTED: | DRAWN KSR 25OCT04 | Honeywell | | |
| NO PLACE .X ± 0.040 ONE PLACE .X ± 0.030 TWO PLACE .XX ± 0.015 THREE PLACE .XXX ± 0.005 FOUR PLACE .XXXX ± 0.0005 ANGLES ± 2 | CHECK AK 25OCT04 | | | |
| THIRD ANGLE PROJECTION | THIS DRAWING COVERS A PROPRIETARY ITEM AND IS THE PROPERTY OF HONEYWELL. THIS DRAWING IS NOT TO BE COPIED OR USED WITHOUT THE PERMISSION OF HONEYWELL. | | TITLE SWITCH - TOGGLE | |
| | INTERPRET PER ASME Y14.5M-1994 OTHER HONEYWELL ENGINEERING STANDARDS MAY APPLY | | SIZE C | TYPE I |
| | RASTER | | DRAWING NAME 102TL2887 SERIES CHART 2 | REV 5 |
| | SCALE 1:1 | WEIGHT .137 LBS. MAX | SHEET 1 OF 1 | |