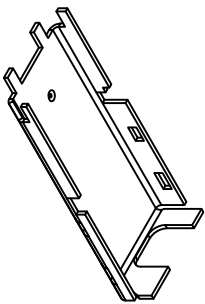
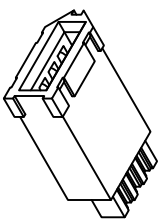


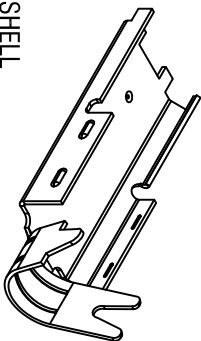
DATE	DESCRIPTION	REV.
8.9.99	CHANGE AS PER ECN 99-054	A
6.7.05	CHANGE AS PER ECN 05-030	B
12.08.10	CHANGE AS PER ECN 10-085	C
3.11.16	CHANGE AS PER ECN 16-038	D



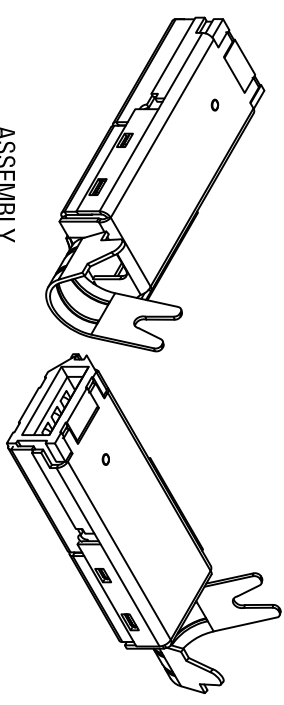
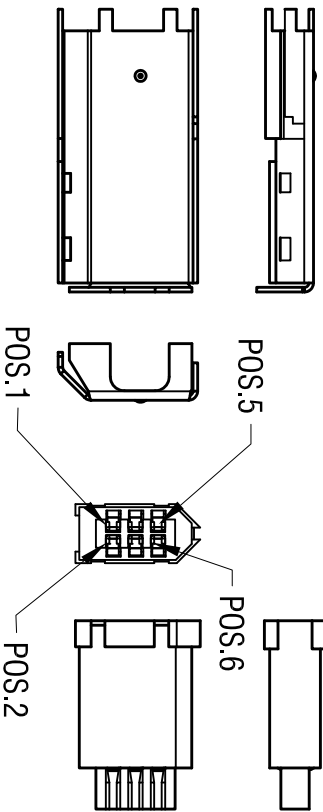
FRONT SHELL



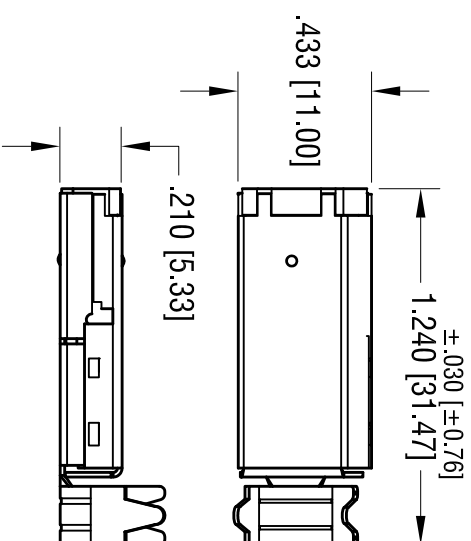
INNER HOUSING / TERMINALS



REAR SHELL



ASSEMBLY



Notes:

Shell: Mat'l: Steel,

Finish: Nickel Plate over Copper.

Insulator: Mat'l: Thermoplastic UL 94V-0

Contacts: Mat'l: Bronze

Finish: Gold Plate over Nickel Plate
on Contact Area.

Tin Plate over Nickel Plate on Solder Tail.

THIS DOCUMENT IS THE PROPERTY OF KEYSTONE ELECTRONICS CORP. AND SHALL NOT BE REPRODUCED, DISTRIBUTED OR USED AS A BASIS FOR MANUFACTURE WITHOUT PRIOR WRITTEN PERMISSION FROM KEYSTONE ELECTRONICS CORP.

KEYSTONE ELECTRONICS CORP.			
www.keystone.com • ASTORIA, N.Y. 11105-2017 • Tel (718) 956-8900			
PART NAME			
IEEE 1394 FIREWIRE PLUG			
MATERIAL			
AS NOTED			
FINISH		AS NOTED	
TOLERANCES		INCH [MM]	
DECIMAL	± .010 [± 0.25]	CODE	C
ANGULAR	± 1°	DRN BY	BOONE
UNLESS OTHERWISE SPECIFIED		DATE	5.22.98
		APP'D	LN
		DWG NO.	928
		SCALE	1.5X