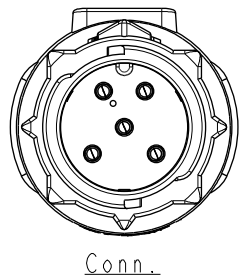
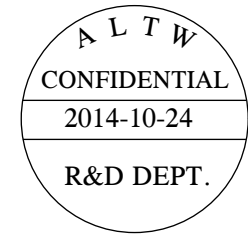
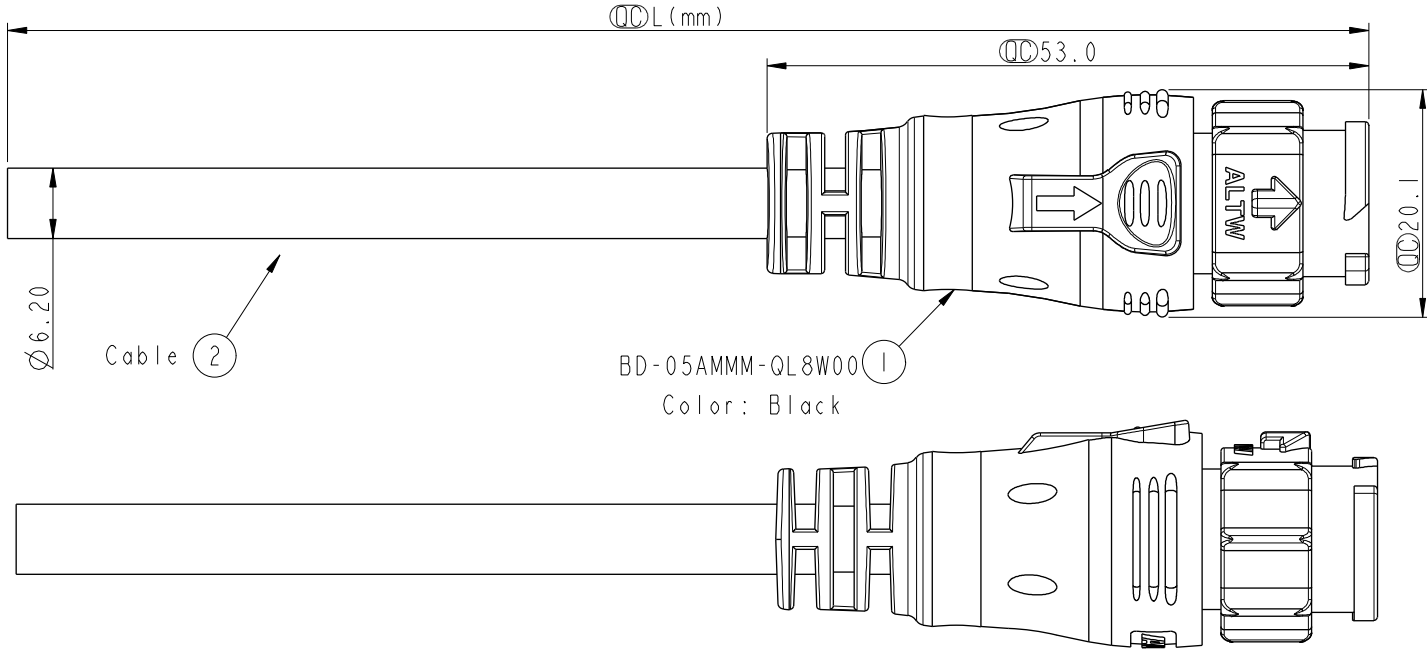


REV.	ECN NO.	DATE	SIGN	DESCRIPTION



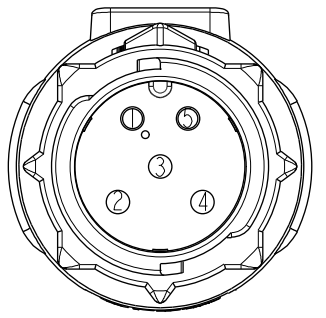
BD-05AMMM-QL8W00 1
Color: Black

BD-05AMMM-QL8DXX

XX : 01~99Meters
01 : 01Meter
02 : 02Meters
:
:
:
99 : 99Meters

Cable Length(L): 01~99Meters

- Note:
- * \varnothing Important Dimension To Check.
 - * Waterproof Rate: IP68(Mated)
 - * Working Voltage Rating: AC 300 V
 - * Working Current Rating: 5A
 - * Flame Class: UL94V-0 (UV Resistance)
 - * Housing: Nylon+GF, Black.
 - * Male Pin: Copper Alloy, Gold Plated.
 - * Cable: UL21388 20AWG*5C+AL+My
PVC Jacket UV Resistant, OD=6.2, Black.
 - * Cable Length Tolerance: 01M:±40mm
02M~05M:±60mm
06M~10M:±100mm
11M~30M:±200mm
31M~99M:±500mm



Pin Assignments
Front View



5	Yellow	黃
4	Orange	橙
3	Red	紅
2	Brown	棕
1	Black	黑
Conn.	Wire Color	
Pin Out		

UNIT:mm		
TOLERANCE .X	±0.5	

TITLE X-Lok B-Size Molding M Conn M 5 Pin			
SCALE 3:2	SIZE A4	SHEET 1	OF 1
REV. A	WC-REV. A.1	\varnothing : Inspection item	

Amphenol LTW
安費諾亮泰企業股份有限公司

ITEM NO	DRAWN BY Micky	DATE 2014-10-24
DWG NO BD-05AMMM-QL8DXX	CHECKED BY Spring	DATE 2014-10-24
CUSTOMER ALTW	APPROVED BY Kevin	DATE 2014-10-24

THIS DOCUMENT IS SUBJECT TO CHANGE WITHOUT NOTICE. IT IS CONFIDENTIAL AND A PROPERTY OF AMPHENOL LTW. DISCLOSURE TO THIRD PARTY HAS TO BE AUTHORIZED BY AMPHENOL LTW.