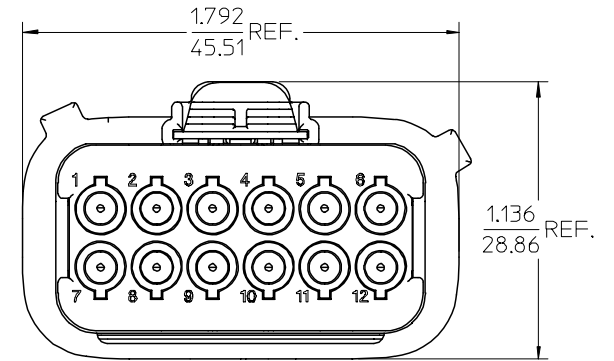
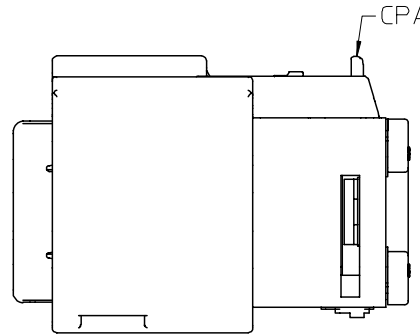
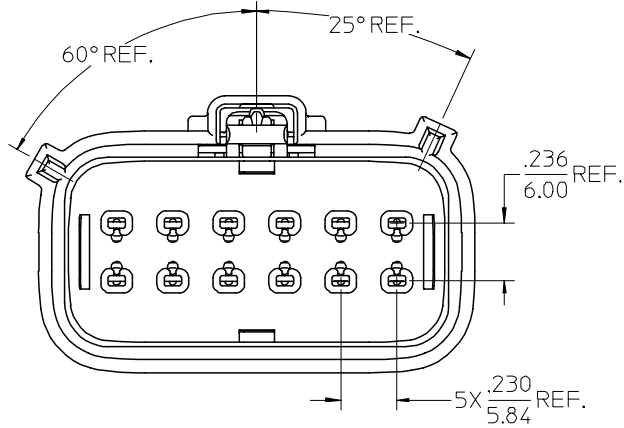


ASSEMBLED VIEW



NOTES:

1. ASSEMBLY PACKAGED PER PK-19418-001.
2. USE CONNECTOR WITH FEMALE CRIMP TERMINAL SERIES 19420.

19418-0044	16-14	NO
19418-0045	22-18	
19418-0041	16-14	YES
19418-0042	22-18	
MATERIAL NUMBER	UL WIRE AWG	CPA

RELEASED EC NO: ETL2005-0160 DRWN: JPWLICK 2005/03/15 CHKD: JPWLICK 2005/03/15 APPR: RDEROSS 2005/03/15 A	DESCRIPTION QUALITY SYMBOLS ▽=0 ▽=0	GENERAL TOLERANCES (UNLESS SPECIFIED)		DIMENSION STYLE IN/MM	SCALE 2:1	DESIGN UNITS INCH	THIRD ANGLE PROJECTION
		4 PLACES ± --- ± --- 3 PLACES ± --- ± .015 2 PLACES ± 0.38 ± --- 1 PLACE ± --- ± ---	DRAWN BY JPWLICK DATE 03/08/05	TITLE 12 WAY RECEPTACLE ASSEMBLY, KEY B POLARIZATION			
		ANGULAR ± 1 °	CHECKED BY JPWLICK DATE 03/09/05	MOLEX INCORPORATED			
		DRAFT WHERE APPLICABLE MUST REMAIN WITHIN DIMENSIONS	APPROVED BY RDEROSS DATE 03/10/05	MATERIAL NO. SEE CHART	DOCUMENT NO. SD-19418-008	SHEET NO. 1 OF 1	