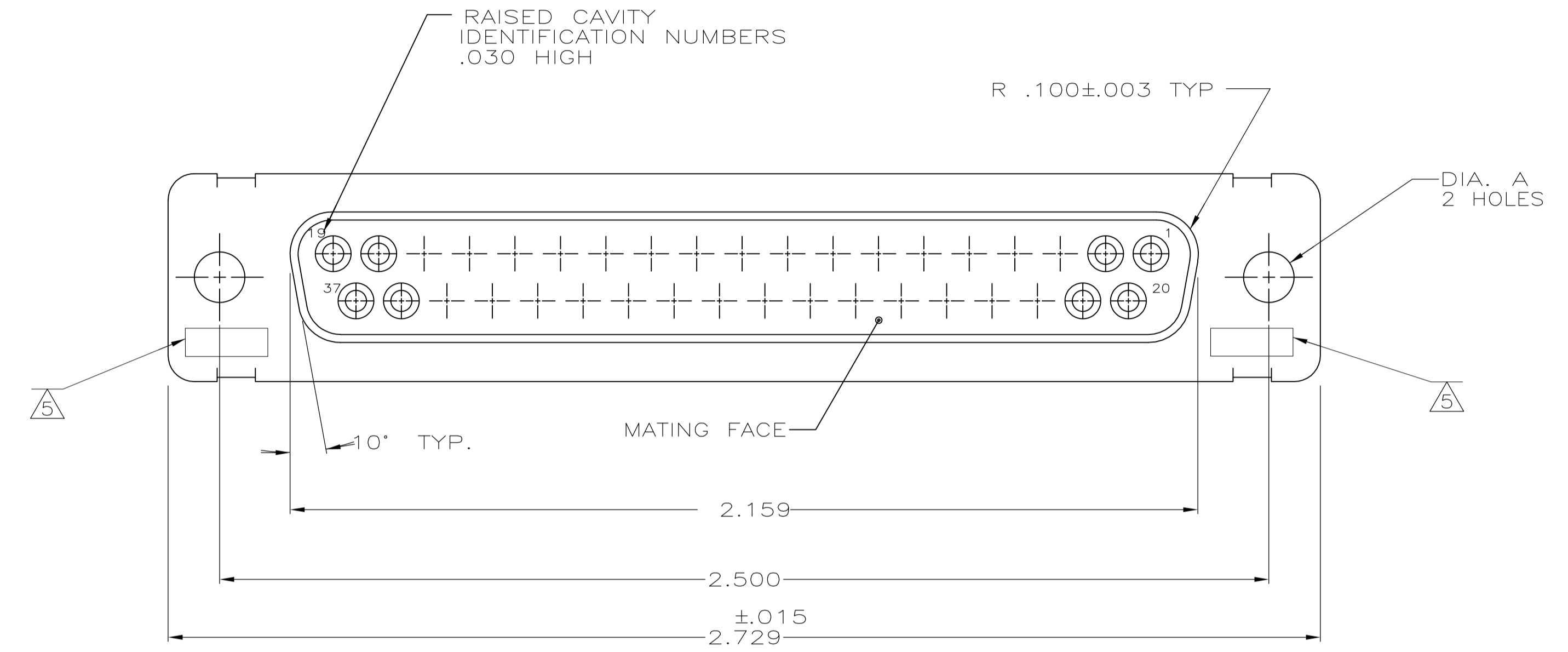
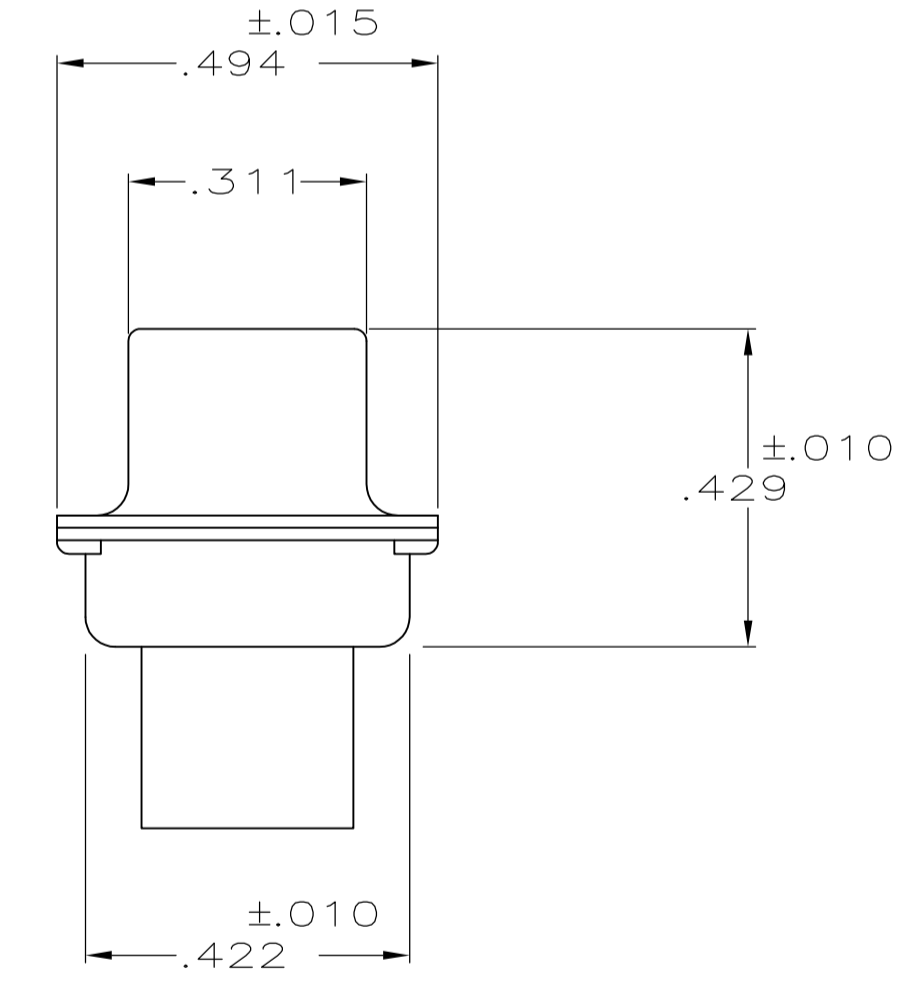
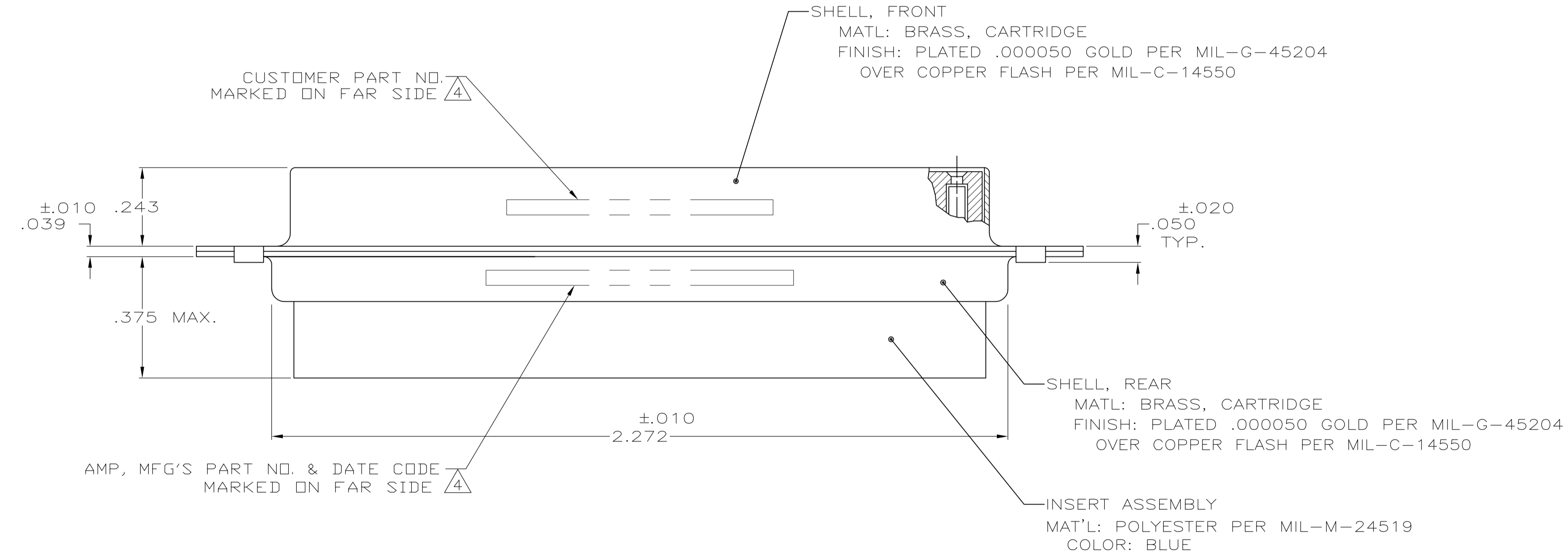


LOC		DIST		REVISIONS			
P	LTR	DESCRIPTION	DATE	DWN	APVD	CT	RL
R		REV PER ECO 11-017711	10-18-11	CT	RL		



1. THIS RECEPTACLE WILL MATE WITH ANY PLUG CONNECTOR WITH THE SAME INSERT ARRANGEMENT AS DEFINED BY MS18276-1.
 2. MAXIMUM WIRE INSULATION USED WITH THIS RCPT. IS .072 DIA. MAX.
 3. Be-Cu RETENTION CLIPS ARE INCLUDED IN INSERTS.
- ⚠️ 4 FAR SIDE REFERS TO WIDE SIDE OF KEYSTONE.
 - ⚠️ 5 UL/CSA DESIGNATION STAMPED IN THIS AREA, OPTIONAL
 - ⚠️ 6 RESTRICTED TO CAE ELECTRONICS ONLY.
 - ⚠️ 7 THESE CONNECTORS ARE QUALIFIED TO GODDARD SPACE FLIGHT CENTER SPECIFICATION S-311-P-4.
 - ⚠️ 8 CONNECTOR SUPPLIED WITH CONTACTS, AMP PART NUMBER 206793-1; (NOT INSTALLED).



	⚠️ 8	.120	570513-4	206803-9
		.120	LMSC 1621480-004	206803-8
		.120	LMSC 1621480-004	206803-7
	⚠️ 7	.120	311P409-4S-B-12	206803-6
OBSOLETE		.120	2A014-009V-001	206803-4
		.154		206803-3
	⚠️ 7	.120	311P409-4S-B-12	206803-2
		.154	311P409-4S-B-15	206803-1
REMARKS		DIA A	INK STAMPED CUSTOMER P/N	INK STAMPED AMP P/N

THIS DRAWING IS A CONTROLLED DOCUMENT.

DIMENSIONS: INCHES

TOLERANCES UNLESS OTHERWISE SPECIFIED:

0 PLC	± .005
1 PLC	± .005
2 PLC	± .005
3 PLC	± .005
4 PLC	± .005
ANGLES	± .005

MATERIAL: SEE CALLOUTS

FINISH: SEE CALLOUTS

WEIGHT: --

CUSTOMER DRAWING

DIN M. CLOUSER 1-3-89

CHK T. CANTLIN 1-24-89

APVD T. CANTLIN 1-24-89

NAME: RECEPTACLE FOR SOCKET CONTACT, SIZE 4, 37 POS. (NON-MAGNETIC)

SIZE: A1

SCALE: 4:1

SHEET: 1 OF 1

REV: R

STE TE Connectivity