

THIS DRAWING IS UNPUBLISHED.

RELEASED FOR PUBLICATION

ALL RIGHTS RESERVED.

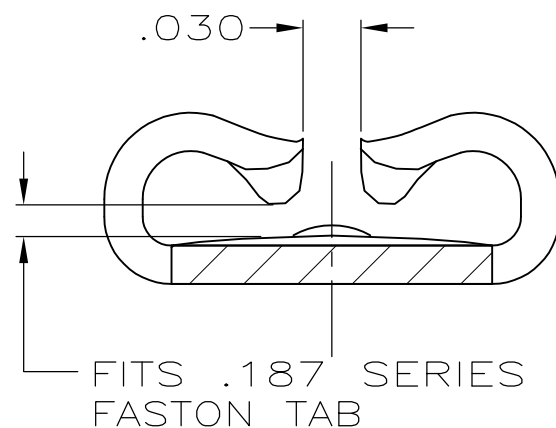
© COPYRIGHT - By -

LOC AF DIST 50

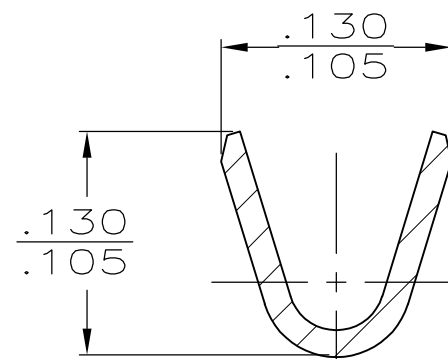
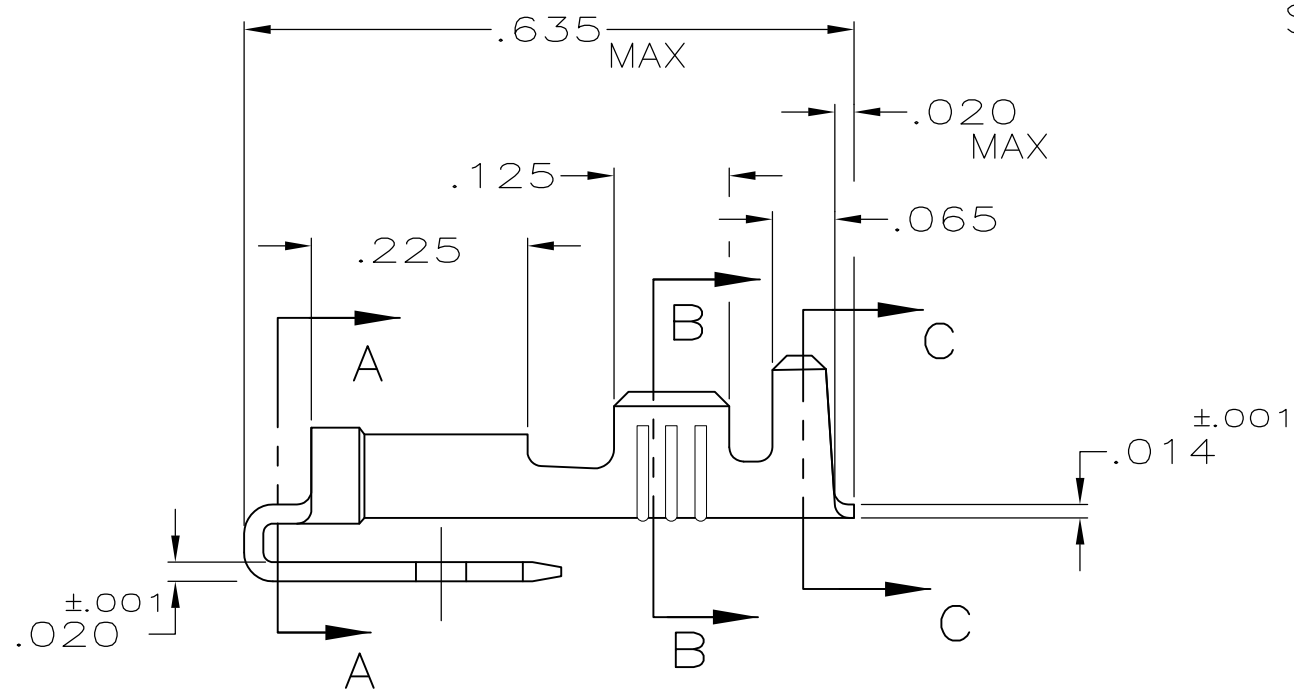
REVISIONS

P	LTR	DESCRIPTION	DATE	DWN	APVD
	A	REVISED PER ECR-12-013459	27NOV2012	KH	PD

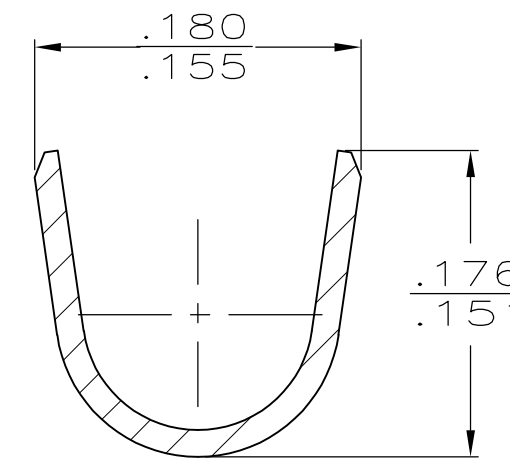
1 SUPPLIED IN LOOSE PIECE



SECTION A-A  
SCALE 10:1




SECTION B-B  
SCALE 10:1



SECTION C-C  
SCALE 10:1

.090-.130	20-16	TIN	.020	62228-1
INSULATION RANGE	WIRE SIZE	FINISH	MATING TAB THK ±.001	PART NO.

THIS DRAWING IS A CONTROLLED DOCUMENT.		DWN JR RUTH 11/17/93	 <b>TE Connectivity</b> RECEPTACLE & TAB, FASTON, PIGGYBACK, .187 SERIES				
DIMENSIONS: INCHES		CHK P FORTNEY 11/17/93				NAME	
TOLERANCES UNLESS OTHERWISE SPECIFIED:		APVD J GILLESPIE 11/17/93				SIZE	
0 PLC ± - 1 PLC ± - 2 PLC ± - 3 PLC ± .015 4 PLC ± - ANGLES ± -		PRODUCT SPEC				CAGE CODE	
MATERIAL BRASS		FINISH SEE TABLE	DRAWING NO		RESTRICTED TO		
		WEIGHT -	A3 00779 C-62228		-		
CUSTOMER DRAWING			SCALE 5:1	SHEET 1 OF 1	REV A		