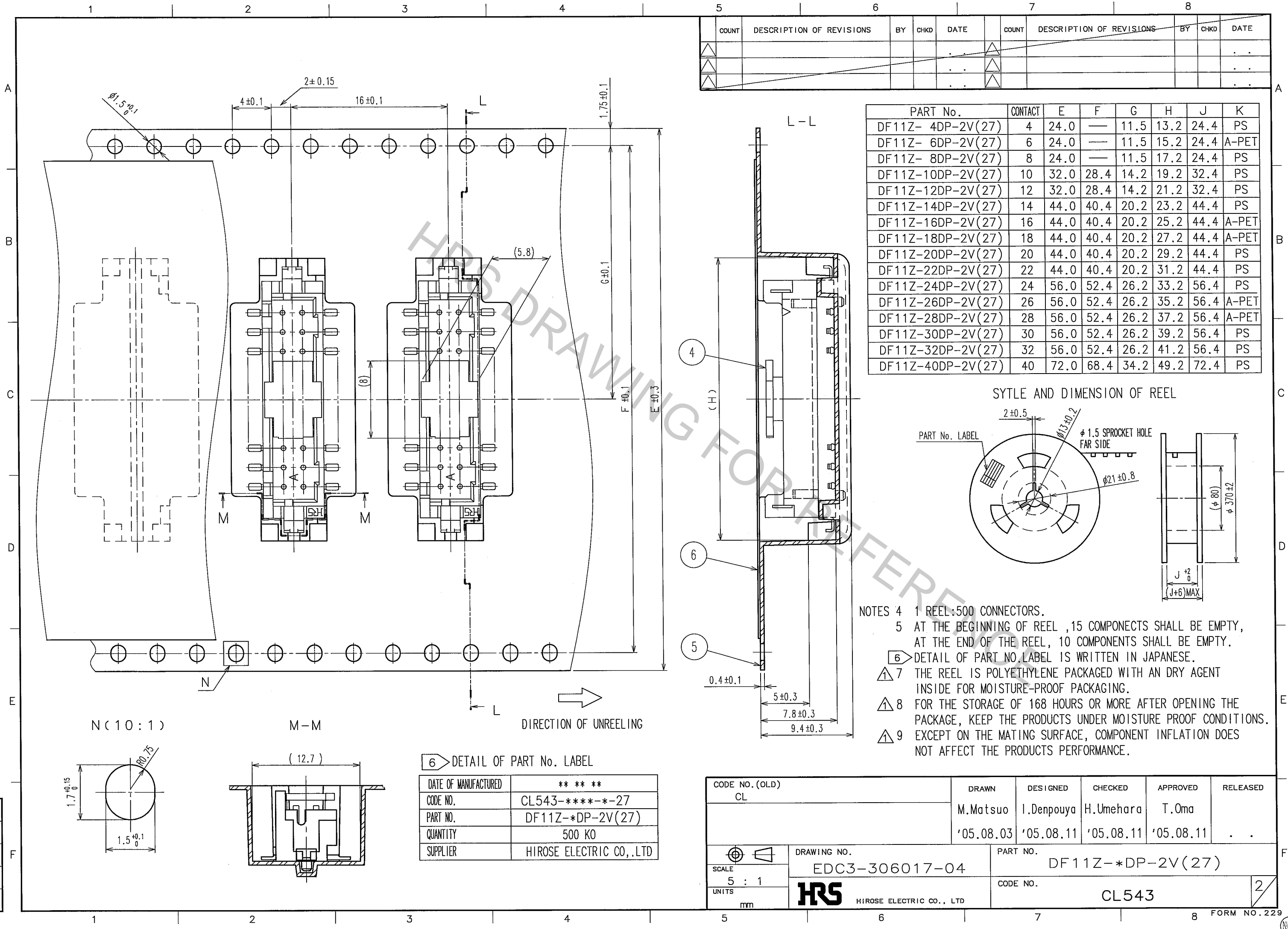


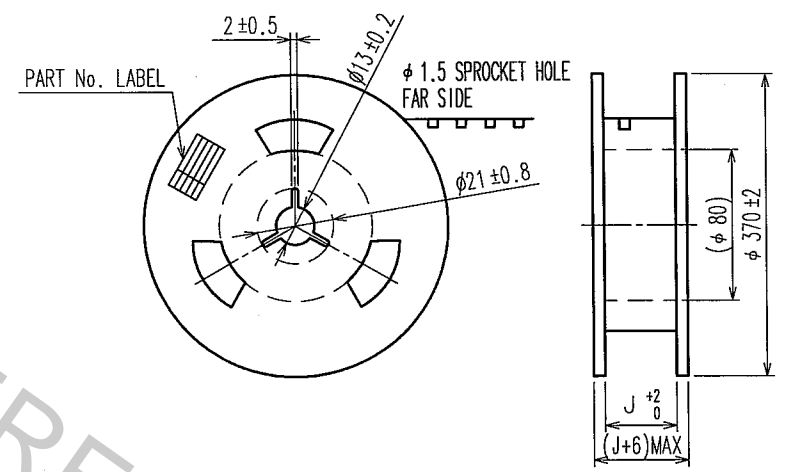
Apr.1.2017 Copyright 2017 HIROSE ELECTRIC CO., LTD. All Rights Reserved.



COUNT	DESCRIPTION OF REVISIONS	BY	CHKD	DATE	COUNT	DESCRIPTION OF REVISIONS	BY	CHKD	DATE

PART No.	CONTACT	E	F	G	H	J	K
DF11Z- 4DP-2V(27)	4	24.0	—	11.5	13.2	24.4	PS
DF11Z- 6DP-2V(27)	6	24.0	—	11.5	15.2	24.4	A-PET
DF11Z- 8DP-2V(27)	8	24.0	—	11.5	17.2	24.4	PS
DF11Z-10DP-2V(27)	10	32.0	28.4	14.2	19.2	32.4	PS
DF11Z-12DP-2V(27)	12	32.0	28.4	14.2	21.2	32.4	PS
DF11Z-14DP-2V(27)	14	44.0	40.4	20.2	23.2	44.4	PS
DF11Z-16DP-2V(27)	16	44.0	40.4	20.2	25.2	44.4	A-PET
DF11Z-18DP-2V(27)	18	44.0	40.4	20.2	27.2	44.4	A-PET
DF11Z-20DP-2V(27)	20	44.0	40.4	20.2	29.2	44.4	PS
DF11Z-22DP-2V(27)	22	44.0	40.4	20.2	31.2	44.4	PS
DF11Z-24DP-2V(27)	24	56.0	52.4	26.2	33.2	56.4	PS
DF11Z-26DP-2V(27)	26	56.0	52.4	26.2	35.2	56.4	A-PET
DF11Z-28DP-2V(27)	28	56.0	52.4	26.2	37.2	56.4	A-PET
DF11Z-30DP-2V(27)	30	56.0	52.4	26.2	39.2	56.4	PS
DF11Z-32DP-2V(27)	32	56.0	52.4	26.2	41.2	56.4	PS
DF11Z-40DP-2V(27)	40	72.0	68.4	34.2	49.2	72.4	PS

STYLE AND DIMENSION OF REEL



- NOTES
- 4 1 REEL:500 CONNECTORS.
 - 5 AT THE BEGINNING OF REEL ,15 COMPONECTS SHALL BE EMPTY, AT THE END OF THE REEL, 10 COMPONENTS SHALL BE EMPTY.
 - 6 DETAIL OF PART No. LABEL IS WRITTEN IN JAPANESE.
 - 7 THE REEL IS POLYETHYLENE PACKAGED WITH AN DRY AGENT INSIDE FOR MOISTURE-PROOF PACKAGING.
 - 8 FOR THE STORAGE OF 168 HOURS OR MORE AFTER OPENING THE PACKAGE, KEEP THE PRODUCTS UNDER MOISTURE PROOF CONDITIONS.
 - 9 EXCEPT ON THE MATING SURFACE, COMPONENT INFLATION DOES NOT AFFECT THE PRODUCTS PERFORMANCE.

6 DETAIL OF PART No. LABEL

DATE OF MANUFACTURED	** ** *
CODE NO.	CL543-*****-27
PART NO.	DF11Z-*DP-2V(27)
QUANTITY	500 KO
SUPPLIER	HIROSE ELECTRIC CO.,LTD

CODE NO. (OLD) CL	DRAWN M.Matsuo	DESIGNED I.Denpouya	CHECKED H.Umehara	APPROVED T.Oma	RELEASED .
	'05.08.03	'05.08.11	'05.08.11	'05.08.11	.
DRAWING NO. EDC3-306017-04	PART NO. DF11Z-*DP-2V(27)				
SCALE 5 : 1	CODE NO. CL543				
UNITS mm	2				