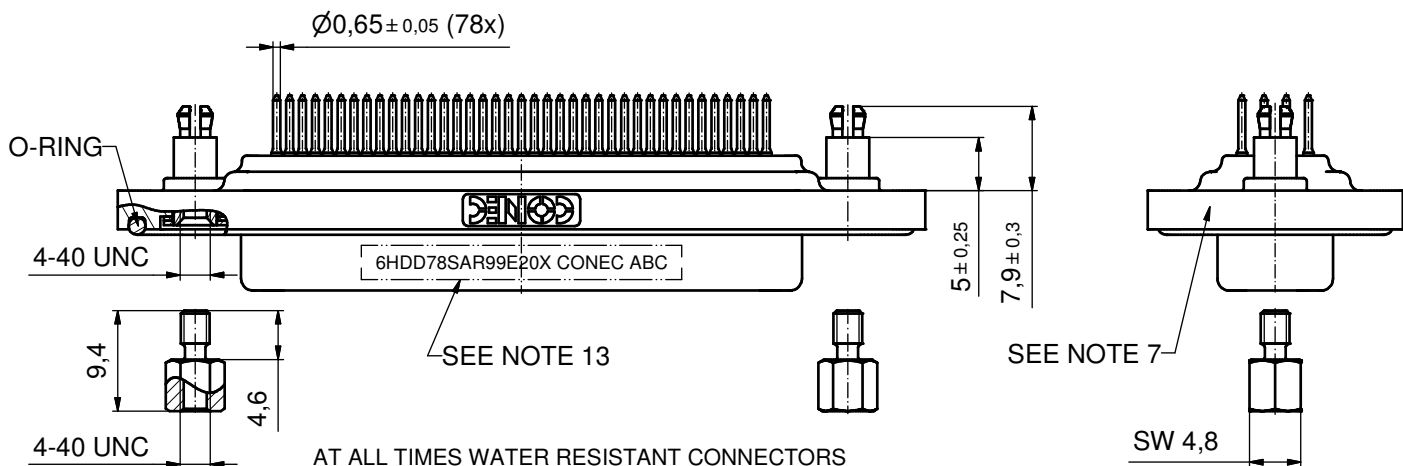
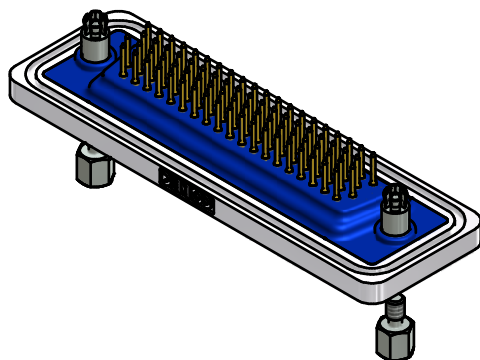
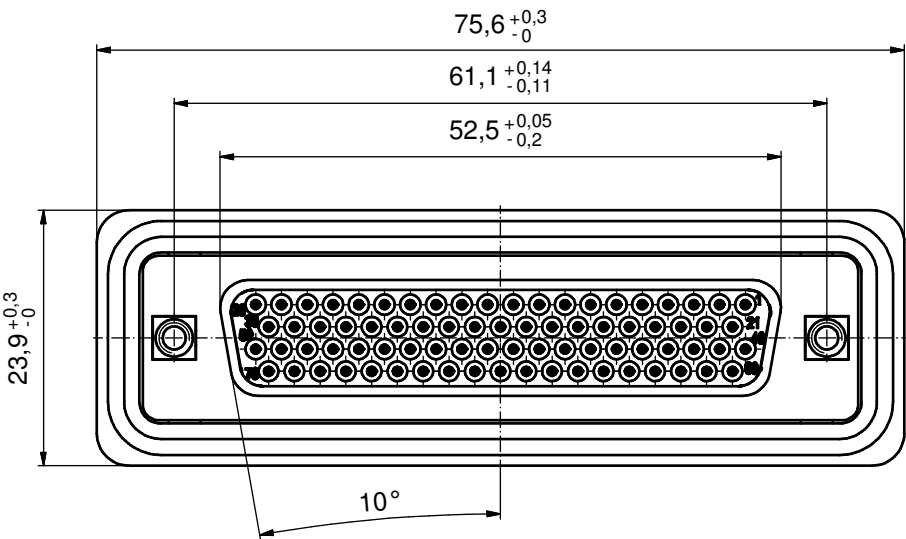
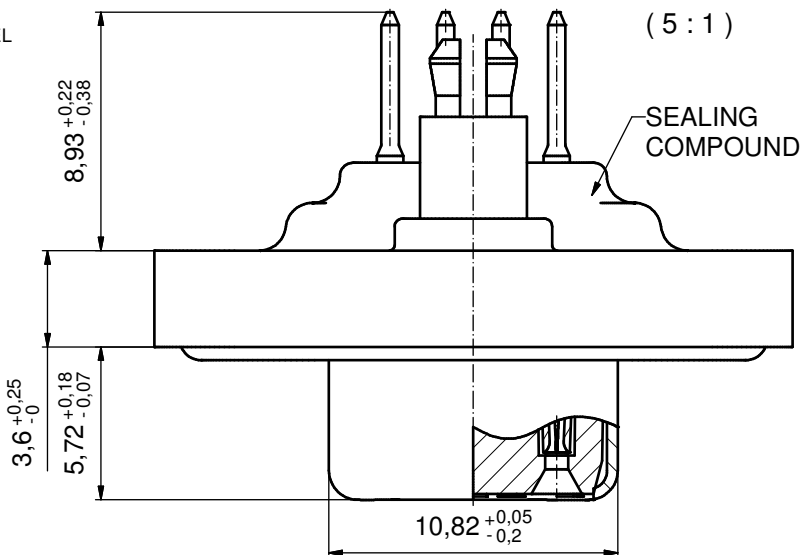


NOTES:

- FOR WAVESOLDERING (SOLDER BATH TEMPERATURE 240°C FOR 5 SEC. AND SOLDER PREHEAT 120°C FOR 120 SEC.)
- METALSHELLS: COPPER ALLOY; min. 315µin TIN over 40-80µin NICKEL
- INSULATOR: PBT GF UL 94 V-0; BLACK
- CONTACTS: COPPER ALLOY
PLATING: GOLD FLASH over NICKEL
- THREADED SPACER CLIPS:
COPPER ALLOY; min. 200µin TIN over 80µin NICKEL
PCB-HOLE: $\varnothing 3,1 \pm 0,1$; PCB THICKNESS 1,6mm
- COLLARS: COPPER ALLOY, min. 200µin TIN over 80µin NICKEL
- FRAME: ZINC DIE CAST; NICKEL PLATED
- O-RING: SILICON; BLUE
- SEALING COMPOUND: PUR; BLUE
- HEXLOCKING SCREWS: STAINLESS STEEL
- P.C.B. HOLE DRILLINGS and RECOMMENDED PANEL CUT-OUT ON SHEET 2
- RECOMMENDED TORQUE FOR MOUNTING SCREW 35Ncm (3,1 in.LB) / max. 40Ncm (3,5 in.LB)
- CONNECTOR IS PART MARKED: 6HDD78SAR99E20X CONEC ABC



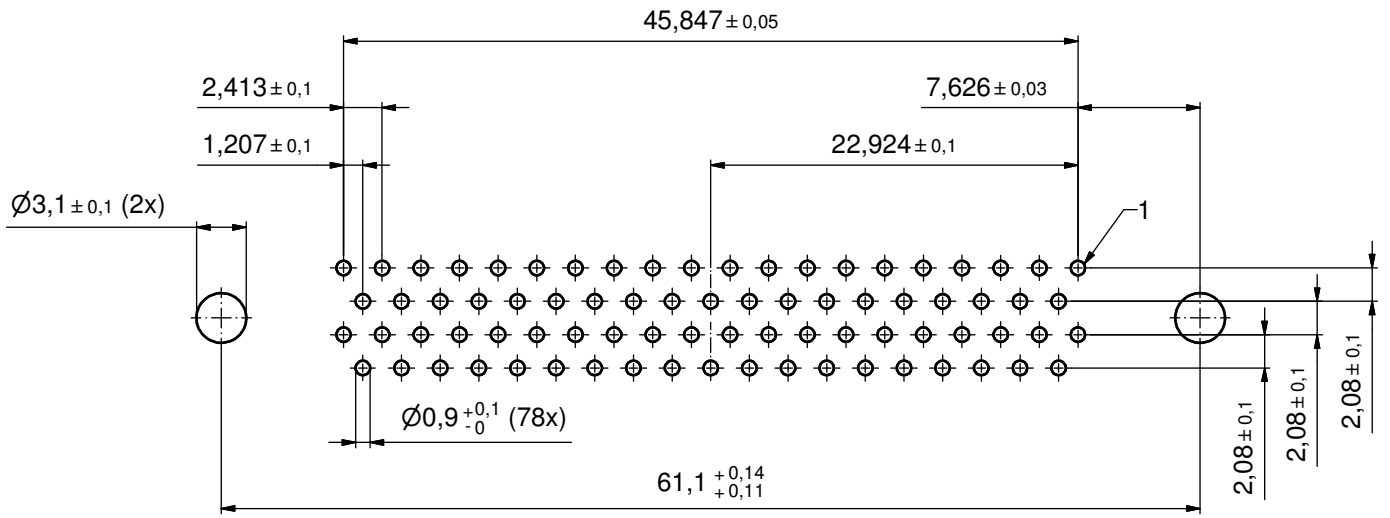
AT ALL TIMES WATER RESISTANT CONNECTORS NOT IN USE SHOULD BE COVERED WITH A CONEC WATER RESISTANT CAP OR WATER TIGHT HOOD.

Directive 2002/95/EC RoHS compliant

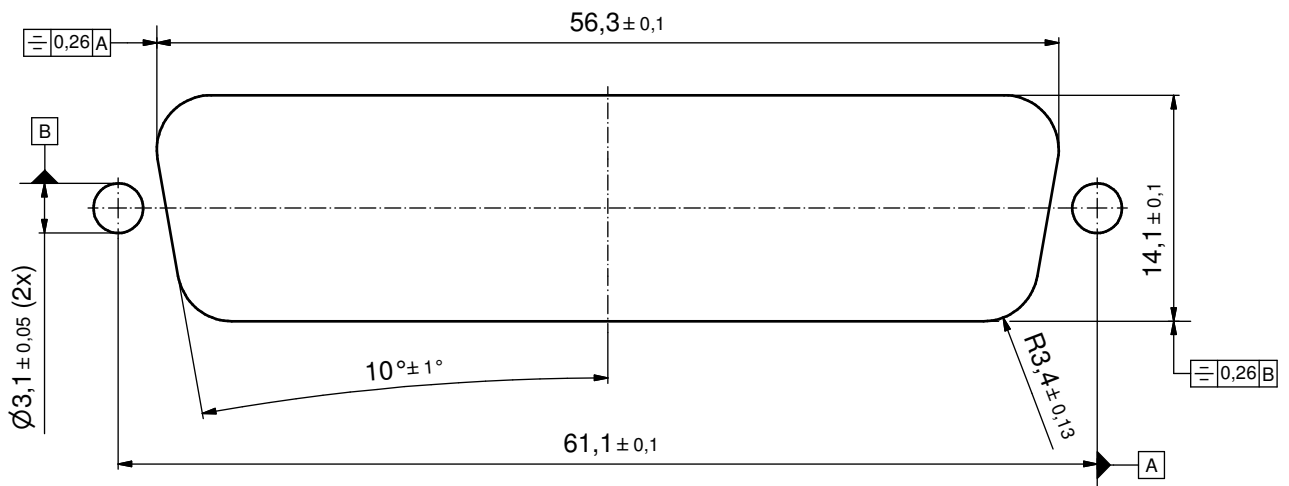
THIS DRAWING MAY NOT BE COPIED OR REPRODUCED IN ANY WAY, AND MAY NOT BE PASSED ON TO A THIRD PARTY WITHOUT WRITTEN PERMISSION. OWNERSHIP AND COPYRIGHT OF CONEC GmbH DO NOT ALTER CAD DRAWING BY HAND	tolerance		dim. in mm	scale: 2:1 (5:1)	
				material: see notes	
	drawn	26.03.12	name		title: D-SUB HD FEMALE 78pos. SOLDER PIN STRAIGHT with threaded spacer clip and hexlocking screw
	appd.	29.03.12	Fischer		
	norm		d-old		
a	Original			dwg no: 15K2A638	DIN-A3
rev.	description			date	name
				part no: 6HDD78SAR99E20X	

P.C.B. HOLE DRILLINGS

(P.C.B. TOP SIDE)



RECOMMENDED PANEL CUT-OUT



THIS DRAWING MAY NOT BE COPIED OR REPRODUCED IN ANY WAY, AND MAY NOT BE PASSED ON TO A THIRD PARTY WITHOUT WRITTEN PERMISSION. OWNERSHIP AND COPYRIGHT OF CONEC GmbH DO NOT ALTER CAD DRAWING BY HAND					tolerance		scale: 2:1	
					dim. in mm		material: see sheet1	
					date	name	title: P.C.B. HOLE DRILLINGS PANEL CUT-OUT D-SUB Female HD 78pos. Solder pin straight	
					drawn	26.03.12 Henneboel		
					appd.	29.03.12 Fischer		
				norm		dwg no:		
				d-old		15K2A638	DIN-A3	
				rev.	description	date	name	sh: 2
				CONEC [®]			part no: SEE SHEET 1	