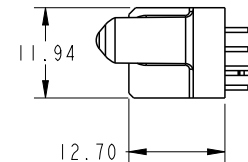
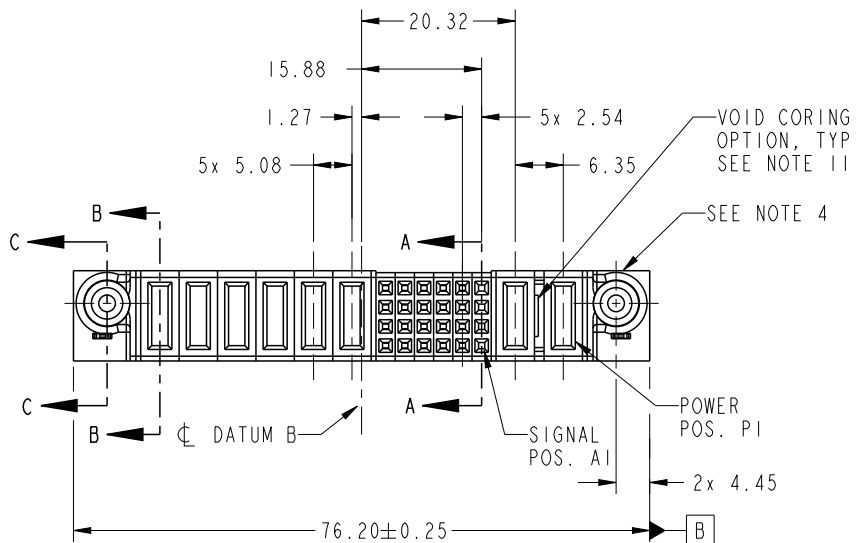


PRODUCT NO.	ROWS	POWER						SIGNAL					POWER		E1		
		E2	P8	P7	P6	P5	P4	P3	6	5	4	3	2	1		P2	P1
51940-477-- NOTE: 3	D C B A		PD	X	PD	X	PA	X	E	E	E	E	E	X	PD	PD	

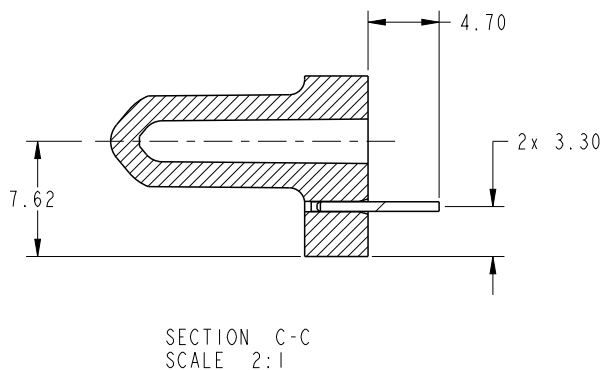
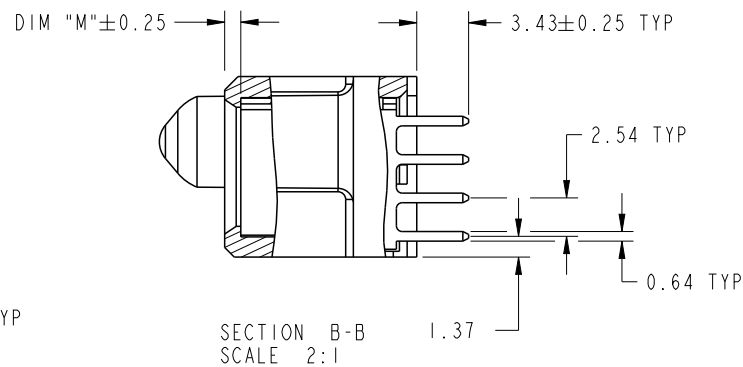
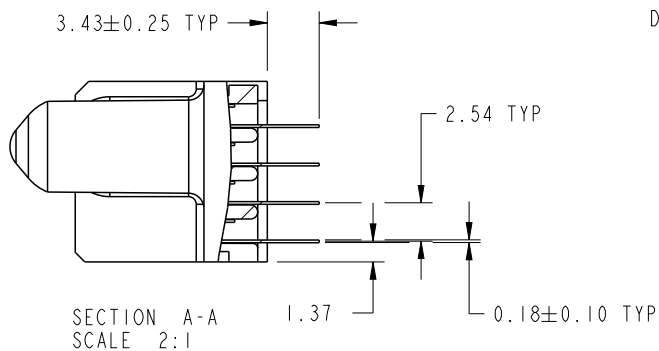


CODE	DIM "M" MATING LENGTH	CONTACT TYPE
E	[N/A]	SIGNAL
PA	[1.07]	POWER
PD	[2.34]	POWER
HA	[N/A]	HOLD-DOWN
X	[N/A]	OMITTED

spec ref	*	dr	Ruan MT	2013/02/21	projection	MM	size	A4	scale	1:1
tolerance std	TOLERANCES UNLESS OTHERWISE SPECIFIED	eng	Ruan MT	2013/03/19			ecn no	-		
SEE NOTE		chr	-	-	product family		PwrBlade	rel level	Released	
surface	linear	0.X	±0.5		2P + 24S + 6P VERTICAL SOLDER RECEPT	dwg no	51940-477	rev	A	
		0.XX	±0.25							
		0.XXX	±0.1							
	angular	0°	±2°	www.fci.com	cat. no.	*	Product - Customer Drw	sheet 1 of 4		

PRODUCT NUMBER

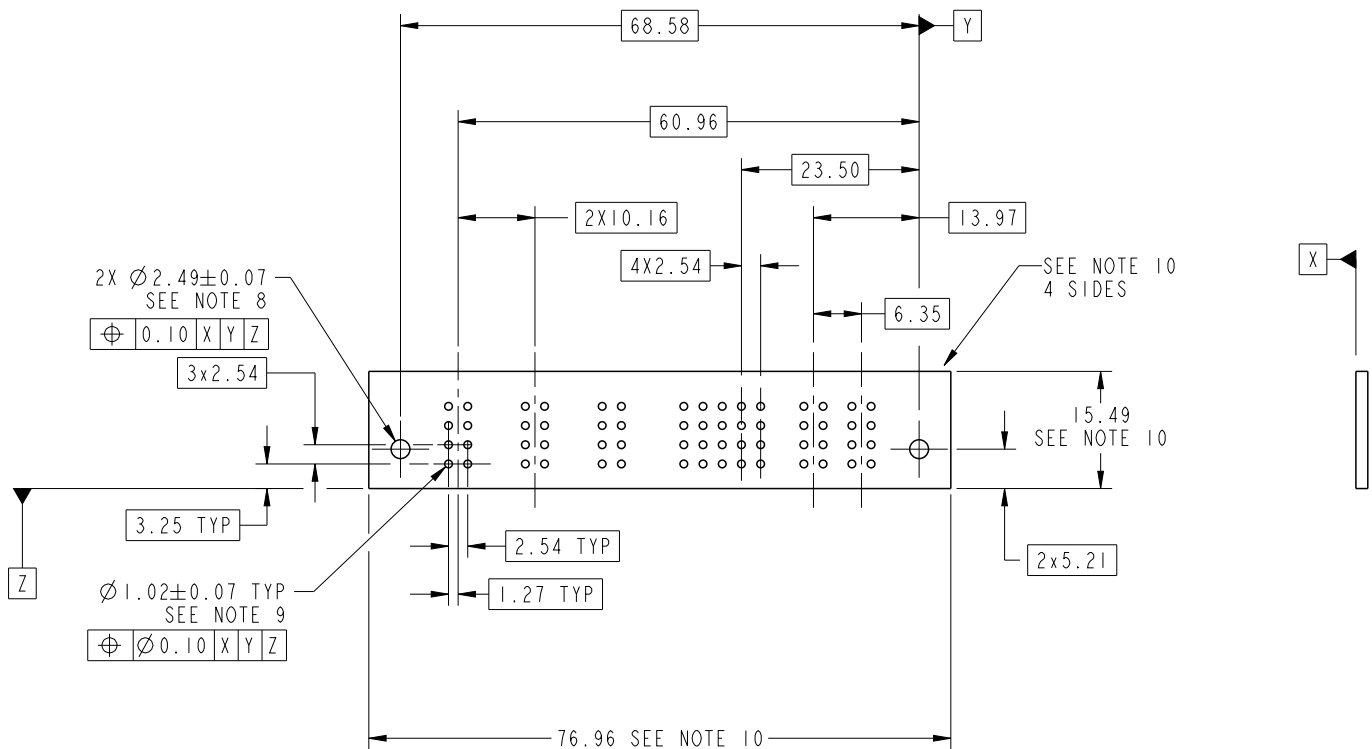
51940-477__
NOTE: 3



dr	Ruan MT	2013/02/21	projection 	MM 	size	A4	scale	1:1
eng	Ruan MT	2013/03/19			ecn no	-		
chr	-	-			rel level	Released		
appr	Pei-Ming Zheng	2013/03/19	product family	PwrBlade	rev	A		
		title 2P + 24S + 6P VERTICAL SOLDER RECEPT	dwg no 51940-477	sheet 2 of 4				
www.fci.com		cat. no. *	Product - Customer Drw					

PRODUCT NUMBER

51940-477__
NOTE: 3



RECOMMENDED PCB LAYOUT

dr	Ruan MT	2013/02/21	projection 	MM 	size	A4	scale	1:1
eng	Ruan MT	2013/03/19			ecn no	-		
chr	-	-			rel level	Released		
appr	Pei-Ming Zheng	2013/03/19	product family	PwrBlade	rev	A		
		title 2P + 24S + 6P VERTICAL SOLDER RECEPT	dwg no 51940-477	www.fci.com	cat. no. *	Product - Customer Drw	sheet 3 of 4	

PRODUCT NUMBER

51940-477--
NOTE: 3

NOTES:

1. DIMENSIONS AND TOLERANCES ARE IN ACCORDANCE WITH ASME Y14.5M, 1994 UNLESS OTHERWISE SPECIFIED.

CONNECTOR NOTES:

- ② HOUSING MATERIAL: UL 94 V-0 GLASS FILLED HIGH-TEMP THERMOPLASTIC
POWER CONTACT MATERIAL: COPPER ALLOY
SIGNAL PIN MATERIAL: COPPER ALLOY
- 3. SEE ITEM 5 & 6 IN PRINT 10064183 FOR PLATING SPEC OF 51940-477 AND 51940-477LF RESPECTIVELY.
- ④ MANUFACTURER'S NAME, DATE CODE AND OPTIONAL P/N TO APPEAR ON THIS SURFACE. THE MARK CAN BE OMITTED IF THERE IS NOT ENOUGH SPACE ON THIS SURFACE.
- 5. PRODUCT SPECIFICATION GS-12-149.
APPLICATION SPECIFICATION BUS-20-067.
- 6. PACKAGED IN TRAYS.
- PCB NOTES:
- 7. ALL HOLE DIAMETERS ARE FINISHED HOLE SIZE.
- ⑧ MOUNTING HOLES, WHERE APPLICABLE, ARE UNPLATED.
- ⑨ $\varnothing 1.151 \pm 0.025$ DRILLED HOLES PLATED WITH
0.008 MIN SnPb OR Sn OVER 0.03
TO 0.08 Cu PLATING TO ACHIEVE
 $\varnothing 1.02 \pm 0.07$ HOLE.
- ⑩ CONNECTOR KEEP-OUT ZONE.
- 11. THE VOID CORING IN BETWEEN POWER MODULES, SIGNAL MODULES AND END MODULES ARE OPTIONAL AND THE SHAPE MAY BE DIFFERENT FOR OPTIMIZE THE MOLDING PROCESS. THE VOID CORING WILL NOT EFFECT TO PRODUCT FUNCTION.



Copyright FCI.

dr	Ruan MT	2013/02/21	projection 	MM 	size	A4	scale	1:1
eng	Ruan MT	2013/03/19			ecn no	-		
chr	-	-						
appr	Pei-Ming Zheng	2013/03/19	product family	PwrBlade	rel level	Released		
	title	2P + 24S + 6P		dwg no	51940-477		rev	A
www.fci.com	cat. no.	*	Product - Customer Drw			sheet 4 of 4		