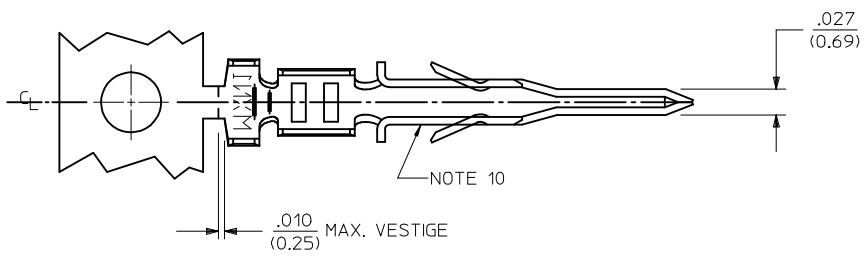


SECTION "B"-"B"

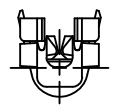
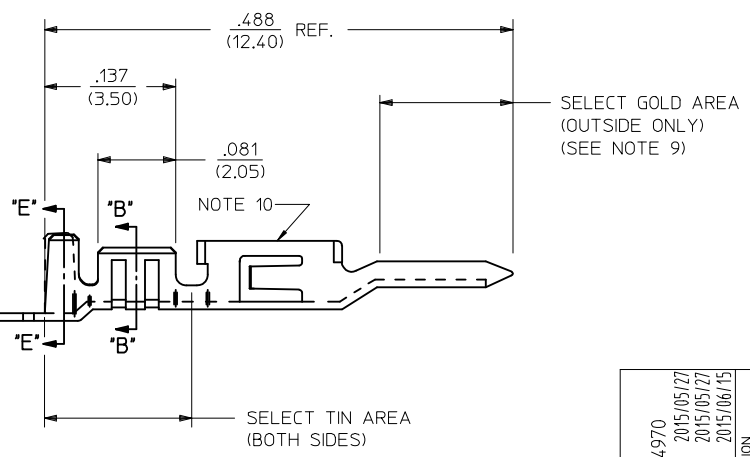
SECTION "E"-"E"

AWG:	MAX. INSULATION
20-24	.073/(1.85)
26-30	.050/(1.27)



NOTES:

- MATERIAL: PHOSPHOR BRONZE ALLOY.
- TERMINAL PLATING:
 - A = .000015/(0.00038) MIN. SELECT GOLD
.000100/(0.002543) MIN. SELECT TIN
OVER .000050/(0.00127) MIN. NICKEL
 - B = .000030/(0.00076) MIN. SELECT GOLD
.000100/(0.002543) MIN. SELECT TIN
OVER .000050/(0.00127) MIN. NICKEL
 - C = HOT TIN DIP: .000040/(0.00102) MIN
- *MATERIAL NUMBERS WITH SELECT PLATING ARE POST-PLATED AFTER FORMING.
- PRODUCT SPECIFICATION: PS-43045, PS-43650, PS-44300-001.
- PACKAGING SPECIFICATION: PK-43031-002 (REEL), PK-43030-003 (LOOSE).
- TERMINAL FOR USE IN MICROFIT PLUG 43020-****, 43640-****, AND 44300-****.
- FOR TERMINAL ORIENTATION IN PLUG SEE DRAWING SDA-43020-**** OR SD-43640-****.
- THIS TERMINAL IS DESIGNED IN METRIC.
- THE PRIMARY SHIPPING CARTON WILL BE LABELED: *COMPLIANT TO RoHS DIRECTIVE 2002/95/EC AND ELV ANNEX ii OF DIRECTIVE 2000/53/EC.* ASSEMBLIES WILL BE COMPLIANT TO THE RoHS AND ELV (LED-FREE) DIRECTIVES.
- SOME GOLD MAY BE PRESENT ON INSIDE SURFACE.
- TERMINAL MAY HAVE AN INWARD OR OUTWARD FORMED SHAPE IN THIS AREA.



ADD NOTE 10 EC NO: UCP2015-4970 DRWN: JDOX CHKD: SSOUSEK APPR: FSMITH	2015/05/27 2015/05/27 2015/06/15	QUALITY SYMBOLS ▽=0 ▽=0 ▽=0	GENERAL TOLERANCES (UNLESS SPECIFIED)		DIMENSION STYLE IN/MM		SCALE ---	DESIGN UNITS METRIC	THIRD ANGLE PROJECTION		
	DESCRIPTION REV: B5		mm INCH	DRAWN BY RHOLTS	DATE 2004/07/25	TITLE MICRO-FIT (3.0) MALE TERMINAL LEAD-FREE		molex		SHEET NO. 1 OF 1	
	4 PLACES ± --- ± --- 3 PLACES ± --- ± .014 2 PLACES ± 0.25 ± .010 1 PLACE ± 0.35 ± --- 0 PLACE ± ±		CHECKED BY LSCHMIDT	DATE 2004/07/25	DOCUMENT NO. SD-43031-001		THIS DRAWING CONTAINS INFORMATION THAT IS PROPRIETARY TO MOLEX INCORPORATED AND SHOULD NOT BE USED WITHOUT WRITTEN PERMISSION				
	ANGULAR ±1/2° DRAFT WHERE APPLICABLE MUST REMAIN WITHIN DIMENSIONS		MATERIAL NO. SEE CHART								