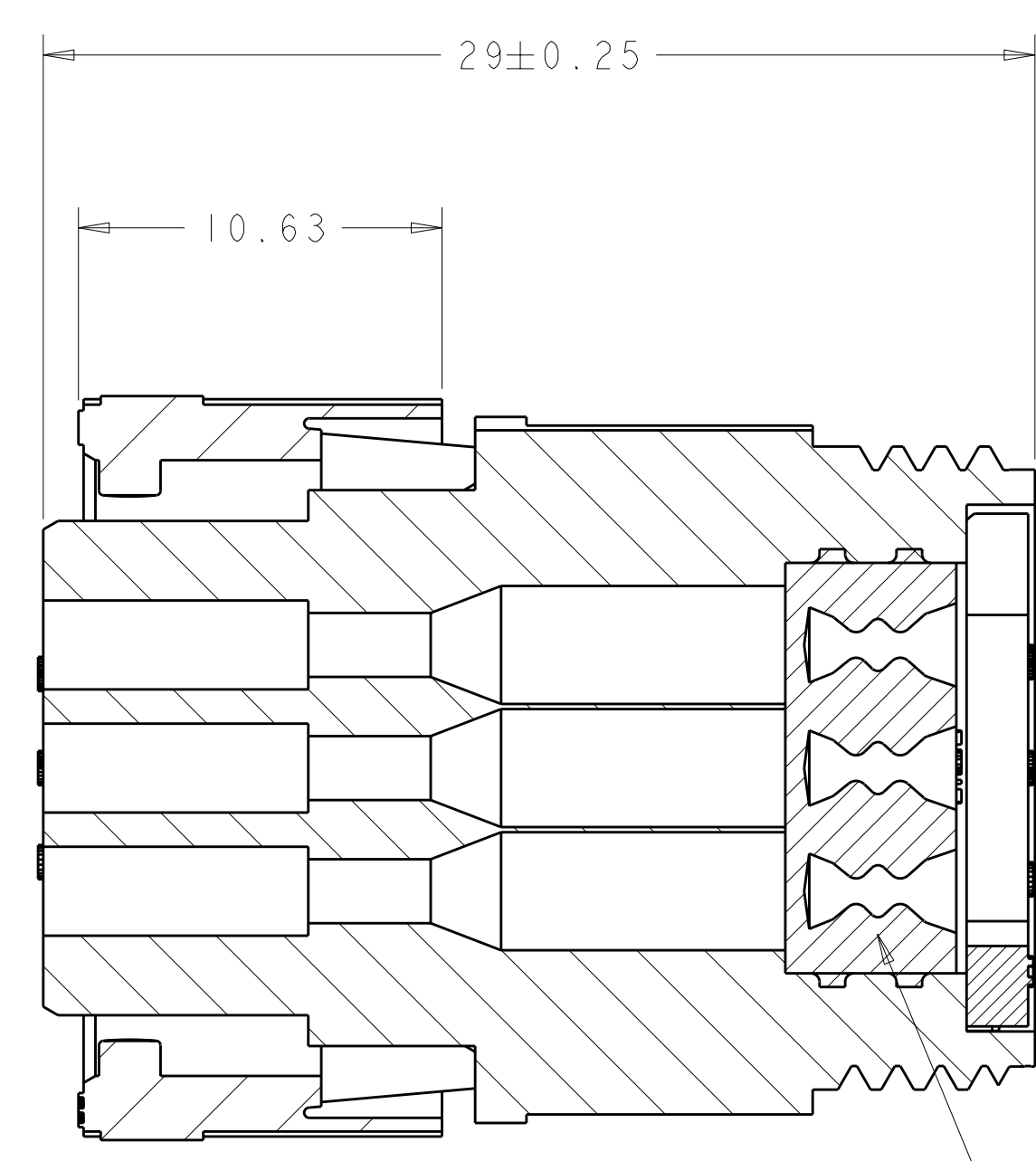
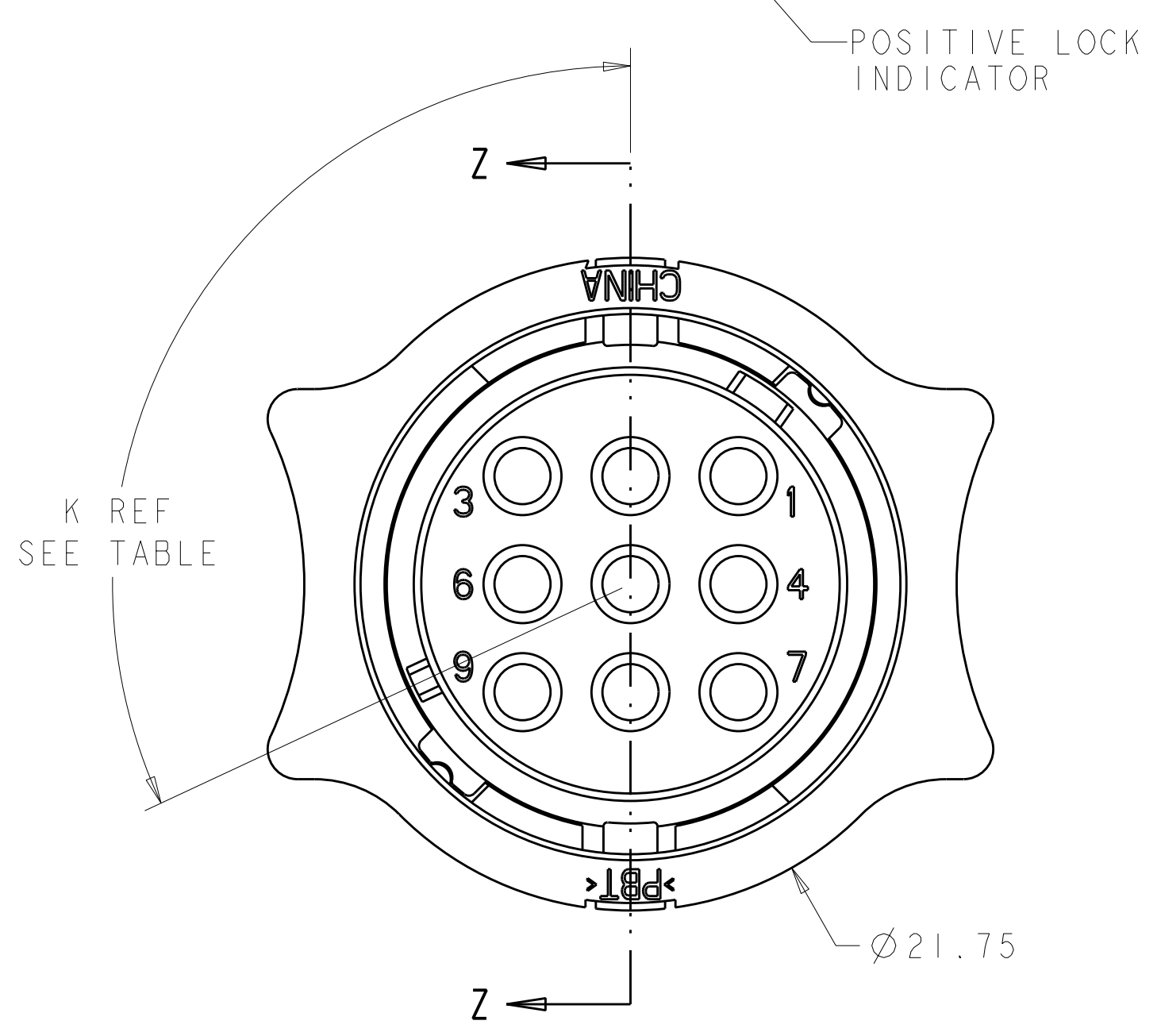
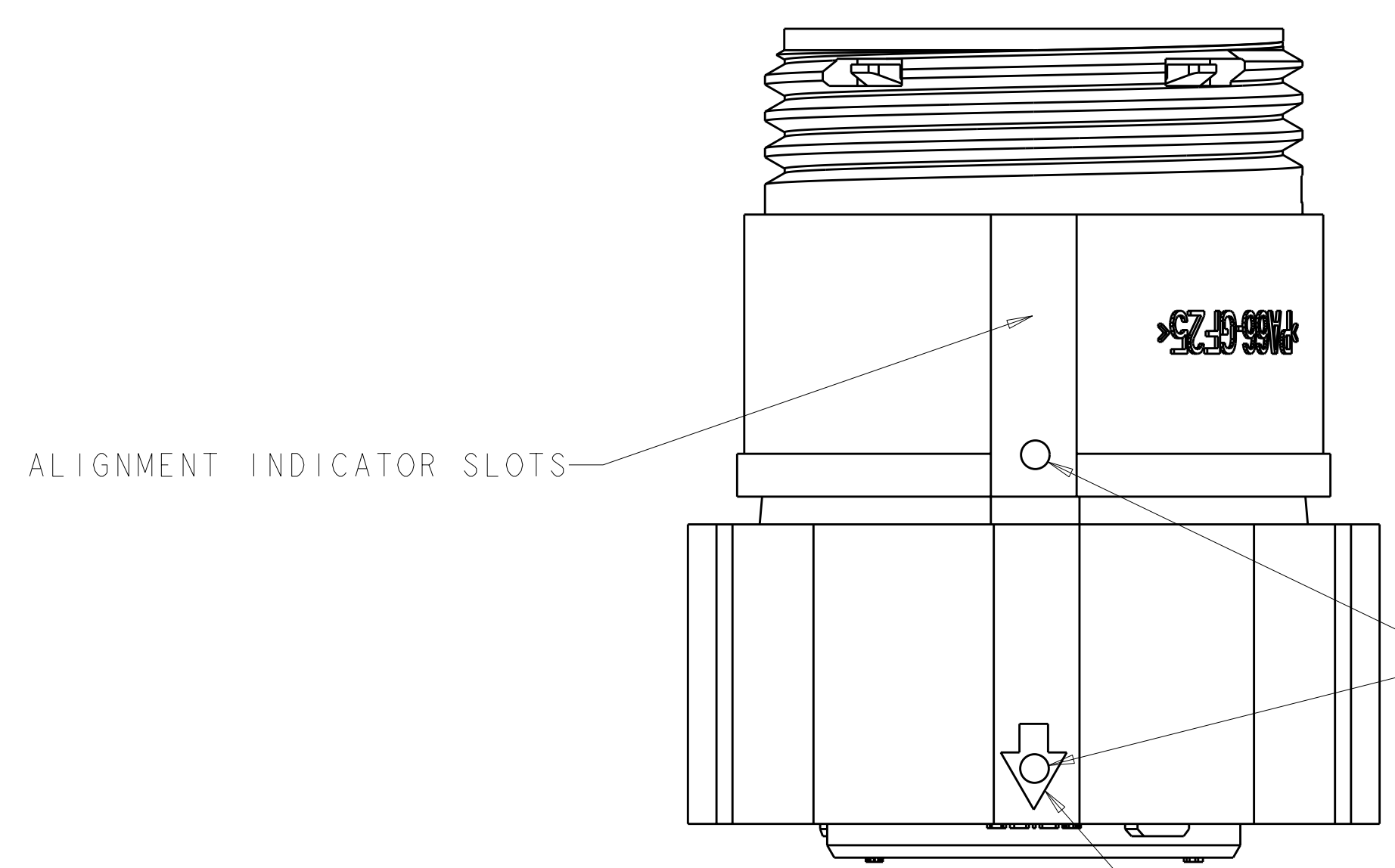
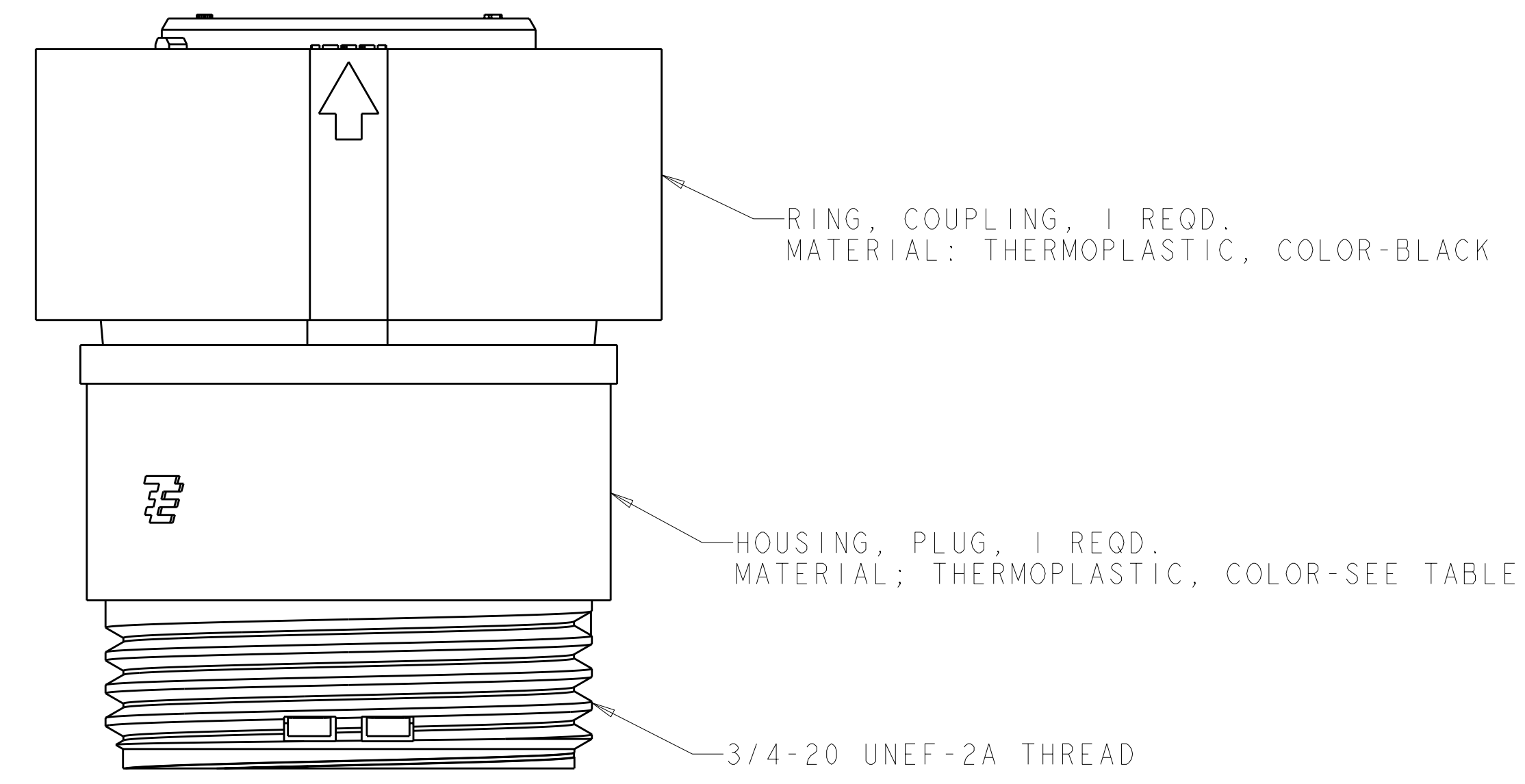
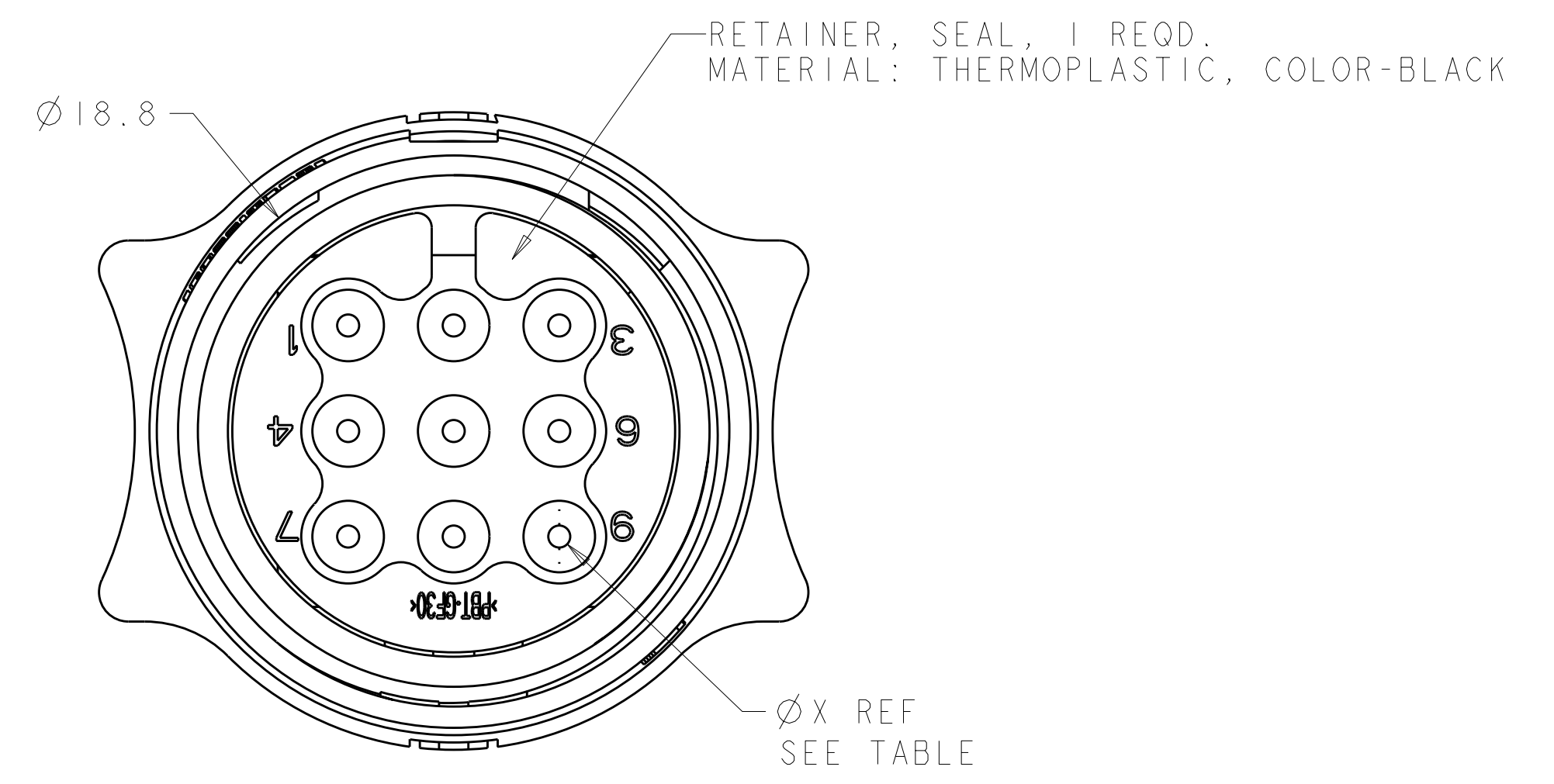


LOC	DIST	REVISIONS			
FT	0	REV	DATE	BY	APPD
		D3	REVISD PER ECO-11-005027	18MAR2011	RK HMR



SECTION Z-Z



QUALIFICATION TEST PENDING

OBSOLETE	Ø 1.5	135°	B	NATURAL	BROWN	1445807-7
OBSOLETE	Ø 0.75	135°	B	YELLOW	RED	1445807-4
OBSOLETE	Ø 1.5	115°	A	NATURAL	BLACK	1445807-3
OBSOLETE	Ø 1.5	135°	B	NATURAL	RED	1445807-2
	Ø 0.75	115°	A	YELLOW	BLACK	1445807-1
	Ø X REF	K REF	KEYING CODE	WIRE ENTRY SEAL COLOR	HOUSING COLOR	PART NUMBER

THIS DRAWING IS A CONTROLLED DOCUMENT.

DIMENSIONS: mm
 TOLERANCES UNLESS OTHERWISE SPECIFIED:
 9 PLC ±
 5 PLC ±0.13
 4 PLC ±
 ANGLES ±
 FINISH

DWN: SHANE WUEST 15OCT2001
 CHK: G DOUTY 15OCT2001
 APVD: H WAKEEM 13JUN2003

STE TE Connectivity
 NAME: ASSEMBLY, PLUG, SIZE 11, 9 POSITION, SEALED, MINI CPC
 SIZE: A100779 C=1445807
 SCALE: 5:1 SHEET 1 OF 1 REV: D3

MATERIAL: SEE CALLOUT
 CUSTOMER DRAWING