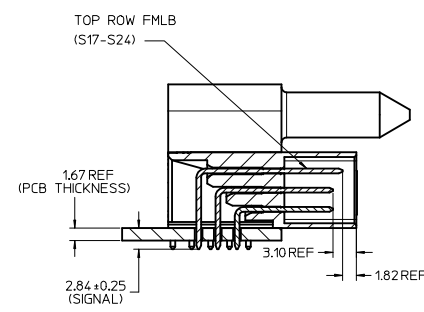
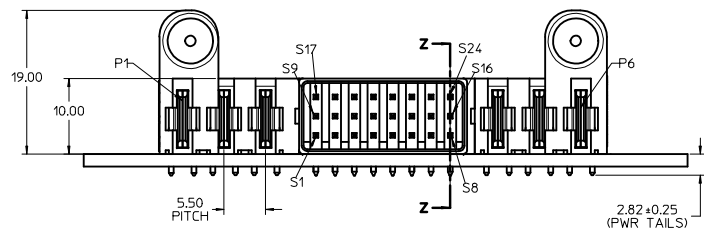
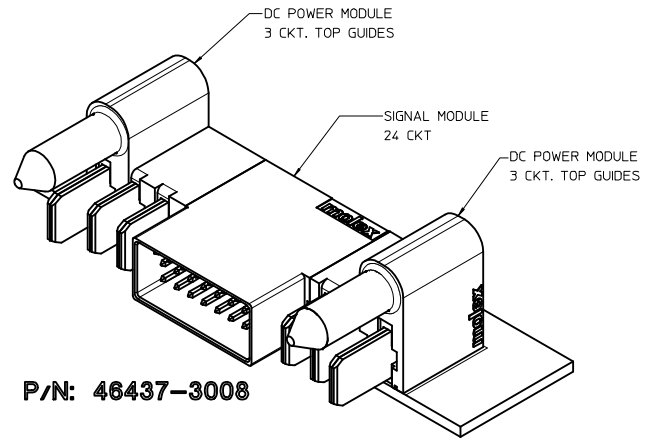
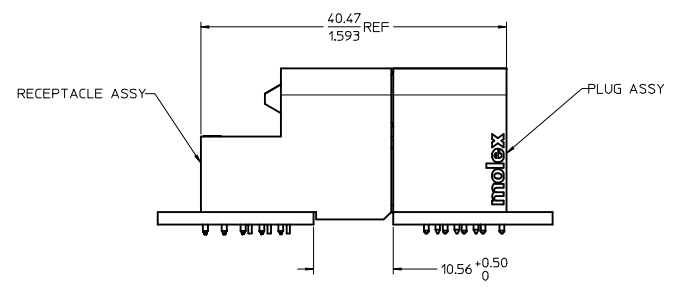


RECOMMENDED PCB LAY-OUT AND KEEP-OUT ZONE



SECTION Z-Z



P/N: 46437-3008

NOTES:

- MATERIAL:
 - HOUSINGS: LCP UL94, V-0, COLOR: BLACK.
 - TERMINALS: COPPER ALLOY.
 - PLATING: 0.00127 NICKEL OVERALL WITH 0.00254 SELECTIVE TIN ON SOLDER TAILS AND 0.000762 SELECTIVE GOLD ON CONTACT AREA.
- ASSEMBLIES PACKED IN TRAYS, SPO: TBD
- PC BOARD REQUIRES SOLDER THRU HOLES. REFER TO PS-46436-100 FOR DETAILS
- PRODUCT SPEC: PS-46436-100.
- APPLICATION SPEC: AS-46436-100.
- PRODUCT TO MEET RoHS REQUIREMENTS.
- ASSEMBLY MATES TO MOLEX RECEPTACLE ASSEMBLY P/N 46436-3008 OR 46562-3008.

RELEASED IEC NO: UCP2009-2546 DRWN: JUILLES CHKD: KJKOH APPR: APATEL	2009/05/05 2009/05/05 2009/05/05	DESCRIPTION	QUALITY SYMBOLS		GENERAL TOLERANCES (UNLESS SPECIFIED)		DIMENSION STYLE		SCALE	DESIGN UNITS	THIRD ANGLE PROJECTION		
					MM ONLY		MM ONLY		NTS	METRIC			
					4 PLACES ± --- ± ---		DRAWN BY DATE		KJKOH 2009/03/11		TITLE		
					3 PLACES ± --- ± ---		CHECKED BY DATE		KJKOH 2009/03/11		RA PLUG ASSY TEN60 POWER TG-3P-24S-3P-TG		
		2 PLACES ± 0.25 ± ---		APPROVED BY DATE		SHONG		MOLEX MOLEX INCORPORATED					
		1 PLACE ± 0.25 ± ---		ANGULAR ± 1/2°		MATERIAL NO.		DOCUMENT NO.		SHEET NO.			
		DRAFT WHERE APPLICABLE MUST REMAIN WITHIN DIMENSIONS		SIZE		46437-3008		SD-46437-308		1 OF 1			
				A		THIS DRAWING CONTAINS INFORMATION THAT IS PROPRIETARY TO MOLEX INCORPORATED AND SHOULD NOT BE USED WITHOUT WRITTEN PERMISSION							