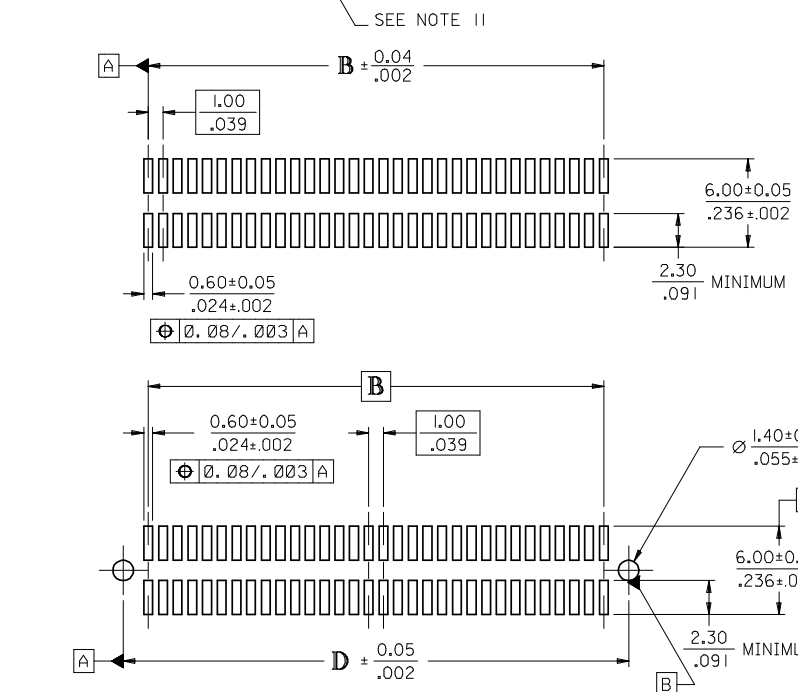


| CIRCUIT SIZE | DIM. A | DIM. B | DIM. C | DIM. D |
|--------------|----------------|----------------|----------------|----------------|
| 20 | 13.90 .547 | 9.00 .354 | 12.58 .495 | 12.40 .488 |
| 30 | 18.90 .744 | 14.00 .551 | 17.58 .692 | 17.40 .685 |
| 40 | 23.90 .941 | 19.00 .748 | 22.58 .889 | 22.40 .882 |
| 50 | 28.90 1.138 | 24.00 .945 | 27.58 1.086 | 27.40 1.079 |
| 60 | 33.90 1.335 | 29.00 1.142 | 32.58 1.283 | 32.40 1.276 |
| 64 | 35.90 1.413 | 31.00 1.220 | 34.58 1.361 | 34.40 1.354 |
| 70 | 38.90 1.531 | 34.00 1.339 | 37.58 1.480 | 37.40 1.472 |
| 80 | 43.90 1.728 | 39.00 1.535 | 42.58 1.676 | 42.40 1.669 |
| 84 | 45.90 1.807 | 41.00 1.614 | 44.58 1.755 | 44.40 1.748 |
| 90 | 48.90 1.925 | 44.00 1.732 | 47.58 1.873 | 47.40 1.866 |
| 100 | 53.90 2.122 | 49.00 1.929 | 52.58 2.070 | 52.40 2.063 |
| 110 | 58.90 2.319 | 54.00 2.126 | 57.58 2.267 | 57.40 2.260 |
| 120 | 63.90 2.516 | 59.00 2.323 | 62.58 2.464 | 62.40 2.457 |

NOTES:

- HOUSING MATERIAL: G.F. THERMOPLASTIC; UL RATING: 94V-0; COLOR: WHITE
NOTE: HOUSING COLOR FOR -1664 (ONLY) IS BLACK.
TERMINAL MATERIAL: PHOSPHOR BRONZE; 0.205/.0080 THICK
VACUUM CAP MATERIAL: STAINLESS STEEL; 0.255/.0100 THICK
- PLATING FINISHES: SEE SHEET 2.
- THIS PART, WHEN MATED WITH MOLEX 1.0mm RECEPTACLE CONNECTOR SERIES 71439, CONFORMS TO MOLEX PRODUCT SPECIFICATION PS-71436-9999. REFER TO CHART ON SHEET 2 FOR MATED STACK HEIGHTS FOR THIS PLUG.
- PACKAGING SPECIFICATIONS: REFER TO CHART ON SHEET 2.
- PEGS ARE OPTIONAL. REFER TO CHART ON SHEET 2.
- VACUUM PICK & PLACE CAP IS OPTIONAL. REFER TO CHART ON SHEET 2.
- THIS PART CONFORMS TO EIA STANDARD 700 AAAB FOR 1.0mm TWO-PART CONNECTORS FOR USE WITH PARALLEL PRINTED BOARDS.
- COPLANARITY OF SMT TAILS: 0.10/.004 MAX.
- 64-CIRCUIT PLUG ASSEMBLY WITH PEGS AND VACUUM CAP SHOWN FOR ILLUSTRATION PURPOSES ONLY.
- DIMENSIONS ARE IN mm/In. INCH DIMENSIONS SHOWN FOR REFERENCE ONLY.
- DATE CODE STAMP IS WEEK, YEAR LOCATED APPROXIMATELY WHERE SHOWN.



RECOMMENDED PCB LAYOUT (WITH AND WITHOUT PEGS)

RECOMMENDED PCB THICKNESS: 1.00±0.10/.039±.004 MINIMUM

| | |
|-----|-----|
| 2 | I |
| 1 | J |
| SHT | REV |

| | | | | | | |
|--|--|---|--|--|--------------------------|------------------------|
| CORRECT DESIGN UNITS EC NO: UCP2008-2464 DRAWN: SIBARRA 2008/04/07 CHKD: BARKER 2008/04/16 APPR: MILLER 2008/04/16 | QUALITY SYMBOLS ▽=0 ▽=0 | GENERAL TOLERANCES (UNLESS SPECIFIED) mm INCH | DIMENSION STYLE MM/IN | SCALE 4:1 | DESIGN UNITS METRIC | THIRD ANGLE PROJECTION |
| | 4 PLACES ±--- ±--- 3 PLACES ±--- ±.005 2 PLACES ±0.13 ±.01 1 PLACE ±0.25 ±--- | DRAWN BY REED CHECKED BY REED APPROVED BY BIXLER | DATE 1995/03/23 DATE 1995/03/23 DATE 1995/03/23 | TITLE SALES ASSY, 1.0MM BOARD TO BOARD PLUG CONNECTOR 3.30/130 STACK HEIGHT | MOLEX MOLEX INCORPORATED | |
| DRAFT WHERE APPLICABLE MUST REMAIN WITHIN DIMENSIONS | SEE TABLE | DOCUMENT NO. SDA-71436-1*** | SHEET NO. 1 OF 2 | | | |
| THIS DRAWING CONTAINS INFORMATION THAT IS PROPRIETARY TO MOLEX INCORPORATED AND SHOULD NOT BE USED WITHOUT WRITTEN PERMISSION | | | | | | |

STANDARD

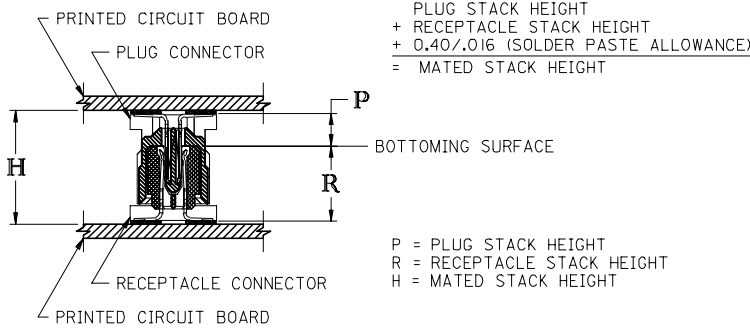
| CIRCUIT SIZE | PLUG ASSEMBLY ITEM NUMBER | PEGS | CONTACT PLATING SEE PLATING NOTES | PICK & PLACE CAP | PACKAGING SPEC. NUMBER | PACKAGING TYPE |
|--------------|---------------------------|------|-----------------------------------|---------------------|------------------------|----------------|
| 64 | 71436-1164 | YES | 30 GOLD | NO | PK-70873-0607 | TUBE |
| 64 | 71436-1364 | YES | 30 GOLD | YES | PK-70873-0607 | TUBE |
| 64 | 71436-1464 | YES | 30 GOLD | YES | PK-70873-063 | TAPE & REEL |
| 64 | 71436-1564 | NO | 30 GOLD | NO | PK-70873-0606 | TUBE |
| 64 | 71436-1664 | NO | 30 GOLD | YES MATTE FINISH | PK-70873-063 | TAPE & REEL |
| 64 | 71436-1764 | NO | 30 GOLD | YES | PK-70873-0606 | TUBE |
| 64 | 71436-1864 | NO | 30 GOLD | YES | PK-70873-063 | TAPE & REEL |
| 64 | 71436-1264 | YES | 50 GOLD | NO | PK-70873-0607 | TUBE |
| 64 | 71436-1064 | NO | 50 GOLD | NO | PK-70873-0607 | TUBE |

RECOMMENDED PLUG/RECEPTACLE COMBINATION FOR MATED STACK HEIGHT PER EIA STANDARD 700 AAAB

| MATED STACK HEIGHT | RECEPTACLE HEIGHT | RECEPTACLE SERIES NO. | PLUG HEIGHT | PLUG SERIES NO. |
|--------------------|-------------------|-----------------------|-------------|-----------------|
| 9.00/.354 | 5.30/.209 | 71439-0*** | 3.30/.130 | 71436-1*** |
| 11.00/.433 | 7.30/.287 | 71439-1*** | 3.30/.130 | 71436-1*** |
| 14.00/.551 | 10.30/.406 | 71439-3*** | 3.30/.130 | 71436-1*** |

PLATING NOTES:

- 30 GOLD: 0.76 MICROMETERS(30 MICRONCHES) MINIMUM SELECTIVE GOLD (Au) IN THE CONTACT AREA
1.88 MICROMETERS(75 MICRONCHES) MINIMUM SELECTIVE TIN (Sn) IN THE PC TAIL AREA
NICKEL UNDERPLATE OVERALL
- 50 GOLD: 1.27 MICROMETERS(50 MICRONCHES) MINIMUM SELECTIVE GOLD (Au) IN THE CONTACT AREA
1.88 MICROMETERS(75 MICRONCHES) MINIMUM SELECTIVE TIN (Sn) IN THE PC TAIL AREA
NICKEL UNDERPLATE OVERALL



| | | | | | | | |
|---|--------------------------|---------------------------------------|-------------------|---|----------------|--|--|
| ADD 71436-1064/-1264 EC NO: UCP2007-2420 DRAWN BY: BARRA 2007/05/08 CHKD: MORGAN 2007/05/17 APPR: MILLER 2007/05/18 REV: | QUALITY SYMBOLS | GENERAL TOLERANCES (UNLESS SPECIFIED) | DIMENSION STYLE | SCALE | DESIGN UNITS | THIRD ANGLE PROJECTION | |
| | $\nabla=0$ $\nabla=0$ | mm INCH | MM/IN | --- | INCH | | |
| | | 4 PLACES ± --- ± --- | DRAWN BY DATE | REED 1995/03/23 | TITLE | SALES ASSY, 1.0MM BOARD TO BOARD PLUG CONNECTOR 3.30/.130 STACK HEIGHT | |
| | | 3 PLACES ± --- ± --- | CHECKED BY DATE | REED 1995/03/23 | MATERIAL NO. | MOLEX INCORPORATED | |
| | 2 PLACES ± --- ± --- | APPROVED BY DATE | BIXLER 1995/03/23 | DOCUMENT NO. | SDA-71436-1*** | | |
| | 1 PLACE ± --- ± --- | ANGULAR ±1/2° | | SHEET NO. | 2 OF 2 | | |
| DRAFT WHERE APPLICABLE MUST REMAIN WITHIN DIMENSIONS | | SEE TABLE | | THIS DRAWING CONTAINS INFORMATION THAT IS PROPRIETARY TO MOLEX INCORPORATED AND SHOULD NOT BE USED WITHOUT WRITTEN PERMISSION | | | |