

4

3

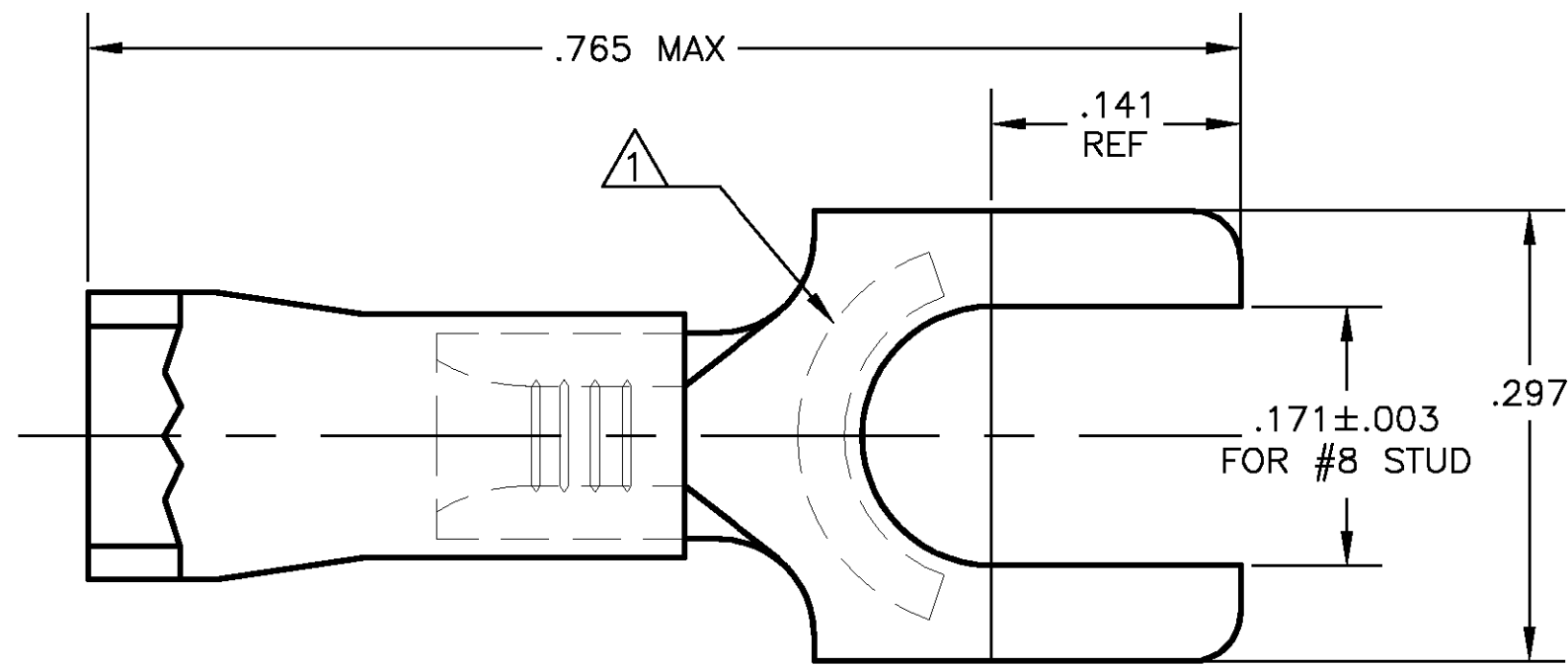
2

1

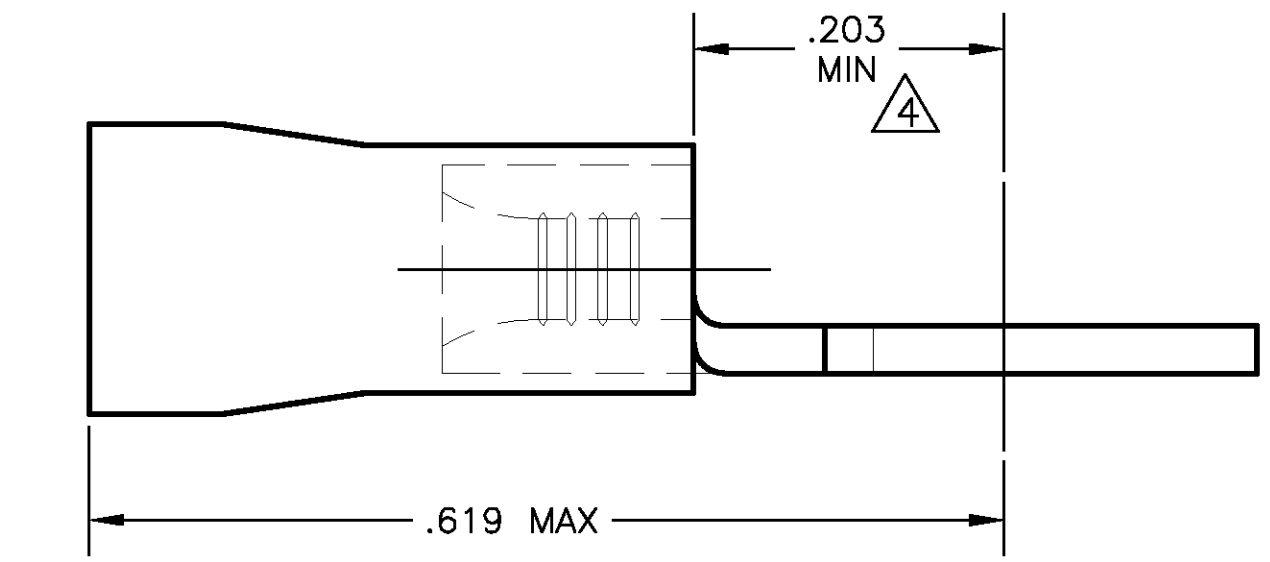
THIS DRAWING IS UNPUBLISHED. RELEASED FOR PUBLICATION
 © COPYRIGHT BY TYCO ELECTRONICS CORPORATION. ALL RIGHTS RESERVED.

LOC	DIST	REVISIONS					
G	86	P	LTR	DESCRIPTION	DATE	DWN	APVD
		B		REDRAWN PER 0G3A-0670-02	26NOV02	JR	TM

AMP
WIRE RANGE
 22-18 AWG
 SOLID OR
 STRANDED



- ① STAMP AMP 22-18*, APPROX AS SHOWN. 22-16 TERMINALS ARE STAMPED 22-18 IN ACCORDANCE WITH MILITARY SPEC MIL-T-7928, COMMERCIAL WIRE RANGE IS 22-16.
- 2 WIRE INSULATION DIA .105-.140
- 3 TONGUE MATL THK IS .031±.002
- ④ DIMENSION APPLIES FROM EDGE OF METAL WIRE BBL TO CENTER OF STUD.



1000	LOOSE PIECE	155129-1
QTY	PACKAGING	PART NO.

THIS DRAWING IS A CONTROLLED DOCUMENT.		DWN JR RUTH 26NOV2002	Tyco Electronics Corporation Harrisburg, PA 17105	
DIMENSIONS: INCHES 		CHK T MICHIELUTTI 26NOV02	NAME TERMINAL, SPADE, PLASTI-GRIP, WIRE SIZE: 22-16 AWG	
TOLERANCES UNLESS OTHERWISE SPECIFIED: 0 PLC ± - 1 PLC ± - 2 PLC ± - 3 PLC ± .005 4 PLC ± - ANGLES ± -		APVD T MICHIELUTTI 26NOV02	DRAWING NO A3 00779 C-155129	
MATERIAL -		FINISH -	PRODUCT SPEC -	RESTRICTED TO -
CUSTOMER DRAWING			SCALE 8:1	SHEET 1 OF 1
			REV B	