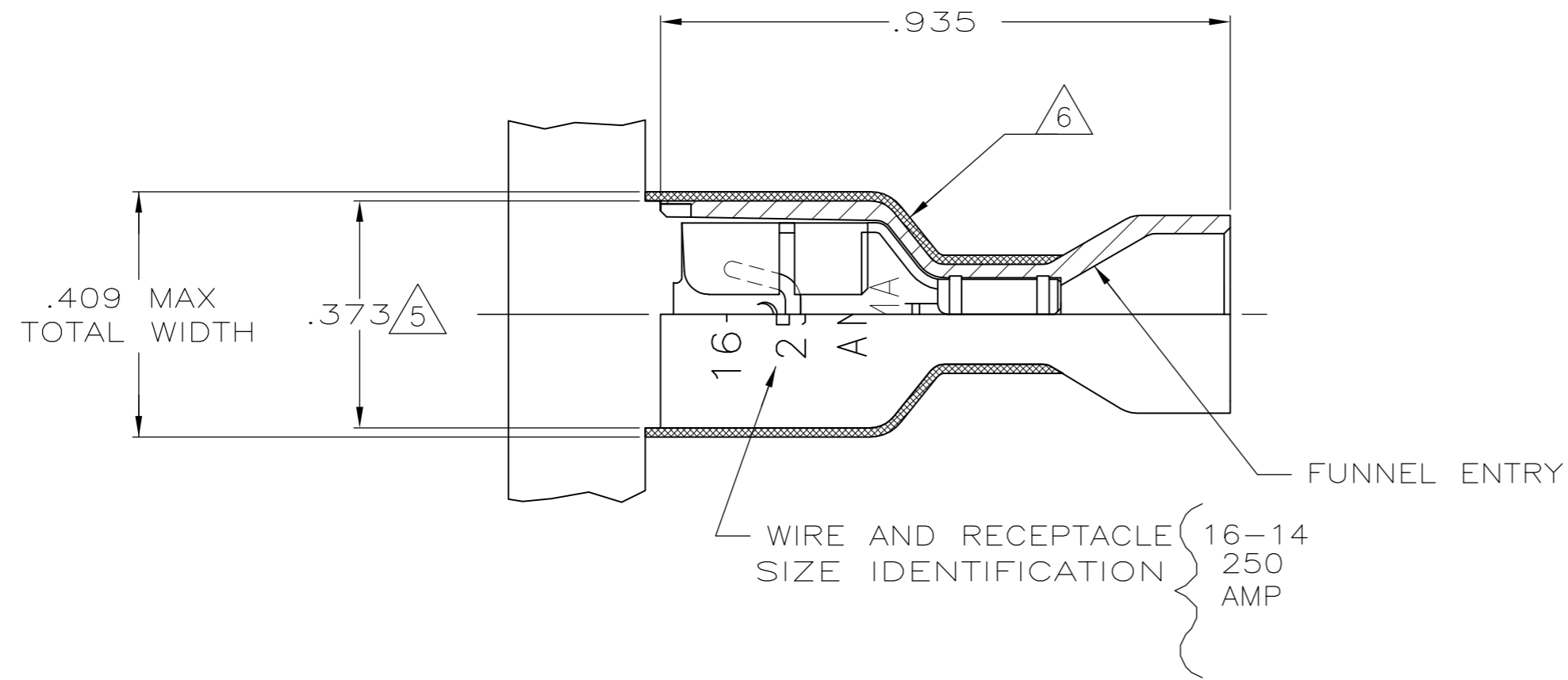
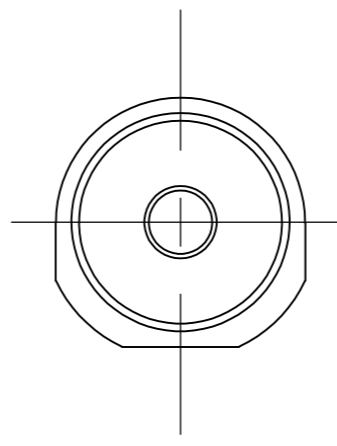
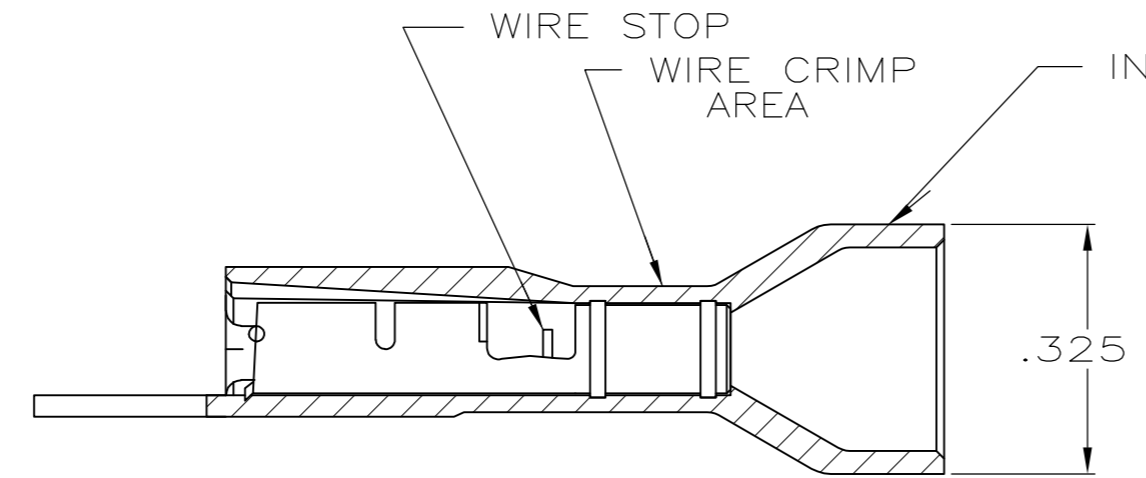
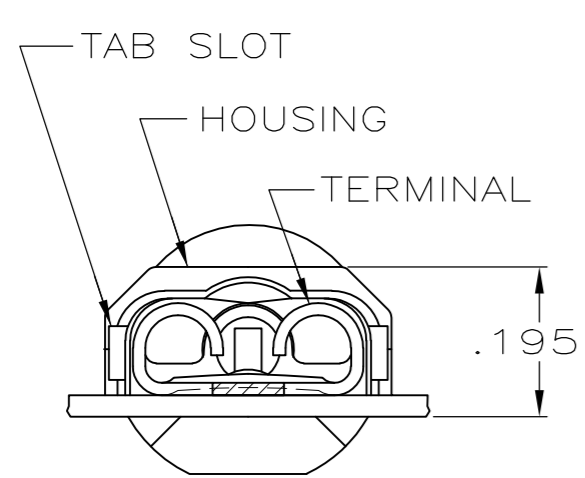


THIS DRAWING IS UNPUBLISHED. RELEASED FOR PUBLICATION  
 © COPYRIGHT - By - ALL RIGHTS RESERVED.

LOC	DIST	REVISIONS					
AF	50	P	LTR	DESCRIPTION	DATE	DWN	APVD
		P		REVISED PER ECR-12-005303	18JUL12	KH	KR



- 1 MATES WITH .032±.001x.250 TAB
- 2 WIRE STRIP LENGTH .281
- 3 INSULATION SIZE .260 MAX DIA
- 4 CONTINUOUS STRIP ON REELS
- 5 DIMENSION DOES NOT INCLUDE TRIM BURR
- 6 .015 MAX CARRIER TRIM BURR PER SIDE IS ALLOWABLE IN THE SHADED AREA
- 7 PRELIMINARY - NOT FOR PRODUCTION



STANDARD	HOUSING: NYLON, COLOR-BLACK RECEPTACLE: #3 HARD BRASS, TIN	9-520140-2
BULK	HOUSING: NYLON, COLOR-BLUE TRANSLUCENT RECEPTACLE: #3 HARD BRASS, TIN	5-520140-2
STANDARD	HOUSING: NYLON, COLOR-BLUE TRANSLUCENT RECEPTACLE: #3 HARD PH BRONZE, TIN	3-520140-4
STANDARD	HOUSING: NYLON, COLOR-BLUE TRANSLUCENT RECEPTACLE: #3 HARD BRASS, TIN	3-520140-2
PACKAGING	MATERIAL & FINISH	PART NO.

THIS DRAWING IS A CONTROLLED DOCUMENT.		DWN	JR RUTH	21NOV00	<b>TE</b> TE Connectivity		
DIMENSIONS: INCHES		CHK	MS FEHER	21NOV00			
TOLERANCES UNLESS OTHERWISE SPECIFIED:		APVD	J HUMMEL	21NOV00			
0 PLC ± - 1 PLC ± - 2 PLC ± - 3 PLC ± .015 4 PLC ± - ANGLES ± -		PRODUCT SPEC	108-2043				
MATERIAL	SEE TABLE	FINISH	SEE TABLE	APPLICATION SPEC	114-2123		
CUSTOMER DRAWING		WEIGHT	-		SIZE	A2	
SCALE		4:1		CAGE CODE	00779	DRAWING NO	520140
SHEET		1 of 1		RESTRICTED TO	-		
REV		P					