

| | | | | | |
|-------|-------|-------------|-----|-----|----|
| 11.90 | 13.54 | 504622-7010 | o | --- | 70 |
| 10.85 | 12.49 | 504622-6410 | o | --- | 64 |
| 10.15 | 11.79 | 504622-6010 | --- | --- | 60 |
| 9.80 | 11.44 | 504622-5810 | --- | --- | 58 |
| 9.10 | 10.74 | 504622-5410 | --- | --- | 54 |
| 8.40 | 10.04 | 504622-5010 | o | --- | 50 |
| 8.05 | 9.69 | 504622-4810 | --- | --- | 48 |
| 7.00 | 8.64 | 504622-4210 | --- | --- | 42 |
| 6.65 | 8.29 | 504622-4010 | o | --- | 40 |
| 6.30 | 7.94 | 504622-3810 | --- | --- | 38 |
| 5.60 | 7.24 | 504622-3410 | o | --- | 34 |
| 4.90 | 6.54 | 504622-3010 | o | --- | 30 |
| 3.85 | 5.49 | 504622-2410 | o | --- | 24 |
| 3.15 | 4.79 | 504622-2010 | o | --- | 20 |
| 2.80 | 4.44 | 504622-1810 | --- | --- | 18 |
| 2.45 | 4.09 | 504622-1610 | --- | --- | 16 |
| 1.75 | 3.39 | 504622-1210 | --- | --- | 12 |
| 1.40 | 3.04 | 504622-1010 | o | --- | 10 |
| 0.70 | 2.34 | 504622-0610 | --- | --- | 6 |

| | | | | | |
|---|---|-----------------------|--|---------------|---------|
| B | A | EMBOSSED TAPE PACKAGE | HIGH VOL. TOOL | LOW VOL. TOOL | CIRCUIT |
| | | ORDER NO. | SAMPLE PREPARATION o : TOOLED Δ : WORK IN PROCESS --- : TOOLING TO BE CONFIRMED | | |

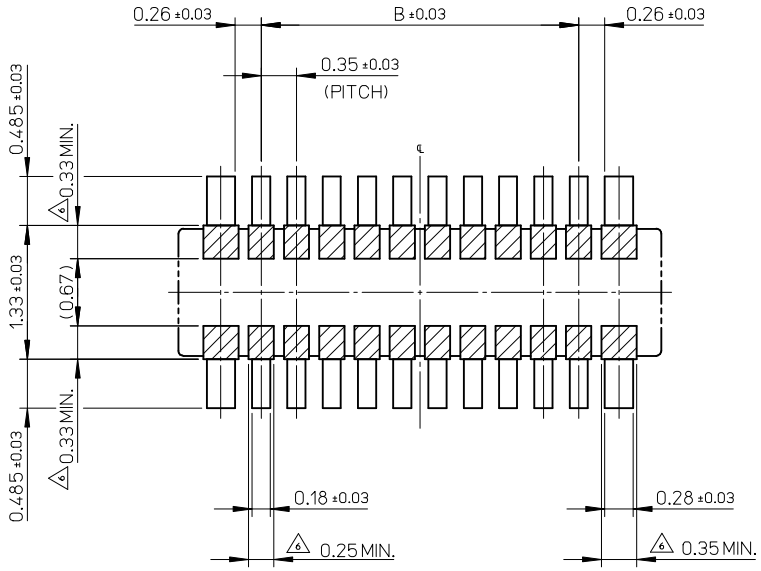
CONNECTOR SERIES No. : 504622-**09

NOTES

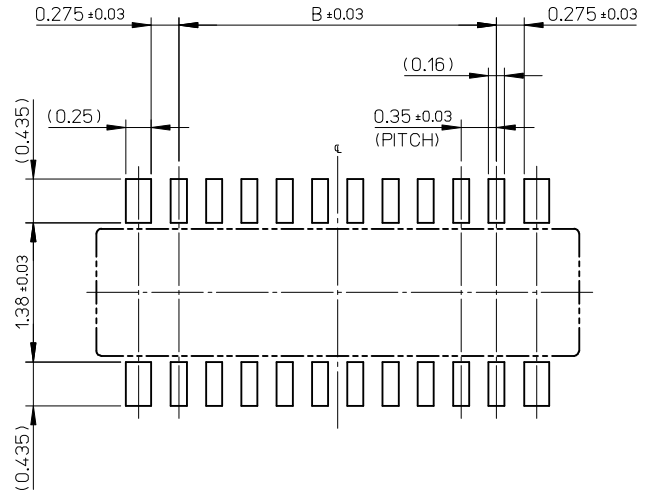
- MATERIAL
WAFER : LIQUID CRYSTAL POLYMER UL94V-0(COLOR : BLACK)
PIN : COPPER ALLOY
FITTING NAIL : COPPER ALLOY
- PLATING
TERMINAL
GOLD
UNDER PLATING : NICKEL
*DIVIDE INTO PARTS THE GOLD PLATING OF THE CONTACT AND THE TAIL PART BY THE NICKEL PLATING.
FITTING NAIL
GOLD
UNDER PLATING : NICKEL
- APPLY FOR (CIRCUIT/2)-EVEN.
- MATE WITH : 504618-***10
- TAIL AND FITTING NAIL COPLANARITY TO BE 0.08MAXIMUM.
- PROHIBITED AREA OF PATTERN WIRING AND SOLDER.
(FOR EACH AREA, THE WIRING THAT TOUCHES ON THE SOLDER CAN BE ATTACHED, THEN COVERED WITH A FILM TO KEEP SOLDER OUT.)
- ELV and RoHS COMPLIANT.
- ELECTRIC SPEC OF FITTING NAIL IS NOT GUARANTEED WHEN MATED.

| | | | | | | | |
|---------|---------------------------|--|-------|-----------------|---|---------------------------------------|------------------------|
| REVISED | EC NO. : J2015-0816 | GENERAL TOLERANCES (UNLESS SPECIFIED) | | DIMENSION STYLE | SCALE | DESIGN UNITS | THIRD ANGLE PROJECTION |
| | DRWN:MYOSHIDA 2014/12/16 | 10 UNDER | ±0.2 | MM ONLY | 20:1 | METRIC | |
| | CHKD:RTAKEUCHI 2014/12/16 | 10 OVER 30 UNDER | ±0.25 | DRAWN BY | DATE | TITLE | |
| | APPR:KMORIKAWA 2014/12/17 | 30 OVER | ±0.3 | HON001 | 2014/02/24 | 0.35 BB CONN. H=0.6 SSB6 PLUG ASSY | |
| REV | DESCRIPTION | ANGULAR | ±1 ° | CHECKED BY | DATE | APPROVED BY | DATE |
| | | DRAFT WHERE APPLICABLE MUST REMAIN WITHIN DIMENSIONS | | RTAKEUCHI | 2014/02/24 | KMORIKAWA | 2014/04/17 |
| | | | | MATERIAL NO. | SEE CHART | | DOCUMENT NO. |
| | | | | SIZE | THIS DRAWING CONTAINS INFORMATION THAT IS PROPRIETARY TO MOLEX INCORPORATED AND SHOULD NOT BE USED WITHOUT WRITTEN PERMISSION | | SHEET NO. |
| | | | | A3 | | | 1 OF 2 |



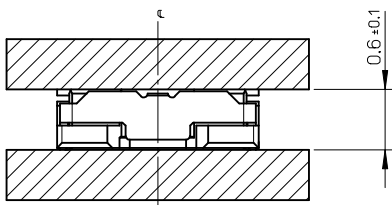


RECOMMENDED P.W.BOARD PATTERN LAYOUT(REFERENCE)



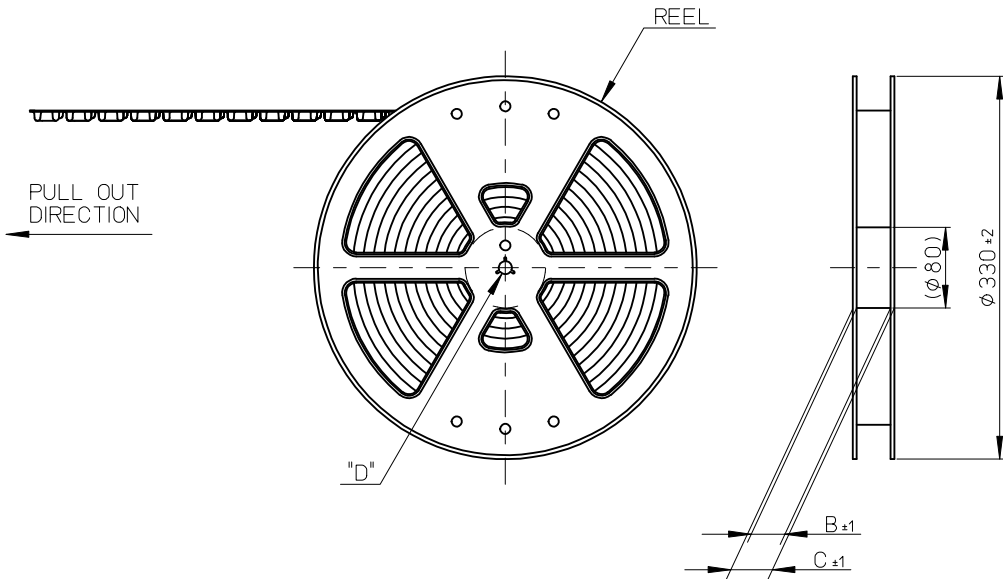
RECOMMENDED METAL MASK LAYOUT(REFERENCE)

RECOMMENDED THICKNESS OF METAL MASK : t=0.08mm
 RECOMMENDED OPEN APERTURE RATIO OF METAL MASK : 80%



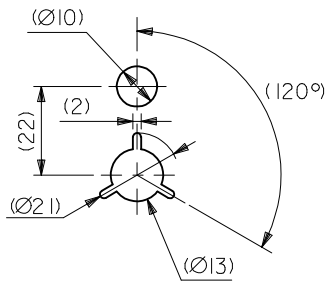
MATED CONDITION

| | | | | | | | | |
|--|--|---|----------------------------|-------------------------------|--|------------------------|------------------------|--|
| REVISED EC NO: J2015-0816 DRWN:MYOSHIDA 2014/12/16 CHKD:RTAKEUCHI 2014/12/16 APPR:KMORIKAWA 2014/12/17 | GENERAL TOLERANCES (UNLESS SPECIFIED) | | DIMENSION STYLE MM ONLY | | SCALE 20:1 | DESIGN UNITS METRIC | THIRD ANGLE PROJECTION | |
| | 10 UNDER | ± 0.2 | DRAWN BY HON001 | DATE 2014/02/24 | TITLE 0.35 BB CONN. H=0.6 SSB6 PLUG ASSY | | | |
| | 10 OVER 30 UNDER | ± 0.25 | CHECKED BY RTAKEUCHI | DATE 2014/02/24 | | | | |
| | 30 OVER | ± 0.3 | APPROVED BY KMORIKAWA | DATE 2014/04/17 | | | | |
| | ANGULAR ± 1 ° | MATERIAL NO. SEE SHEET 1 | | DOCUMENT NO. SD-504622-001 | | SHEET NO. 2 OF 2 | | |
| | DRAFT WHERE APPLICABLE MUST REMAIN WITHIN DIMENSIONS | THIS DRAWING CONTAINS INFORMATION THAT IS PROPRIETARY TO MOLEX INCORPORATED AND SHOULD NOT BE USED WITHOUT WRITTEN PERMISSION | | | | | | |



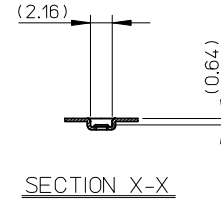
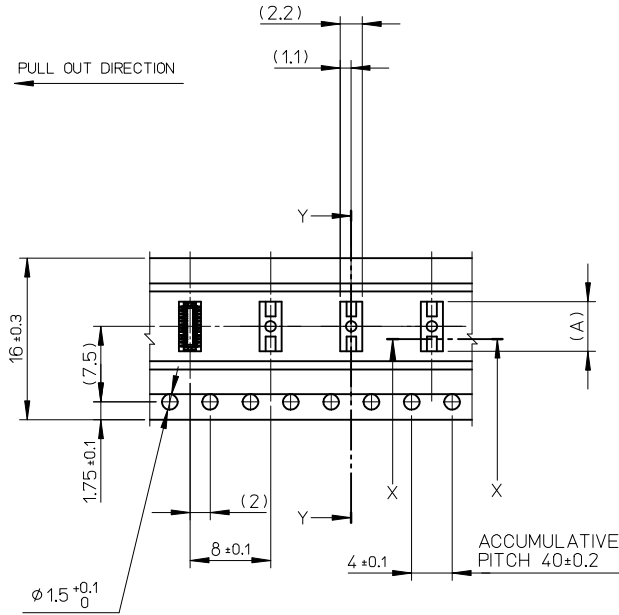
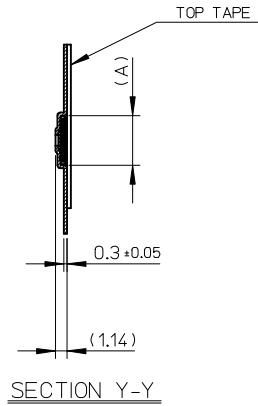
NOTES

- RE DETAILED DIMENSION, SEE PRODUCT DRAWING.
 - NUMBER OF CONNECTORS : 3000PCS/REEL
 - LEAD TAPE LENGTH
-
- TOP TAPE PEEL FORCE IS DEFINED BY IEC60286-3.
 - MATERIAL
 CARRIER TAPE : POLYSTYRENE
 TOP TAPE : PET , OTHER
 REEL : POLYSTYRENE (PS) <RECYCLE MATERIAL CONTAINED>
 - ELV AND RoHS COMPLIANT



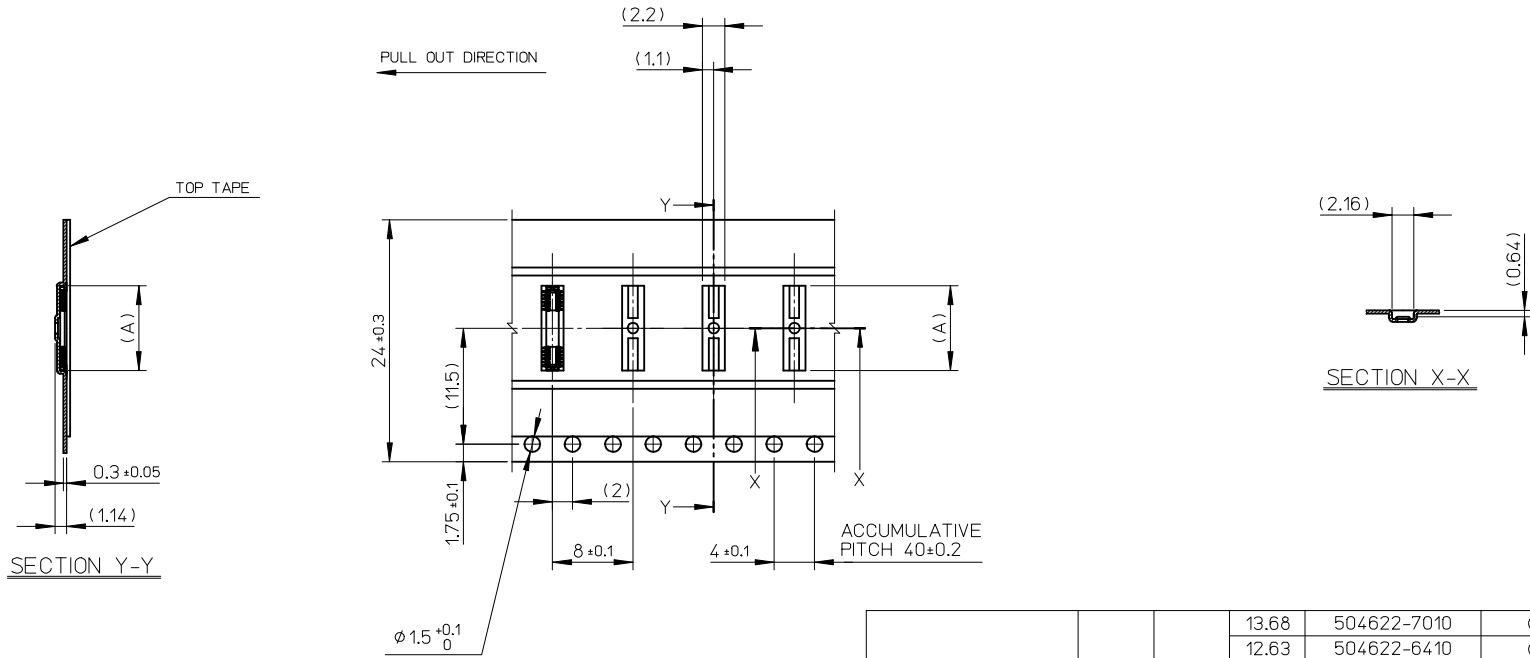
DETAIL "D"

| | | | | | | |
|--|---|--|--|---|---|--------------|
| REVISED EC NO: J2015-0816 DRWN:MYOSHIDA 2014/12/16 CHKD:RTAKEUCHI 2014/12/16 APPR:KMORIKAWA 2014/12/17 | GENERAL TOLERANCES (UNLESS SPECIFIED) | | DIMENSION STYLE | SCALE | MODEL NO. | 504622-**10 |
| | | | MM ONLY | 1:5 | DESIGN UNITS | METRIC |
| | 10 UNDER ± 0.2 10 OVER 30 UNDER ± 0.25 30 OVER ± 0.3 ANGULAR ± 1 ° DRAFT WHERE APPLICABLE MUST REMAIN WITHIN DIMENSIONS | | DRAWN BY HON001 DATE 2014/02/24 CHECKED BY RTAKEUCHI DATE 2014/02/24 APPROVED BY KMORIKAWA DATE 2014/04/17 MATERIAL NO. SEE CHART | TITLE | 0.35 BB CONN. H=0.6 SSB6 PLUG ASSY EMBSTP PKG molex | |
| | | | SIZE | THIS DRAWING CONTAINS INFORMATION THAT IS PROPRIETARY TO MOLEX INCORPORATED AND SHOULD NOT BE USED WITHOUT WRITTEN PERMISSION | | DOCUMENT NO. |
| | | | | | SHEET NO. | 1 OF 3 |



| | | | | | | | | |
|--------------------------------|-------------|------|------|--|-----------------------|----------------|---------------|---------|
| 16 | 21.4 | 17.4 | 6.88 | 504622-3010 | ○ | --- | 30 | |
| | | | 5.63 | 504622-2410 | ○ | --- | 24 | |
| | | | 4.93 | 504622-2010 | ○ | --- | 20 | |
| | | | 4.58 | 504622-1810 | --- | --- | 18 | |
| | | | 4.23 | 504622-1610 | --- | --- | 16 | |
| | | | 3.53 | 504622-1210 | --- | --- | 12 | |
| | | | 3.18 | 504622-1010 | ○ | --- | 10 | |
| 2.48 | 504622-0610 | --- | --- | 6 | | | | |
| キャリアテープ幅 CARRIER TAPE WIDTH | | C | B | (A) | EMBOSSED TAPE PACKAGE | HIGH VOL. TOOL | LOW VOL. TOOL | CIRCUIT |
| ORDER NO. | | | | SAMPLE PREPARATION ○ : TOOLED △ : WORK IN PROCESS --- : TOOLING TO BE CONFIRMED | | | | |

| | | | | | | | | | |
|---|--------------------|--|--------|----------------------------|--------------------|--|------------------------|------------------------|--|
| REVISED EC NO: J2015-0816 DRWN: MYOSHIDA 2014/12/16 CHKD: RTAKEUCHI 2014/12/16 APPR: KMORIKAWA 2014/12/17 | DESCRIPTION REV | GENERAL TOLERANCES (UNLESS SPECIFIED) | | DIMENSION STYLE MM ONLY | | SCALE 2:1 | DESIGN UNITS METRIC | THIRD ANGLE PROJECTION | |
| | | 10 UNDER | ± 0.2 | DRAWN BY HON001 | DATE 2014/02/24 | TITLE 0.35 BB CONN. H=0.6 SSB6 PLUG ASSY EMBSTP PKG | | | |
| | | 10 OVER 30 UNDER | ± 0.25 | CHECKED BY RTAKEUCHI | DATE 2014/02/24 | | | | |
| | | 30 OVER | ± 0.3 | APPROVED BY KMORIKAWA | DATE 2014/04/17 | | | | |
| ANGULAR ± 1 ° | | DRAFT WHERE APPLICABLE MUST REMAIN WITHIN DIMENSIONS | | MATERIAL NO. SEE CHART | | DOCUMENT NO. SD-504622-002 | SHEET NO. 2 OF 3 | | |
| THIS DRAWING CONTAINS INFORMATION THAT IS PROPRIETARY TO MOLEX INCORPORATED AND SHOULD NOT BE USED WITHOUT WRITTEN PERMISSION | | | | | | | | | |



| | | | | | | | | | |
|--------------------------------|-------------|------|--|-------------|-----|-----------------------|----------------|---------------|---------|
| 24 | 29.4 | 25.4 | 13.68 | 504622-7010 | o | --- | 70 | | |
| | | | 12.63 | 504622-6410 | o | --- | 64 | | |
| | | | 11.93 | 504622-6010 | --- | --- | 60 | | |
| | | | 11.58 | 504622-5810 | --- | --- | 58 | | |
| | | | 10.88 | 504622-5410 | --- | --- | 54 | | |
| | | | 10.18 | 504622-5010 | o | --- | 50 | | |
| | | | 9.83 | 504622-4810 | --- | --- | 48 | | |
| | | | 8.78 | 504622-4210 | --- | --- | 42 | | |
| | | | 8.43 | 504622-4010 | o | --- | 40 | | |
| | | | 8.08 | 504622-3810 | --- | --- | 38 | | |
| 7.38 | 504622-3410 | o | --- | 34 | | | | | |
| キャリアテープ幅 CARRIER TAPE WIDTH | | | C | B | (A) | EMBOSSED TAPE PACKAGE | HIGH VOL. TOOL | LOW VOL. TOOL | CIRCUIT |
| ORDER NO. | | | SAMPLE PREPARATION o : TOOLED Δ : WORK IN PROCESS --- : TOOLING TO BE CONFIRMED | | | | | | |

| | | | | | | | | |
|--|---------------------------------------|---|-----------------------------------|--------------------|---|-------------------------------|------------------------|--|
| REVISED EC NO: J2015-0816 DRWN: MYOSHIDA 2014/12/16 CHKD: RTAKEUCHI 2014/12/16 APPR: KMORIKAWA 2014/12/17 | GENERAL TOLERANCES (UNLESS SPECIFIED) | | DIMENSION STYLE MM ONLY | | SCALE 2:1 | DESIGN UNITS METRIC | THIRD ANGLE PROJECTION | |
| | 10 UNDER | ± 0.2 | DRAWN BY HON001 | DATE 2014/02/24 | TITLE 0.35 BB CONN. H=0.6 SSB6 PLUG ASSY EMBSTP PKG | | | |
| | 10 OVER 30 UNDER | ± 0.25 | CHECKED BY RTAKEUCHI | DATE 2014/02/24 | | | | |
| | 30 OVER | ± 0.3 | APPROVED BY KMORIKAWA | DATE 2014/04/17 | | | | |
| | ANGULAR ± 1 ° | | MATERIAL NO. SEE CHART | | DOCUMENT NO. SD-504622-002 | SHEET NO. 3 OF 3 | | |
| DRAFT WHERE APPLICABLE MUST REMAIN WITHIN DIMENSIONS | | THIS DRAWING CONTAINS INFORMATION THAT IS PROPRIETARY TO MOLEX INCORPORATED AND SHOULD NOT BE USED WITHOUT WRITTEN PERMISSION | | | | | | |