

MAGNASPHERE® MSS-300



MAGNASPHERE introduces the **MSS-300 Series, Recessed and Surface-Mount Contacts** that offer two or three separate contact outputs

- Ideal for installations where a single contact is desired for use with multiple independent systems (e.g. IDS and ACS) and Home Automation applications

MAGNASPHERE MSS-300 Technology

In response to a request from the U.S. Department of State, MAGNASPHERE has introduced both a 1" concealed and a Surface Mount version of multiple switch contacts for non-high security installations. Each style offers individual contacts made with Magnasphere BMS switch technology in two and three contact configurations and both Open and Closed Loop variations, depending on installation requirements. The MSS-300 Series provides a single switch solution for monitoring multiple systems (Intrusion Detection and Access Control) and for Home Automation applications.

Older style security contacts have been made with a decades-old technology call the Reed switch, which have three inherent weaknesses when used as security contacts. They are (1) Easily defeated with magnets (2) Prone to permanent contact weld failure (lightning, power surges) and (3) Fragile (made mostly of glass, they are subject to damage even when packaged as security contacts).

The unique Magnasphere switch used in these devices renders the MSS-300 series products virtually unbreakable and highly resistant to permanent contact welding and outsider magnetic defeat.

- Multiple (2 or 3) individual contact outputs
- Available in closed and open loop configurations
- Available in 1" diameter low profile recessed, and surface-mount, armored cable versions
- Compatible with all control panels
- American-made with patented MAGNASPHERE switch technology
- Resists permanent contact welding (power surges, stun guns, lightning)
- Highest level of security for every installation

PATENTED DESIGN

#5977873, #RE39731, #6506987, #6303845, #6603378 & Other Patents Pending

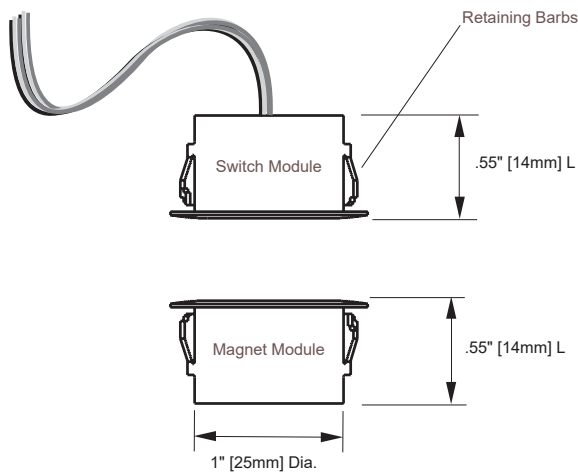


MAGNASPHERE® MSS-300

CONSTRUCTION AND TECHNICAL SPECIFICATIONS MSS-3XXC (Concealed / Recessed Contacts)

MODEL MSS-3XXC

Concealed / Recessed Security Sensor

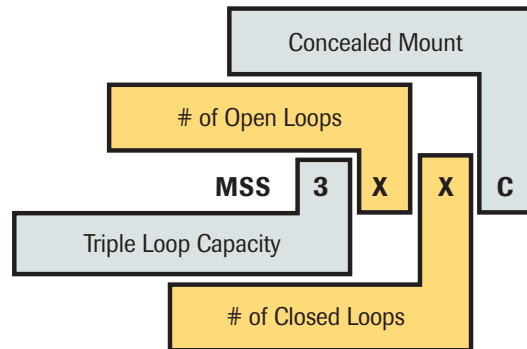


Max Current: 0.25 A Resistive

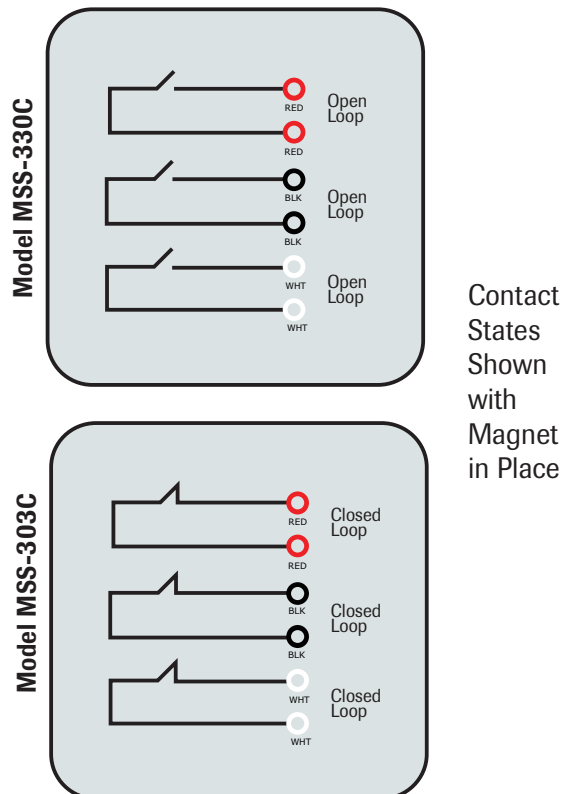
Max Power: 0.25 W Resistive

Max Voltage: 30 VDC

Intended for connection to UL Listed compatible control panels for U.S. applications and a ULC Listed compatible control panel for Canadian applications



EXAMPLES



MAGNASPHERE® Corp. provides superior performing magnetic contact sensor technology for the residential, commercial, and federal government security markets. The MSS series leading-edge technology aims to set new industry standards for security sensors while providing an affordable and more effective alternative to reed-based security contacts.

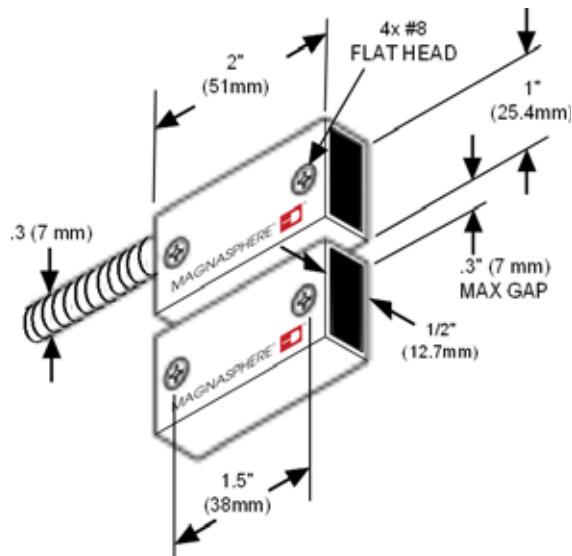
To learn more about the MAGNASPHERE® MSS series visit www.MAGNASPHERE.com or call 262-347-0711.

MAGNASPHERE® MSS-300

CONSTRUCTION AND TECHNICAL SPECIFICATIONS MSS-3XXS (Surface-Mount Contacts)

MODEL MSS-3XXS

Surface-Mounted Security Sensor

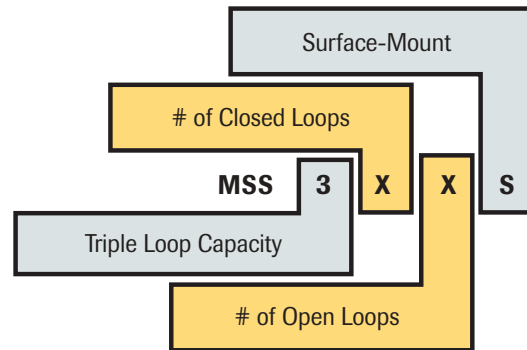


Max Current: 0.25 A Resistive

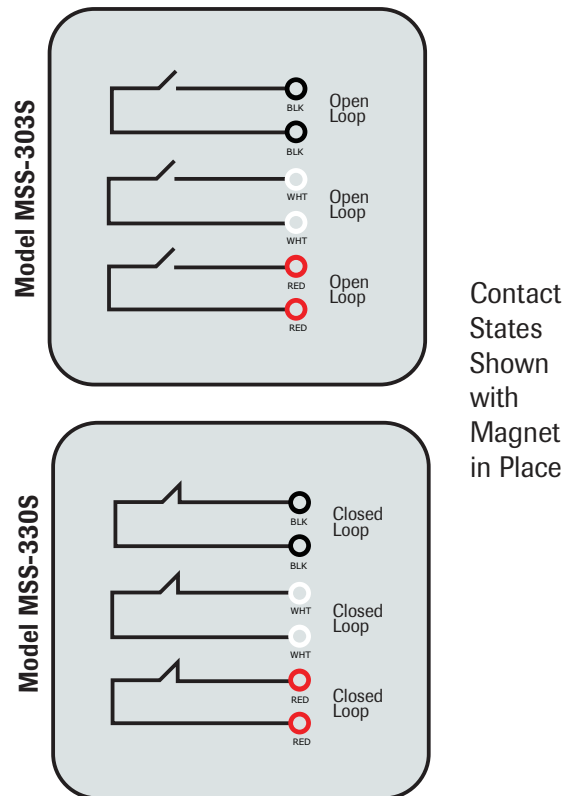
Max Power: 0.25 W Resistive

Max Voltage: 30 VDC

Intended for connection to UL Listed compatible control panels for U.S. applications and a ULC Listed compatible control panel for Canadian applications



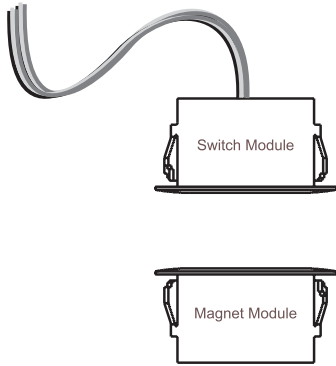
EXAMPLES



MAGNASPHERE® Corp. provides superior performing magnetic contact sensor technology for the residential, commercial, and federal government security markets. The MSS series leading-edge technology aims to set new industry standards for security sensors while providing an affordable and more effective alternative to reed-based security contacts.

To learn more about the MAGNASPHERE® MSS series visit www.MAGNASPHERE.com or call 262-347-0711.

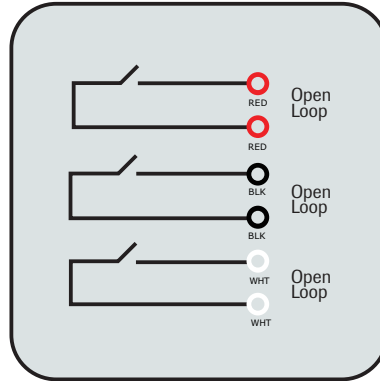
MAGNASPHERE® MSS-300



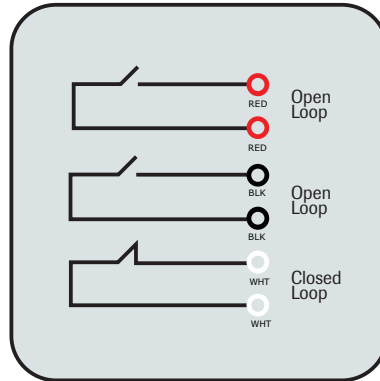
MSS-3XXC Wiring Schematics

Contact States
Shown with
Magnet in Place

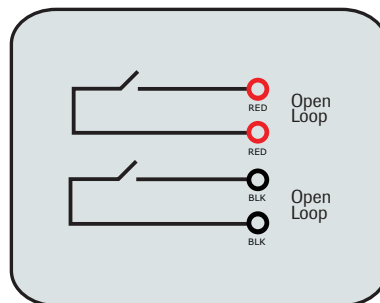
Model MSS-330C



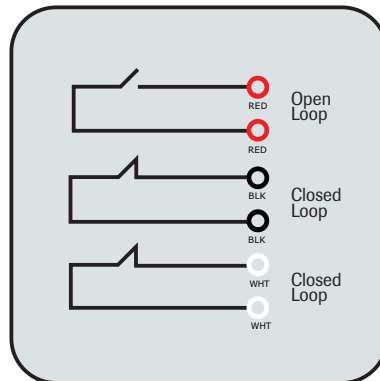
Model MSS-321C



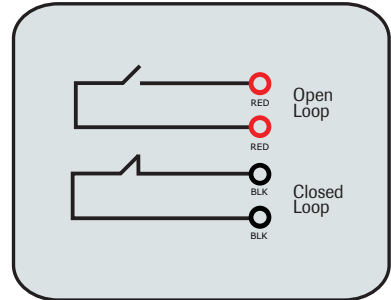
Model MSS-320C



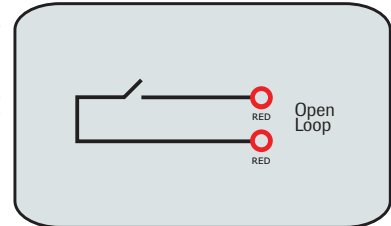
Model MSS-312C



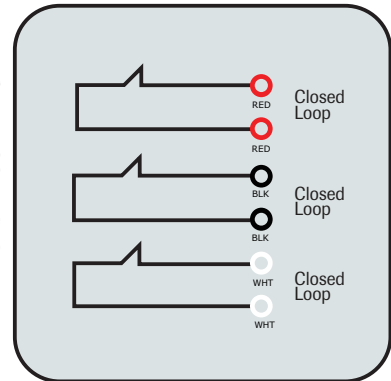
Model MSS-311C



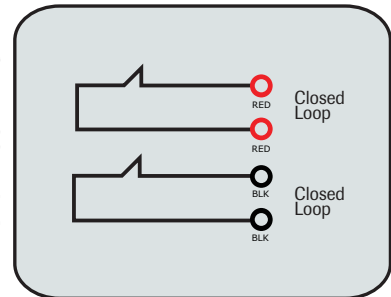
Model MSS-310C



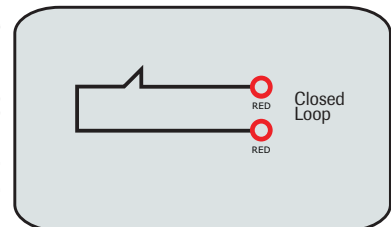
Model MSS-303C



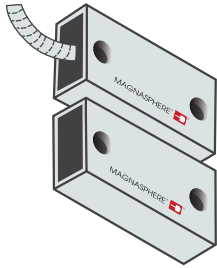
Model MSS-302C



Model MSS-301C



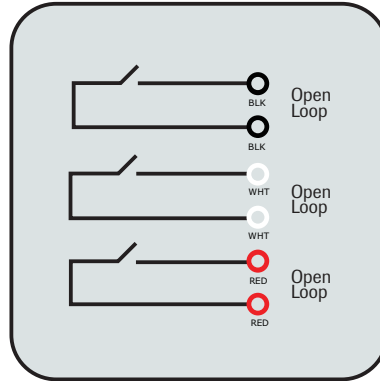
MAGNASPHERE® MSS-300



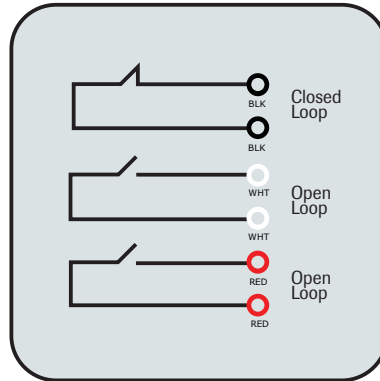
MSS-3XXS Wiring Schematics

Contact States
Shown with
Magnet in Place

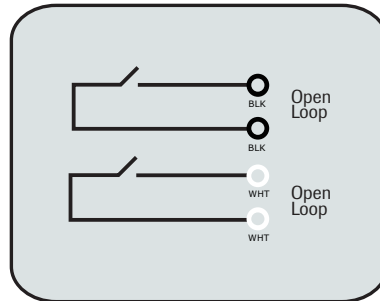
Model MSS-303S



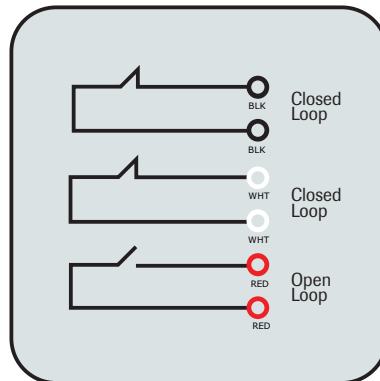
Model MSS-312S



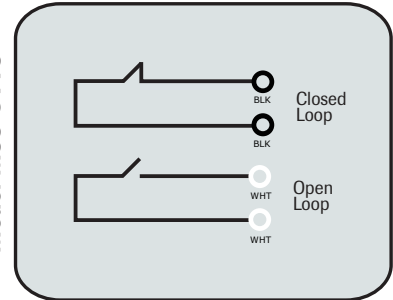
Model MSS-302S



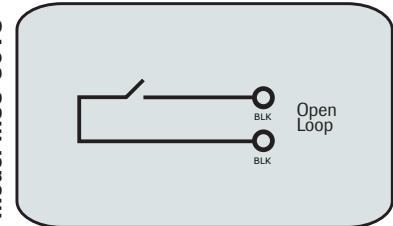
Model MSS-321S



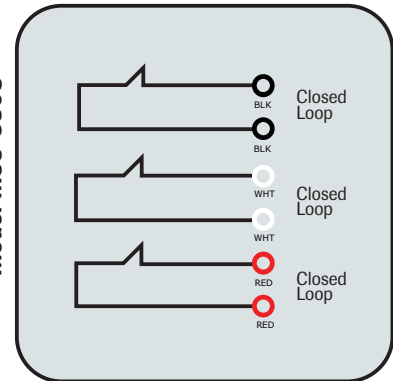
Model MSS-311S



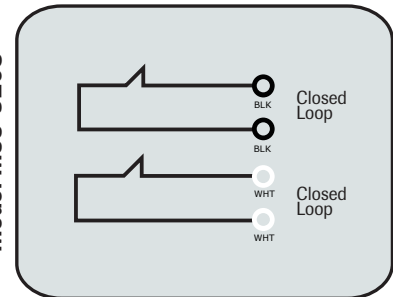
Model MSS-301S



Model MSS-330S



Model MSS-320S



Model MSS-310S

