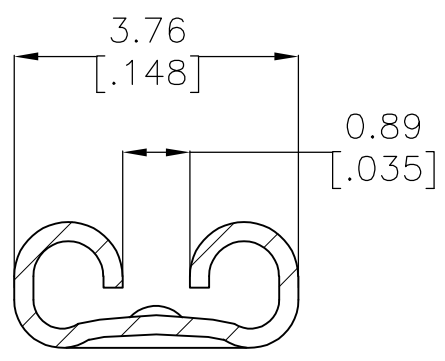
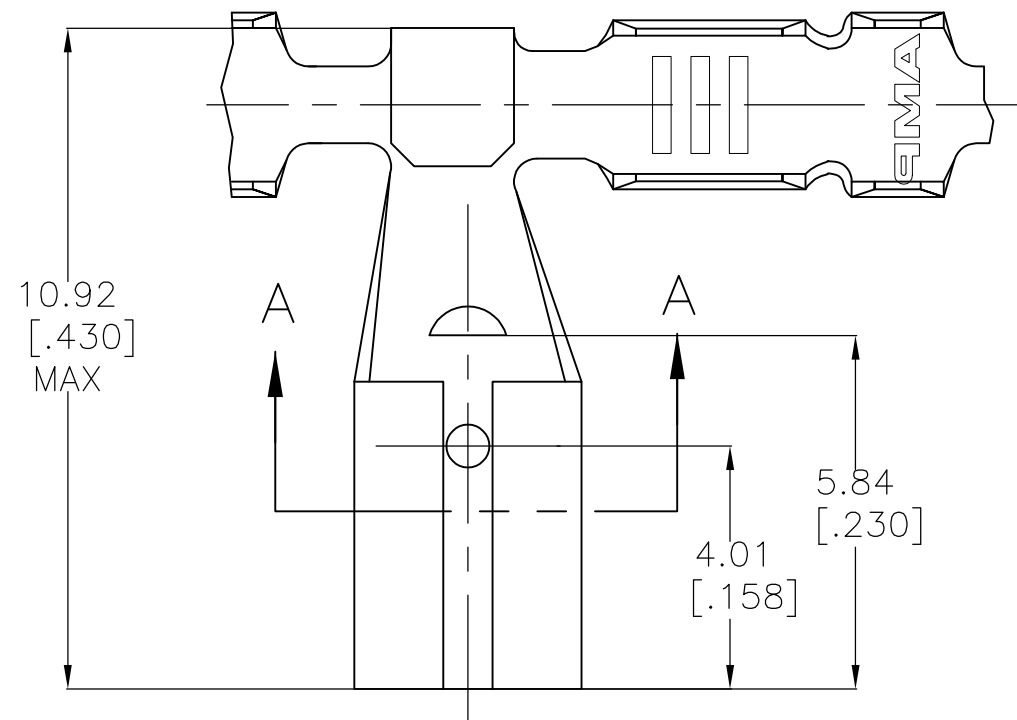


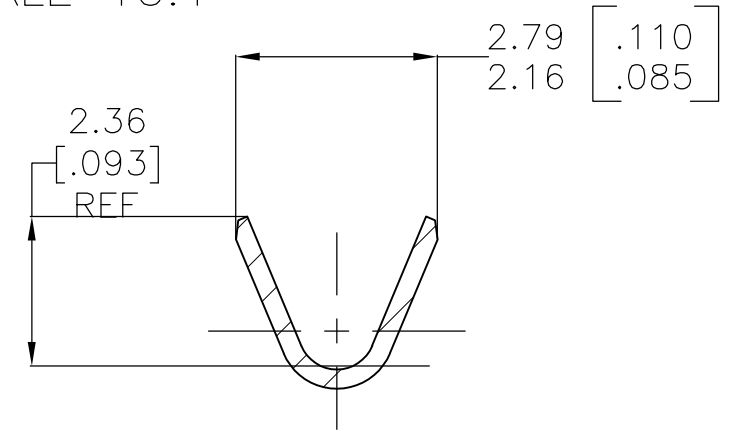
THIS DRAWING IS UNPUBLISHED. RELEASED FOR PUBLICATION
 © COPYRIGHT - By - ALL RIGHTS RESERVED.

LOC	DIST	REVISIONS			
P	LTR	DESCRIPTION	DATE	DWN	APVD
AF	50	B	REVISED PER ECR-12-013518	26NOV12	KH PD

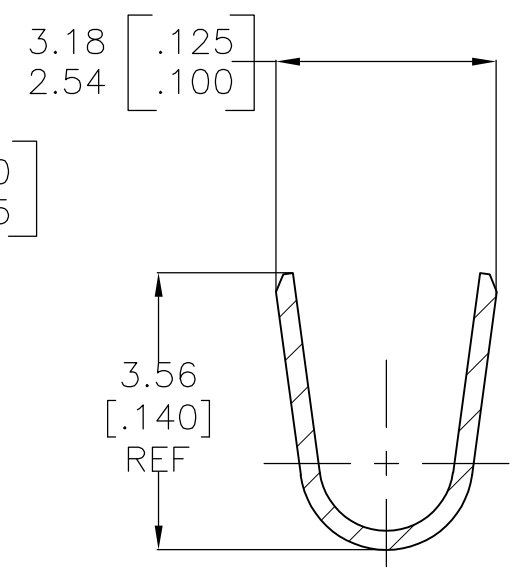
- 1 CONTINUOUS STRIP ON REELS
- 2 WIRE SIZE IS #22-#18 AWG
- 3 INSULATION DIA IS 2.03-2.54 [.080-.100]
- 4 MATING TAB THK IS 0.41±0.025 [.016±.001].



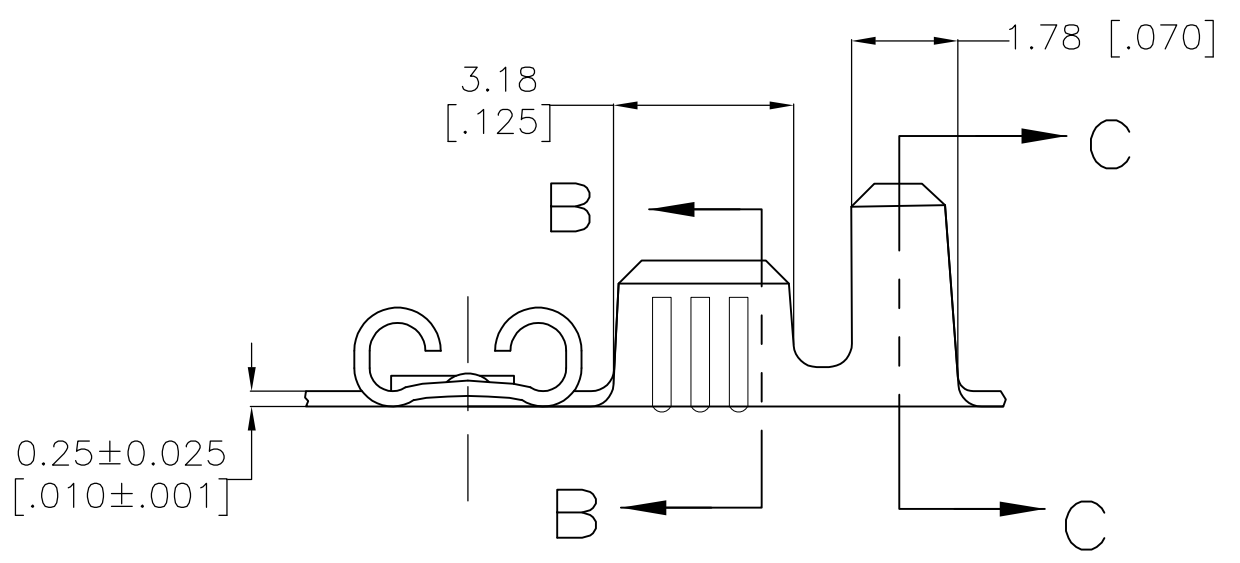
SECTION A-A
SCALE 10:1



SECTION B-B
SCALE 10:1



SECTION C-C
SCALE 10:1



1742613-1
PART NO.

THIS DRAWING IS A CONTROLLED DOCUMENT.		DWN JR RUTH 21JUN07	TE Connectivity		
DIMENSIONS: mm [INCHES]		CHK MS FEHER 21JUN07			
TOLERANCES UNLESS OTHERWISE SPECIFIED:		APVD P DESANTIS 21JUN07	NAME RECEPTACLE, FASTON, FLAG, 2.79 [.110] SERIES		
0 PLC ± - 1 PLC ± - 2 PLC ± 0.25 [.010] 3 PLC ± - 4 PLC ± - ANGLES ± -		PRODUCT SPEC -	APPLICATION SPEC -		
MATERIAL BRASS	FINISH PRE-TIN	WEIGHT -	SIZE A3	CAGE CODE 00779	DRAWING NO C-1742613
CUSTOMER DRAWING			SCALE 8:1	SHEET 1 OF 1	REV B