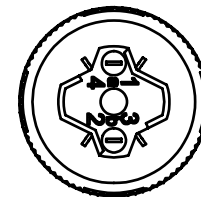
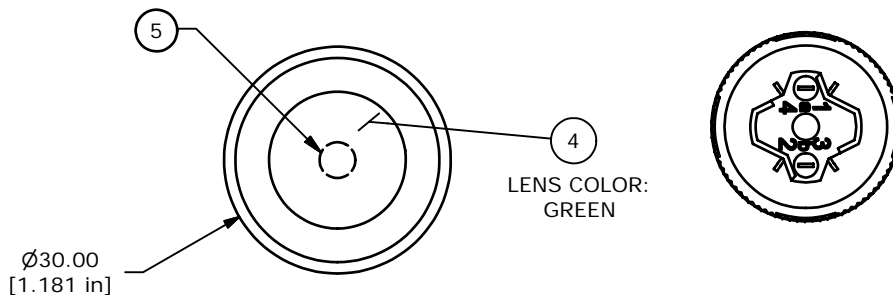


ISOMETRIC

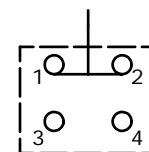
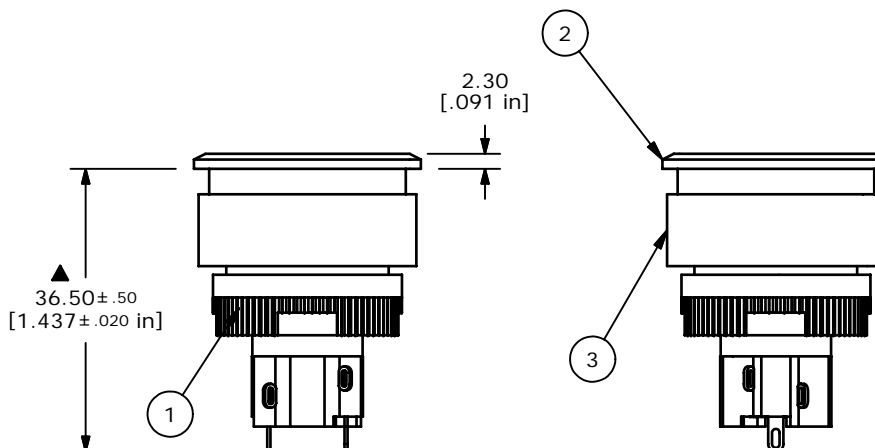


| ▲ Parts List | | | | |
|--------------|-----|-------------|-------------------------|--|
| ITEM | QTY | PART NUMBER | DESCRIPTION | |
| 1 | 1 | F060606 | LASOAV11 BODY | |
| 2 | 1 | F051704 | V3 FLUSH MOUNT BEZEL | |
| 3 | 1 | F051705 | V3 FLUSH MOUNT RETAINER | |
| 4 | 1 | F060254 | 25MM GRN LENS OPAQUE | |
| 5 | 1 | F050423 | LED 24VDC GREEN | |



NOTES:

- ALL DIMENSIONS IN MM [INCH].
- GENERAL TOLERANCE: 0.0 ± 0.4
 0.00 ± 0.25
- TERM. NOS. FOR REF. ONLY.
- RATING: 5A @250VAC
8A @125VAC
.2A @250VDC
6A @24VDC
- INSULATION: 1,000 M Ω MIN.
- DIELECTRIC STRENGTH: 2000V FOR 1 MIN.
- SEALED TO IP65.
- TRAVEL: 3.0MM FULL TRAVEL
- ELECTRICAL LIFE: >50,000 CYCLES
- OPERATING TEMP: -25C TO +55C
- PANEL THICKNESS: 0.5MM TO 3.0MM
- LAMP VOLTAGE: LED, 24VDC GREEN
- ▲ DENOTES CRITICAL PARAMETER.
- 2002/95/EC (ROHS) COMPLIANT



▲ SPDT CONTACT CONFIGURATION



| | | | | |
|-----|--------|-------------------------|---------|-----|
| A | 18464 | RELEASED FOR PRODUCTION | 3/31/09 | BLR |
| REV | PCR NO | DESCRIPTION | DATE | BY |

| | | | | |
|-----------------------|----------------|--------|-------------|-------|
| TITLE LASOAV31KGRNGRN | | | | |
| SCALE 1:1 | DATE 3/31/2009 | DR BLR | DWG XF0791P | REV A |

THE INFORMATION CONTAINED IN THIS DOCUMENT IS PROPRIETARY TO E-SWITCH AND IS NOT TO BE COPIED OR TRANSFERRED