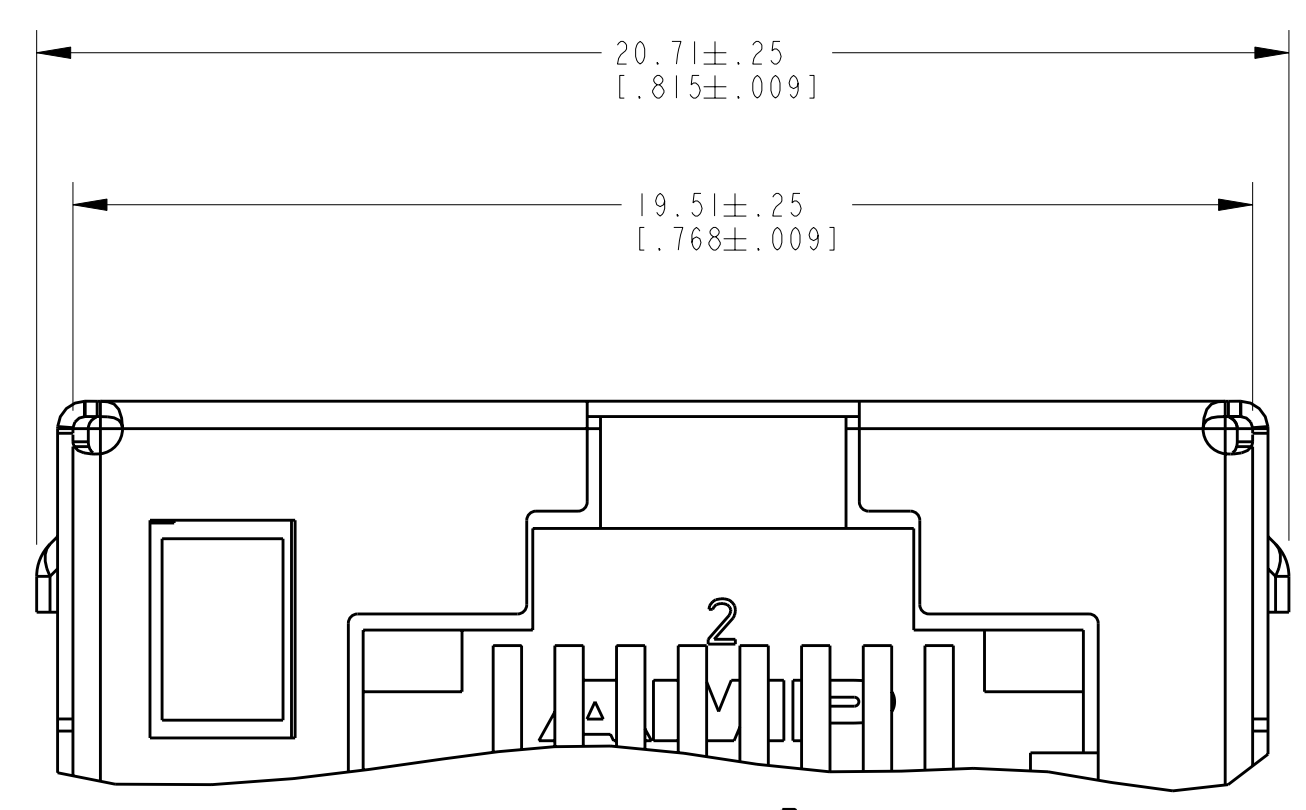
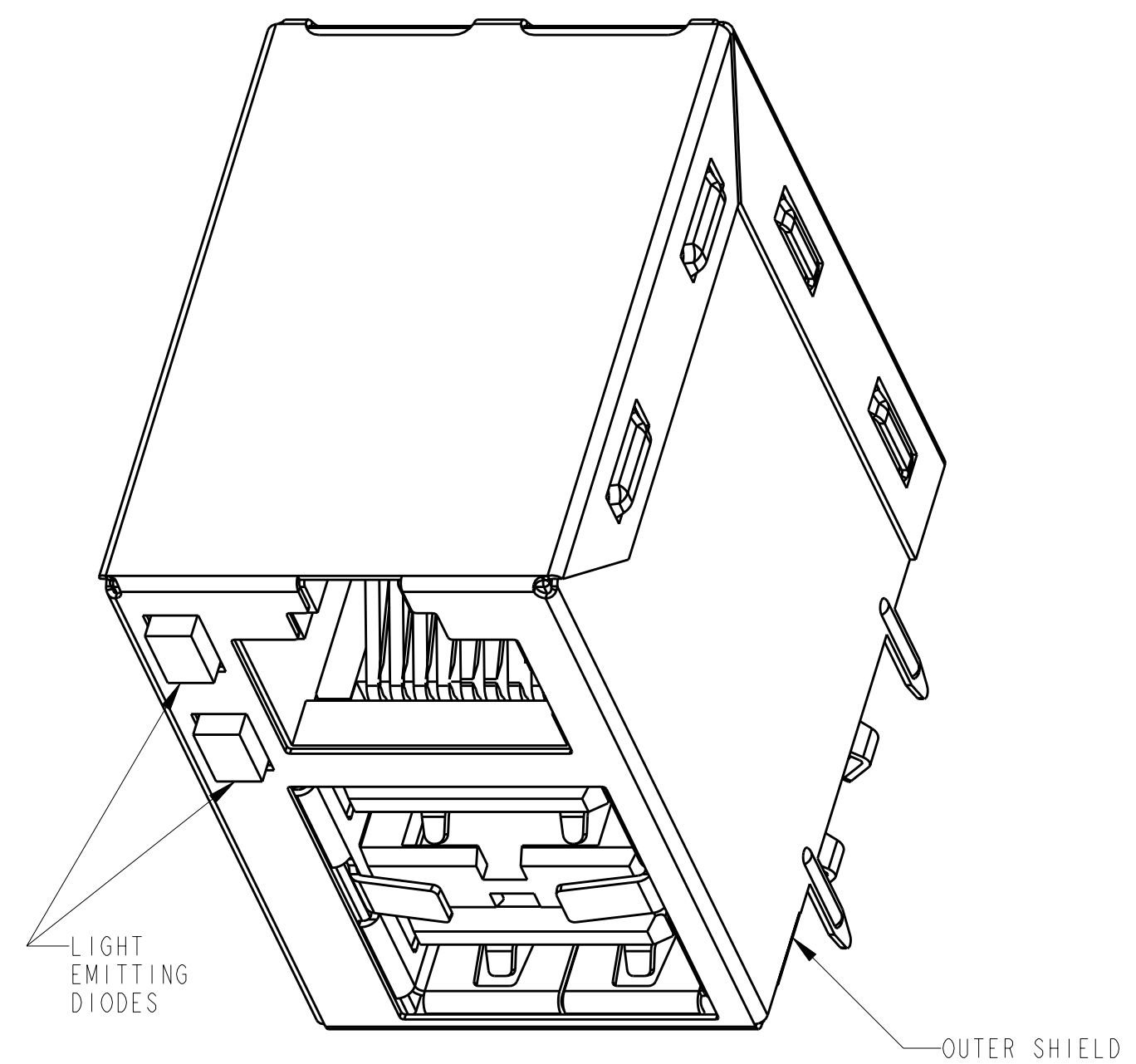
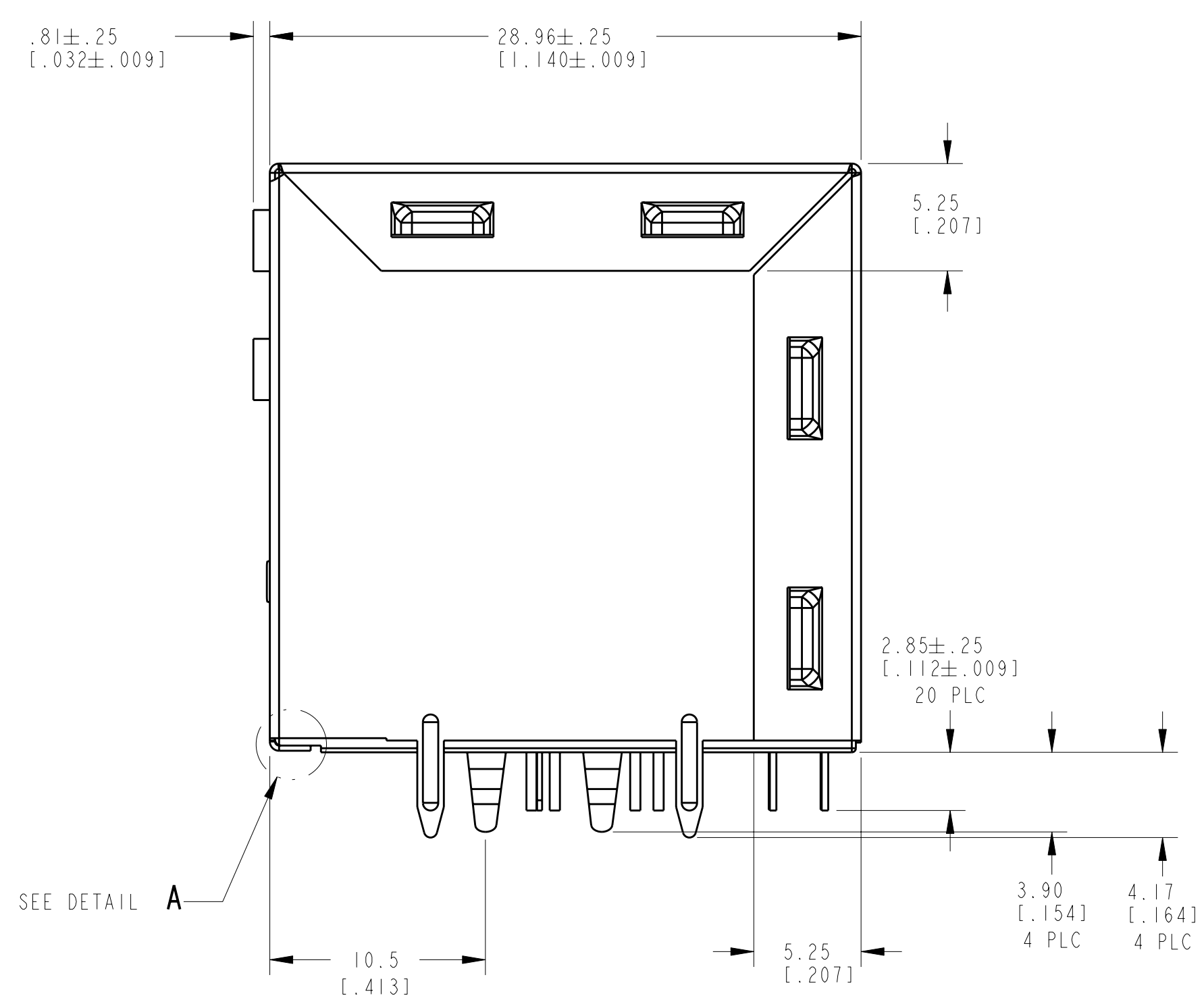
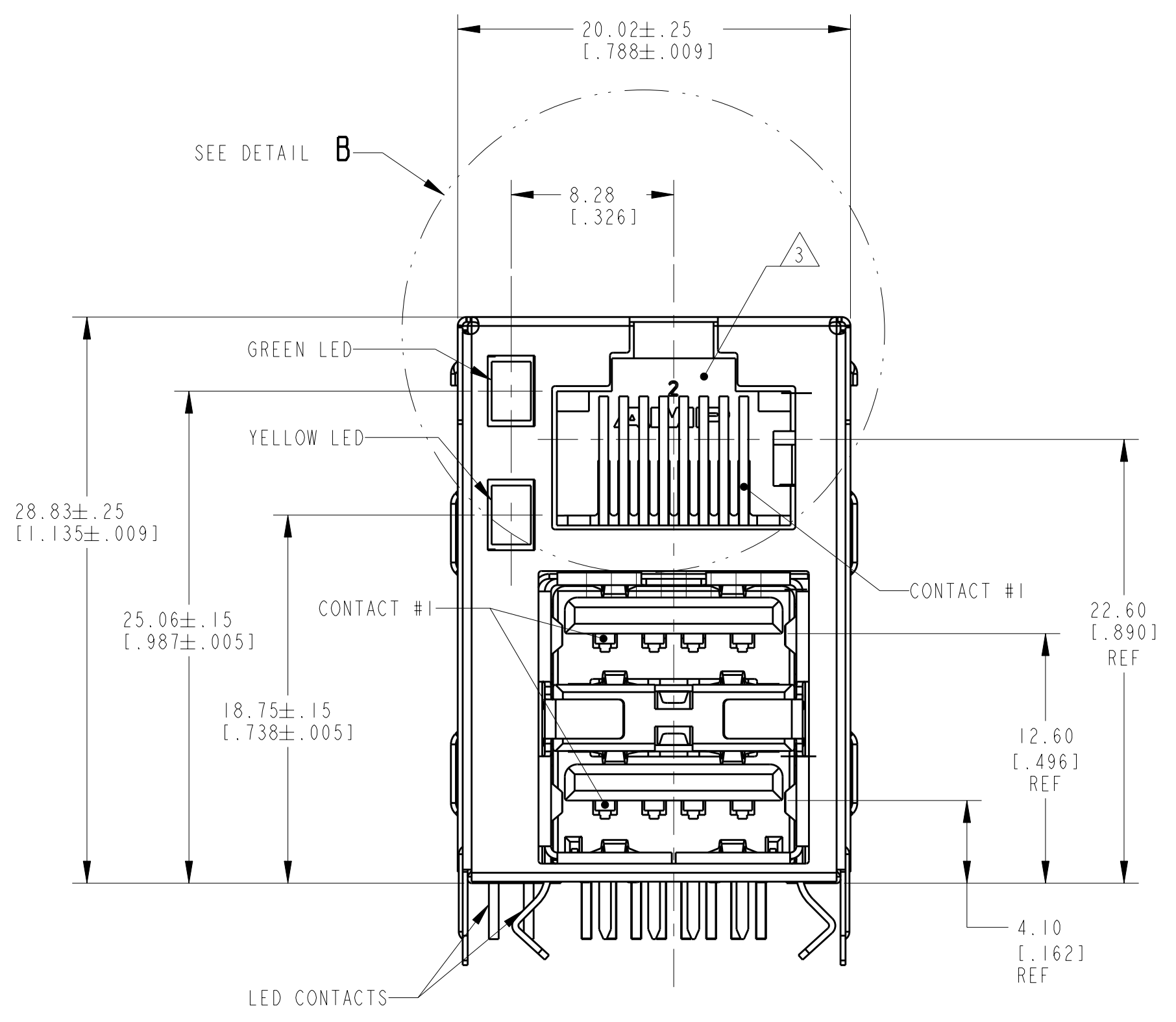


LOC	DIST	REV	DATE	BY	CHK	APPV
AA	00	A	19JUN2006	LAM	PR	

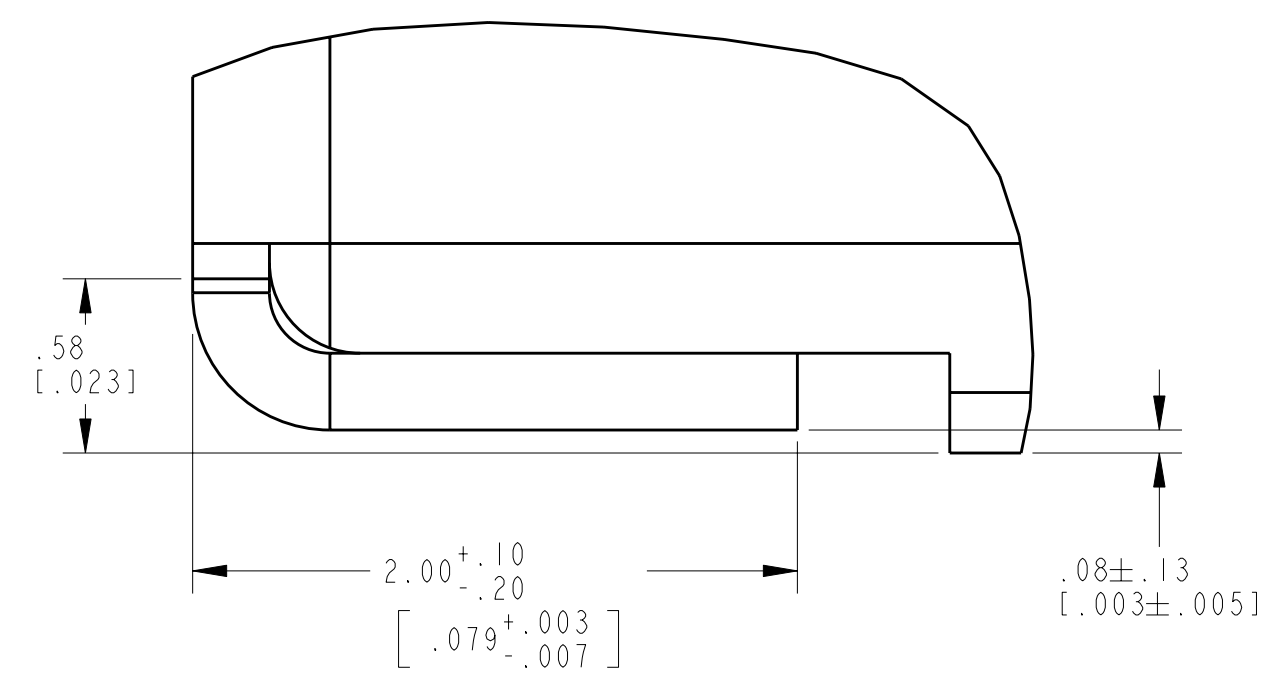
- 1 DATUM AND BASIC DIMENSION ESTABLISHED BY CUSTOMER.
- 2 RECOMMENDED PC BOARD THICKNESS IS 2.36[.093]
- 3 RJ45 JACK CAVITY CONFORMS TO FCC RULES AND REGULATIONS, PART 68 SUBPART F

4. MATERIAL:
 HOUSING: ALL PLASTIC HOUSINGS IN THIS ASSEMBLY, THERMOPLASTIC, BLACK UL94V-0/5V.
 TERMINAL: USB: 0.251±0.013 THICK PHOSPHOR BRONZE PLATED WITH 1.27µm NICKEL. IN LOCALIZED GOLD PLATE AREA IS ADDED OVER NICKEL UNDERPLATE. IN SOLDER AREA 3.8µm MIN 93/7% BRIGHT TIN-LEAD IS ADDED OVER NICKEL UNDERPLATE.
 RJ45: 0.318 THICK PHOSPHOR BRONZE PLATED WITH 1.27µm MIN THICK NICKEL. IN LOCALIZED GOLD PLATE AREA 1.27µm MIN THICK GOLD IS ADDED OVER NICKEL UNDERPLATE. IN SOLDER AREA 3.8µm MIN 93/7% TIN-LEAD IS ADDED OVER NICKEL UNDERPLATE.
 LED: 0.5 DIAMETER CARBON STEEL LEADS PREPLATED WITH 7.62µm TIN OVER 2.03µm SILVER OVER 1.02µm COPPER OVER 3.56µm NICKEL OVER 1.02 µm COPPER
 SHIELD: OUTER: 0.254 THICK COPPER-ZINC ALLOY PREPLATED WITH BRIGHT 93/7% TIN-LEAD ALLOY 2µm TO 3.8µm THICK. INNER: 0.318 THICK COPPER-ZINC ALLOY PREPLATED WITH BRIGHT 93/7% TIN-LEAD ALLOY 2µm TO 3.8µm THICK. USB: 0.318 THICK PHOSPHOR-BRONZE PREPLATED WITH 5.1µm MIN TIN.

5. UNLESS OTHERWISE SPECIFIED ALL DIMENSIONS ARE NOMINAL.



DETAIL B
 SCALE 8:1

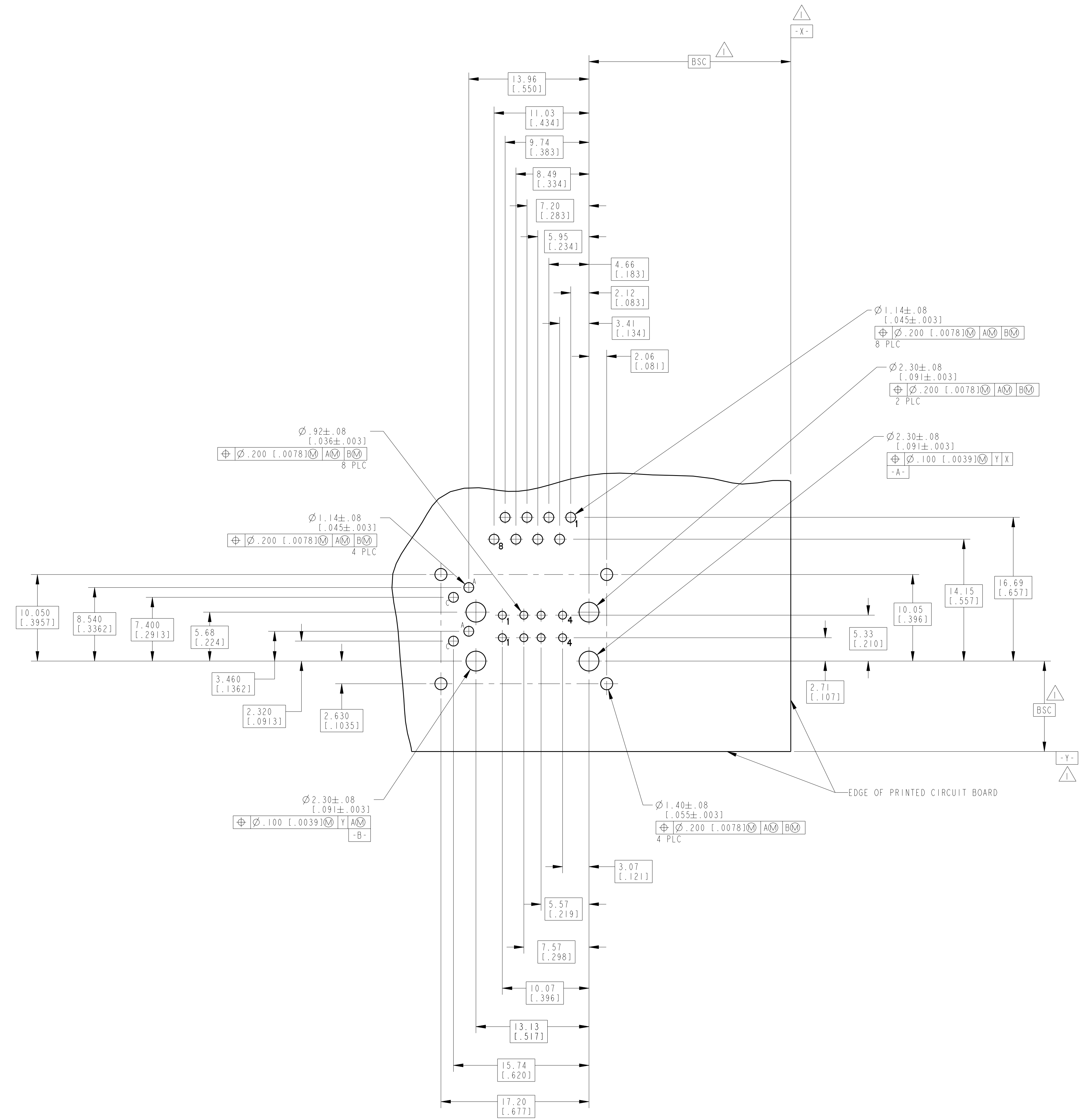


DETAIL A
 SCALE 40:1

WITH LEDS	1116640-1
DESCRIPTION	PART NO.

DIMENSIONS: mm [INCHES] TOLERANCES UNLESS OTHERWISE SPECIFIED: 9 PLC ± 1 PLC ± 5 PLC ±0.13[.005] 4 PLC ± ANGLES ±1° MATERIAL SEE NOTE 4 FINISH SEE NOTE 4		DWN J. GERACE 19JAN00 CHK D. DIXON 19JAN00 APPV D. SUMMERS 19JAN00 PRODUCT SPEC APPLICATION SPEC WEIGHT CUSTOMER DRAWING	NAME ASSEMBLY, RJ-45 MODULAR JACK OVER STACKED USB RECEPTACLE SIZE CAGE CODE DRAWING NO A 00779 C=1116640 SCALE 4:1 SHEET 1 OF 2 REV A	tyco AMP Incorporated Harrisburg, PA 17105-3608 RESTRICTED TO
---	--	--	--	---

LOC		DIST		REVISIONS			
AA	00	P	LTR	DESCRIPTION	DATE	DWN	APVD
		-	-	SEE SHEET 1	-	-	-



RECOMMENDED PCB LAYOUT

DIMENSIONS:		TOLERANCES UNLESS OTHERWISE SPECIFIED:		DWN		tyco		AMP Incorporated	
mm [INCHES]				J. GERACE	19JAN00	AMP	Harrisburg, PA 17105-3608		
Ø	±	9 PLC	±	CHK	D. DIXON	19JAN00 <td>NAME</td> <td colspan="2">ASSEMBLY, RJ-45 MODULAR JACK OVER STACKED USB RECEPTACLE</td>	NAME	ASSEMBLY, RJ-45 MODULAR JACK OVER STACKED USB RECEPTACLE	
	±	8 PLC	±	APVD	D. SUMMERS	19JAN00 <td>PRODUCT SPEC</td> <td colspan="2"></td>	PRODUCT SPEC		
	±	5 PLC	±			APPLICATION SPEC			
	±	4 PLC	±			WEIGHT			
	±	ANGLES	±1°			CUSTOMER DRAWING			
MATERIAL SEE NOTE 4		FINISH SEE NOTE 4		SCALE		SHEET		REV	
				4:1		2 OF 2		A	