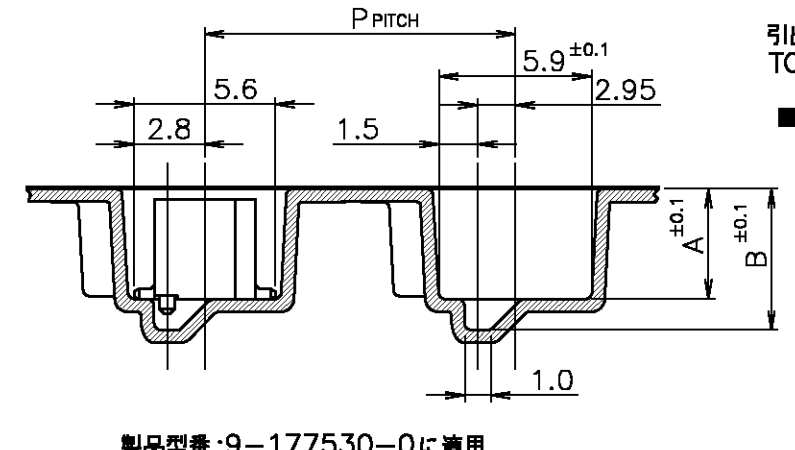
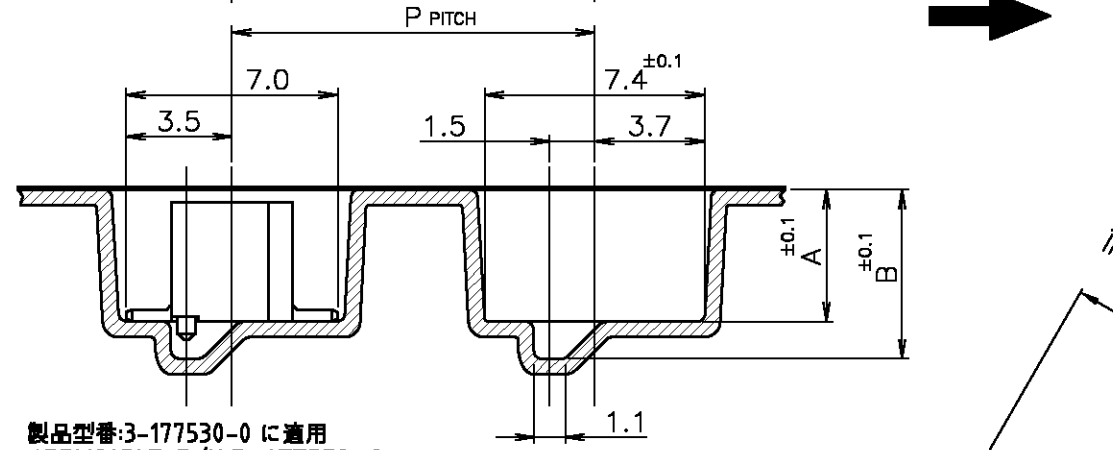
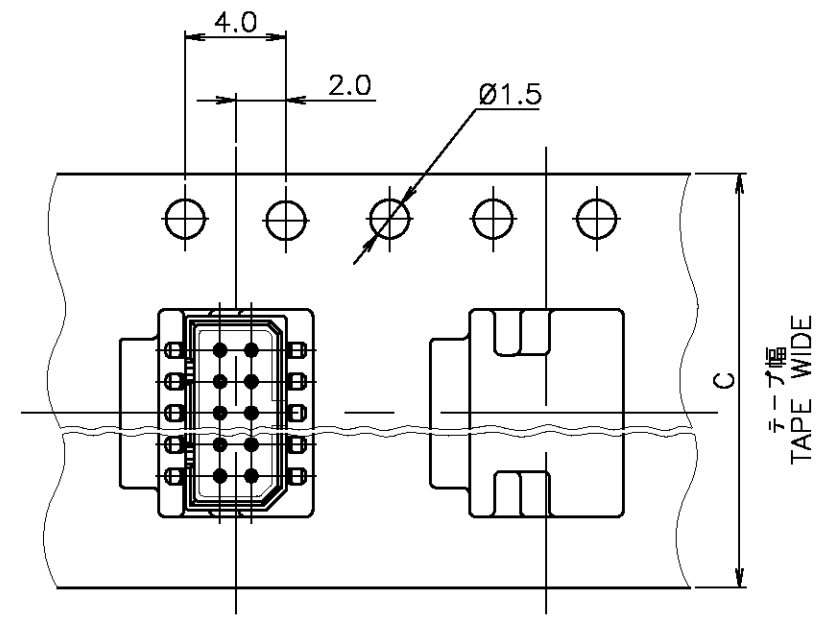
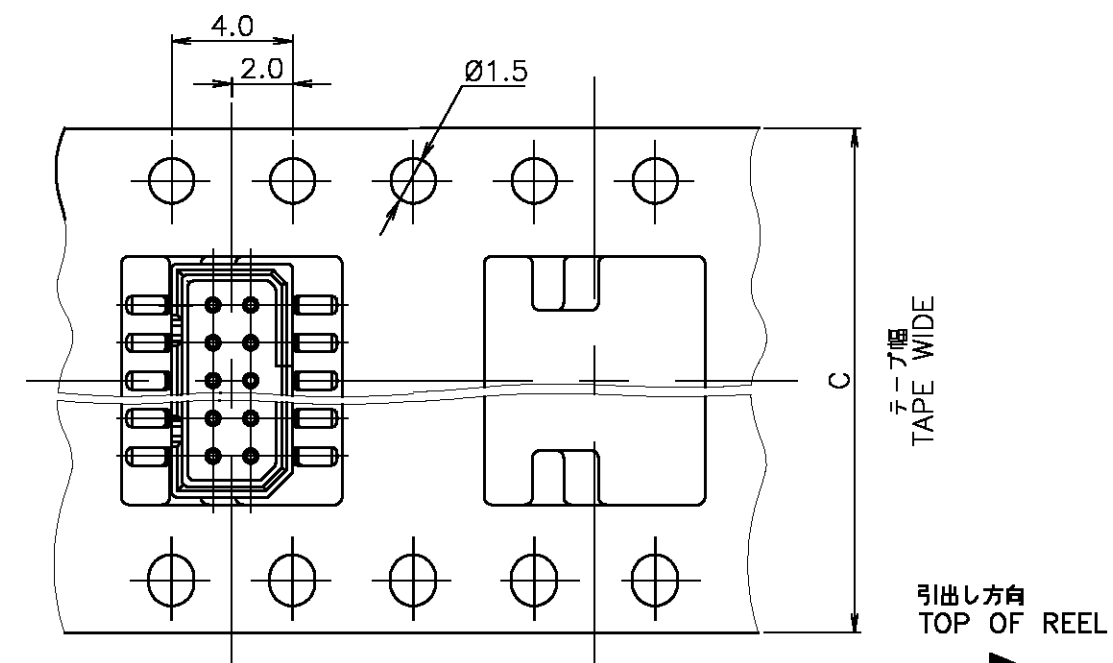


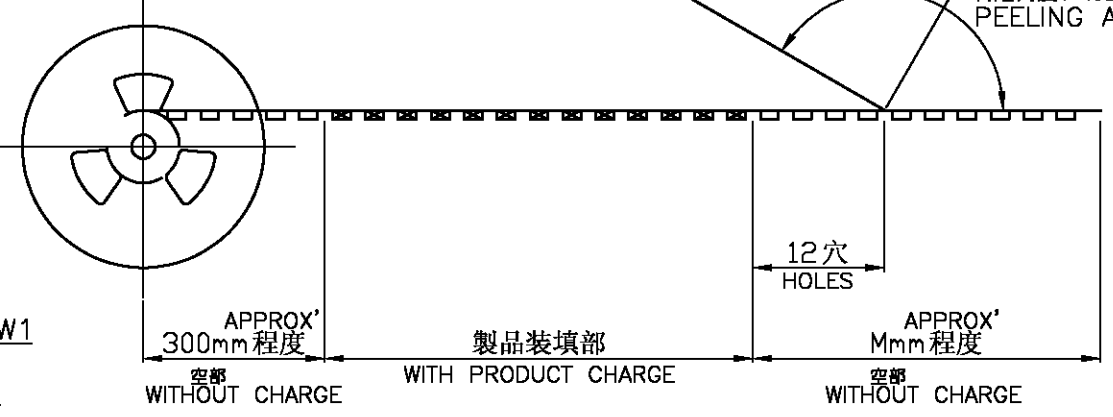
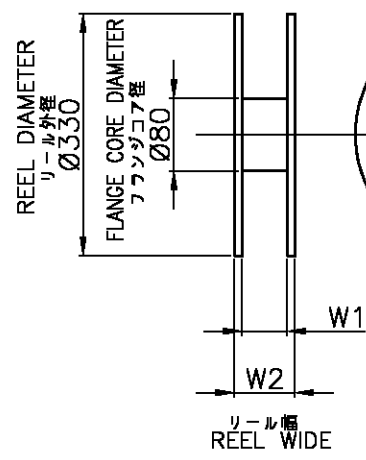
THIS DRAWING IS UNPUBLISHED. RELEASED FOR PUBLICATION  
 © COPYRIGHT By -- ALL RIGHTS RESERVED.

LOC	DIST	REVISIONS					
		P	LTR	DESCRIPTION	DATE	DWN	APVD
J		D		REVISED PER ECR-11-001310	21APR11	T.T	T.M



製品型番:3-177530-0 に適用  
 APPLICABLE P/N:3-177530-0

製品型番:9-177530-0 に適用  
 APPLICABLE P/N:9-177530-0



WEEDING THE COVER TAPE AROUND THE OUTER PERIPHERY IN A TURN.  
 カバーテープ リーダー部 外周一巻  
 剝離角度、165°~180°  
 PEELING ANGLE.

注記  
 1. 包装規格:107-5123-5

NOTE  
 1. PACKAGING SEPC:107-5123-5

鉛フリー  
 LEAD FREE

↑	↑	↑	12	↑	5.45	4.25	1000	↑	9-912058-8	9-	↑	-0	9-	↑	-0
W <sub>2</sub>	W <sub>1</sub>	M	P	C	B	A	数量 (m) QTY/REEL	位置 Pos.	エンボス型番 (P/N) EMBOSS TAPE P/N	コネクタ型番 (P/N) CONNECTOR P/N			リール巻 コネクタ型番 TAPING P/N		
37	34	300	16	32	9.90	9.10	430	30	6-912055-1	3-176140-0			3-177530-0		

THIS DRAWING IS A CONTROLLED DOCUMENT.

DWN	S.KANEKI	27MAR92
CHK	J.TANIGAWA	27MAR92
APVD	S.KUBOUCHI	02NOV98

STE TE Connectivity

NAME  
 ON TAPING (EMBOSS) 1.25 F-P CONNECTOR (B-TO-B)  
 DOUBLE ROW POST HDR ASS'Y SMT TYPE  
 WITH BOSS - IMPROVED TYPE

SIZE	CAGE CODE	DRAWING NO	RESTRICTED TO
A3	00779	C-177530	-

CUSTOMER DRAWING

SCALE SHEET 1 OF 1 REV D