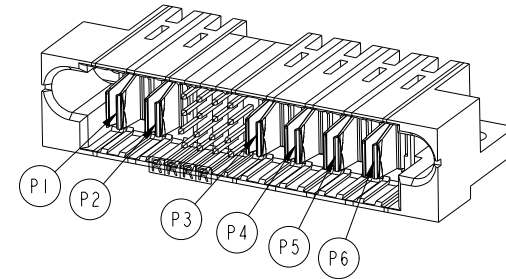
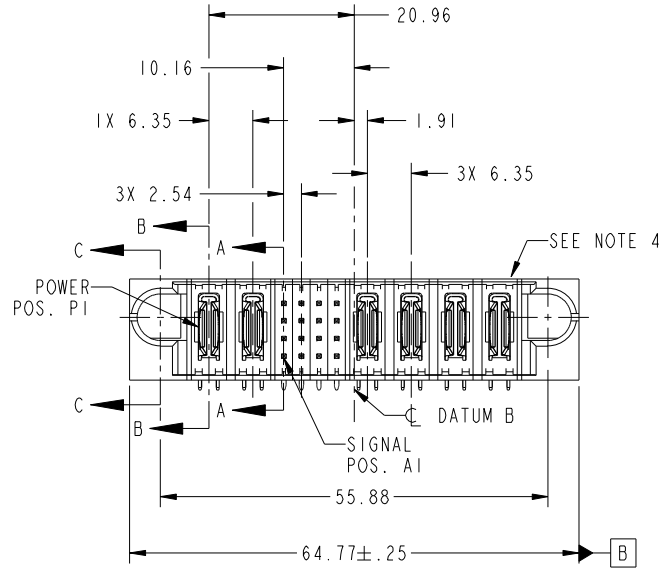


Tous droits strictement reserves. Reproduction ou communication a des tiers interdite sous quelque forme que ce soit sans autorisation écrite du propriétaire. Propriete de c FCI. Droits de reproduction FCI.

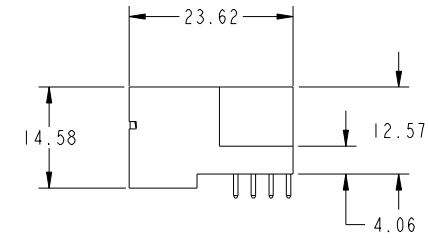


All rights strictly reserved. Reproduction or issue to third parties in any form whatever is not permitted without written authority from the proprietor. Property of FCI. Copyright FCI.

PRODUCT NO.	ROWS	POWER		SIGNAL				POWER				E2	
		E1	P1	P2	1	2	3	4	P3	P4	P5		P6
51730-116-- NOTE: 3	D C B A												



TOP SIDE VIEW



CODE	DIM"MM" MATING LENGTH	DIM"MM" WIPE LENGTH MIN	CONTACT TYPE
U	[6.86]	[3.86]	SIGNAL (STANDARD)
T	[6.86]	[3.86]	SIGNAL (STANDARD)
R	[6.86]	[3.86]	SIGNAL (STANDARD)
SL	[7.82]	[4.83]	SIGNAL (PRE-MATE)
PA	[N/A]	N/A	POWER (STANDARD)

mat'l code				SEE NOTE		tolerances unless otherwise specified		CUSTOMER		FCI	
ltr	ecn no.	dr	date	linear	0.X ±0.5	projection		COPY		www.fciconnect.com	
A	DG05-0256	SW	07/28/05		0.XX ±0.25	MIM		title		2P + 16S + 4P	
B	DG05-0332	GuoJM	09/14/05		0.XXX ±0.10	scale		product family		PwrBlade	
C	DG05-0414	GuoJM	10/24/05	angles	0° +2°	1:1		size		code	
D	DG05-0455	CS	11/12/05	dr	STEVEN WANG			dwg no		213	
E	DG07-0498	JW	09/15/08	enrg	M. GRAY			sheet		1 of 4	
				chr	VICTOR LIN			51730-116			
				appd	JOSEPH HSIA			cage code		22526	
sheet index	revision sheet	E 1	E 2	E 3	E 4						

Pro/E

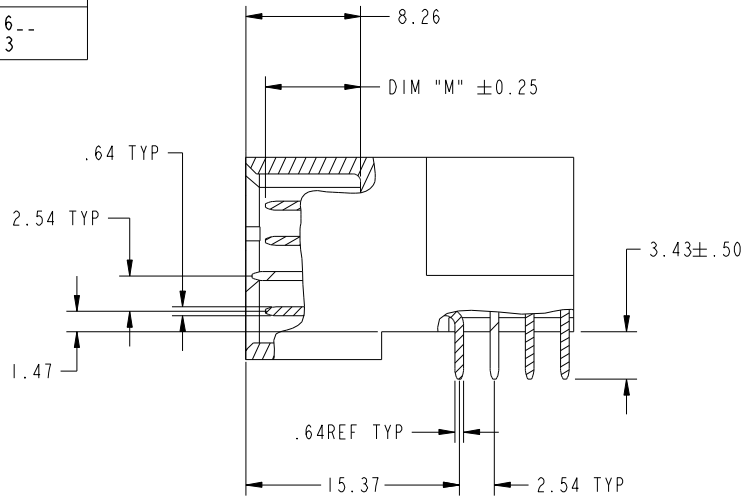
cage code 22526

Tous droits strictement reserves. Reproduction ou communication a des tiers interdite sous quelque forme que ce soit sans autorisation écrite du propriétaire. Propriete de c FCI. Droits de reproduction FCI.

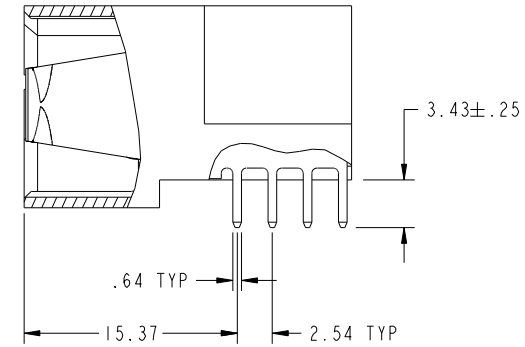


All rights strictly reserved. Reproduction or issue to third parties in any form whatever is not permitted without written authority from the proprietor. Property of FCI. Copyright FCI.

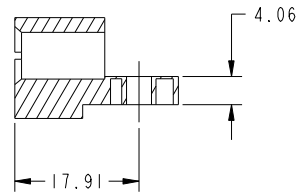
PRODUCT NUMBER  
51730-116--  
NOTE: 3



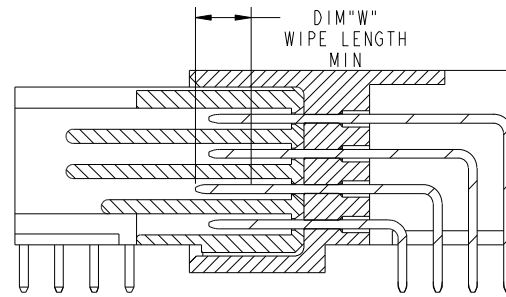
BROKEN-OUT SECTION A-A  
SCALE 2:1



BROKEN-OUT SECTION B-B  
SCALE 2:1



SECTION C-C



SECTION SIGNAL-SIGNAL  
SCALE 2:1

mat'l code				SEE NOTE		tolerances unless otherwise specified		CUSTOMER		www.fciconnect.com	
ltr	ecn no.	dr	date	linear	0.X ±0.5	projection		COPY		title	
E					0.XX ±0.25					2P + 16S + 4P RIGHT ANGLE SOLDER HEADER	
				angles	0.XXX ±0.10			product family		PwrBlade	code
				dr	STEVEN WANG 07/28/05	scale		size		dwg no	213
				enr	M. GRAY mm/dd/yy	1:1		A		51730-116	sheet
				chr	VICTOR LIN 07/28/05						2
				appd	JOSEPH HSIA 07/28/05						
sheet index		revision sheet								cage code	
										22526	

Pro/E

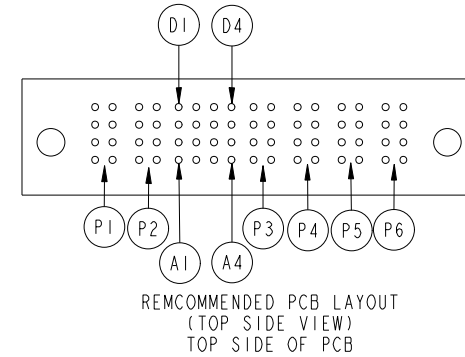
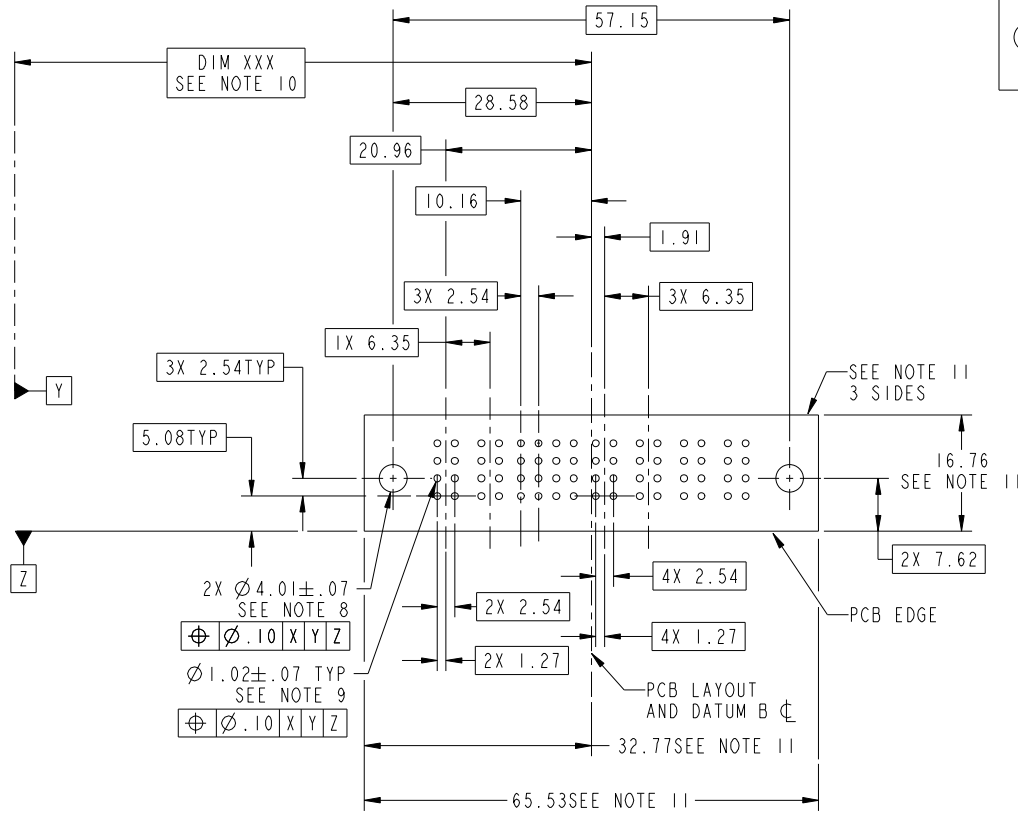
cage code 22526

Tous droits strictement reserves. Reproduction ou communication a des tiers interdite sous quelque forme que ce soit sans autorisation écrite du propriétaire. Propriete de c FCI. Droits de reproduction FCI.



All rights strictly reserved. Reproduction or issue to third parties in any form whatever is not permitted without written authority from the proprietor. Property of FCI. Copyright FCI.

PRODUCT NUMBER  
51730-116--  
NOTE: 3



RECOMMENDED PCB LAYOUT

mat'l code		SEE NOTE		tolerances unless otherwise specified		CUSTOMER		www.fciconnect.com	
ltr	ecn no.	dr	date	linear	0.X ± 0.5	COPY		title	
E					0.XX ± 0.25	projection		2P + 16S + 4P RIGHT ANGLE SOLDER HEADER	
				angles	0.XXX ± 0.10			product family PwrBlade code	
				dr	0° ± 2°	MIM		213	
				enr	STEVEN WANG 07/28/05	scale		size	
				chr	M. GRAY mm/dd/yy	1:1		dwg no	
				appd	VICTOR LIN 07/28/05			51730-116	
					JOSEPH HSIA 07/28/05			sheet	
sheet index	revision sheet							3	

cage code 22526

Pro/E

Tous droits strictement réservés. Reproduction ou communication a des tiers interdite sous quelque forme que ce soit sans autorisation écrite du propriétaire. Propriete de c FCI. Droits de reproduction FCI.



All rights strictly reserved. Reproduction or issue to third parties in any form whatever is not permitted without written authority from the proprietor. Property of FCI. Copyright FCI.

PRODUCT NUMBER  
51730-116--  
NOTE: 3

NOTES:

1. DIMENSIONS AND TOLERANCES ARE IN ACCORDANCE WITH ASME Y14.5M, 1994 UNLESS OTHERWISE SPECIFIED.

CONNECTOR NOTES:

2. HOUSING MATERIAL: UL 94 V-0 GLASS FILLED HIGH-TEMP THERMOPLASTIC  
POWER CONTACT MATERIAL: COPPER ALLOY  
SIGNAL PIN MATERIAL: COPPER ALLOY

3. PLATING:  
SEE ITEM 1 & 2 IN PRINT 10064183 FOR PLATING SPEC OF 51730-116; 51730-116LF PRESPECTIVELY

4. MANUFACTURER'S NAME, P/N, AND DATE CODE TO APPEAR ON THIS SURFACE.

5. PRODUCT SPECIFICATION GS-12-149.  
APPLICATION SPECIFICATION BUS-20-067.

6. PACKAGED IN TRAYS.

PCB NOTES:

7. ALL HOLE DIAMETERS ARE FINISHED HOLE SIZE.

8. MOUNTING HOLES, WHERE APPLICABLE, ARE UNPLATED.

9.  $\varnothing 1.151 \pm 0.025$  DRILLED HOLES PLATED WITH 0.008 MIN SnPb OR Sn OVER 0.03 TO 0.08 Cu PLATING TO ACHIEVE  $\varnothing 1.02 \pm .07$  HOLE.

10. "DIM XXX" TO BE DETERMINED BY THE CUSTOMER.

11. CONNECTOR KEEP-OUT ZONE.

12. A  $\Delta$  SYMBOL WILL BE NEXT TO ANY DIMENSION, VIEW, OR NOTE WHICH HAS BEEN MODIFIED WITH THE CURRENT DRAWING REVISION.

mat'l code		SEE NOTE		tolerances unless otherwise specified		CUSTOMER		FCI www.fciconnect.com	
ltr	ecr no.	dr	date	linear	0.X ± 0.5	COPY		title	
E					0.XX ± 0.25	projection		2P + 16S + 4P RIGHT ANGLE SOLDER HEADER	
				angles	0.XXX ± 0.10			product family	
				dr	0° ± 2°	MIM		PwrBlade	
				enr	STEVEN WANG 07/28/05	scale		code	
				chr	M. GRAY mm/dd/yy	1:1		213	
				appd	VICTOR LIN 07/28/05	A		sheet	
					JOSEPH HSIA 07/28/05			4	
sheet index	revision sheet								

cage code 22526

Pro/E