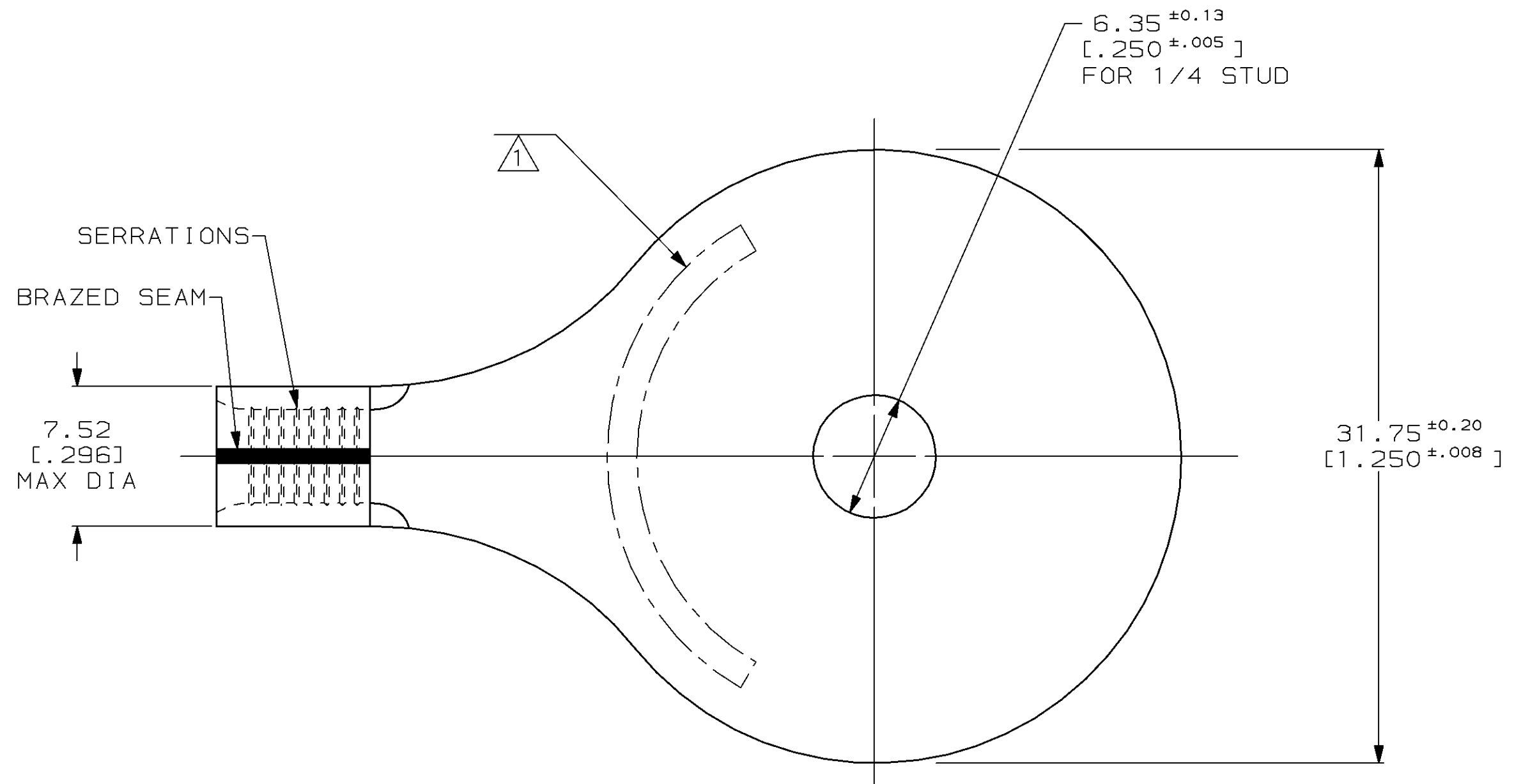
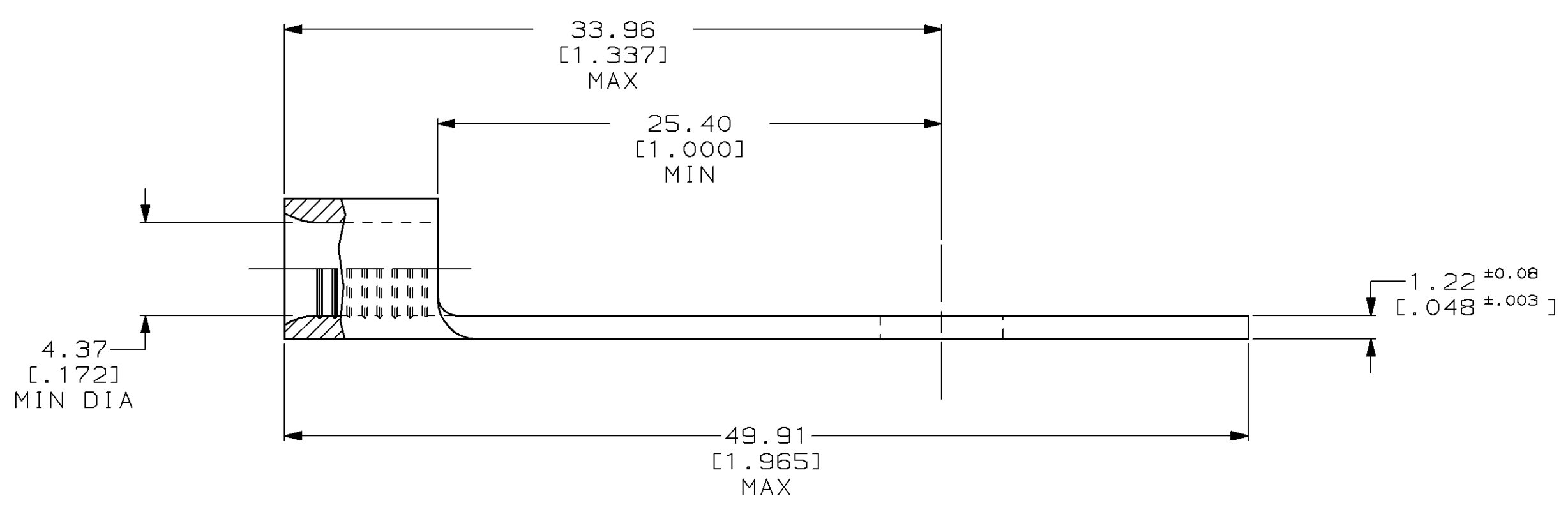


LOC	DIST	P	F	ZONE	LTR	DESCRIPTION	DATE	APPD
G	14				D	REACT / 0610-0140-98	25SEP98	MLE MB



<b>AMP</b> WIRE RANGE	<b>UL</b> E13288 Listed
8 AWG SOLID OR STRANDED	8 AWG STRANDED
<b>SF</b> LR7189 Certified	MILITARY P/N AND CLASS
8 AWG SOLID OR STRANDED	NOT APPLICABLE

1 STAMP AMP 8\* APPROX AS SHOWN



AMP INCORPORATED CUSTOMER SERVICE SYSTEMS		MAX RECOMMENDED OPERATING TEMPERATURE: 170°C MAX		DO NOT SCALE PRINT. UNLESS SPECIFIED DIMENSIONS IN mm [INCHES] TOLERANCES ON: 2 PLC DEC ± 0.20[.008] 3 PLC DEC ± - ANGLES ± -		DR 11/24/93 DK SCHRUM		55789-1 PART NO	
FOR ADDITIONAL PRODUCT INFORMATION OR COPIES OF DRAWINGS AND TECHNICAL DOCUMENTS		PRODUCT INFORMATION CENTER 1-800-522-6752		VOLTAGE RATING: NOT APPLICABLE		MATERIAL COPPER PER ASTM B-152 ANNEALED		FINISH CLEANED	
FOR APPLICATION TOOLING INFORMATION		TOOLING ASSISTANCE CENTER 1-800-722-1111		WIRE CROSS SECTIONAL AREA RANGE: 6.64-10.5mm <sup>2</sup> [13,100-20,800] CIR MILS SOLID OR STRANDED		DR 2/8/94 DA PATTERSON		CHK 2/8/94 DA PATTERSON	
FOR ORDER ENTRY		1-800-526-5142		THIS DRAWING IS A CONTROLLED DOCUMENT FOR AMP INCORPORATED. IT IS SUBJECT TO CHANGE AND THE CONTROLLING ENGINEERING ORGANIZATION SHOULD BE CONTACTED FOR THE LATEST REVISION.		APPD 2/8/94 CH KULYNYCH		APPD 2/8/94 JL MECKLEY	
						PRODUCT SPEC -		NAME TERMINAL, RING TONGUE, SOLISTRAND™	
						APPLICATION SPEC -		SIZE C 00779	
						WEIGHT 8 GRAMS		DRAWING NO C=55789	
						SCALE 4:1		SHEET 1 OF 1	