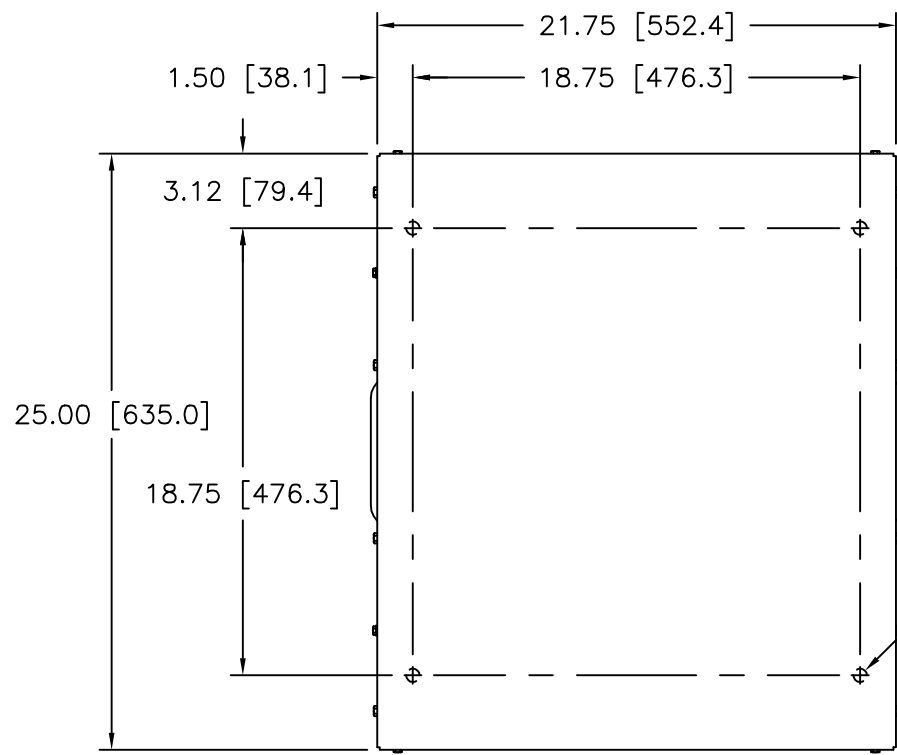
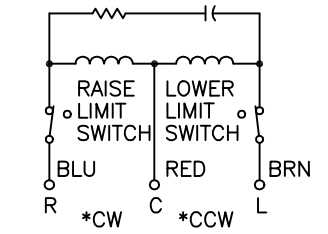
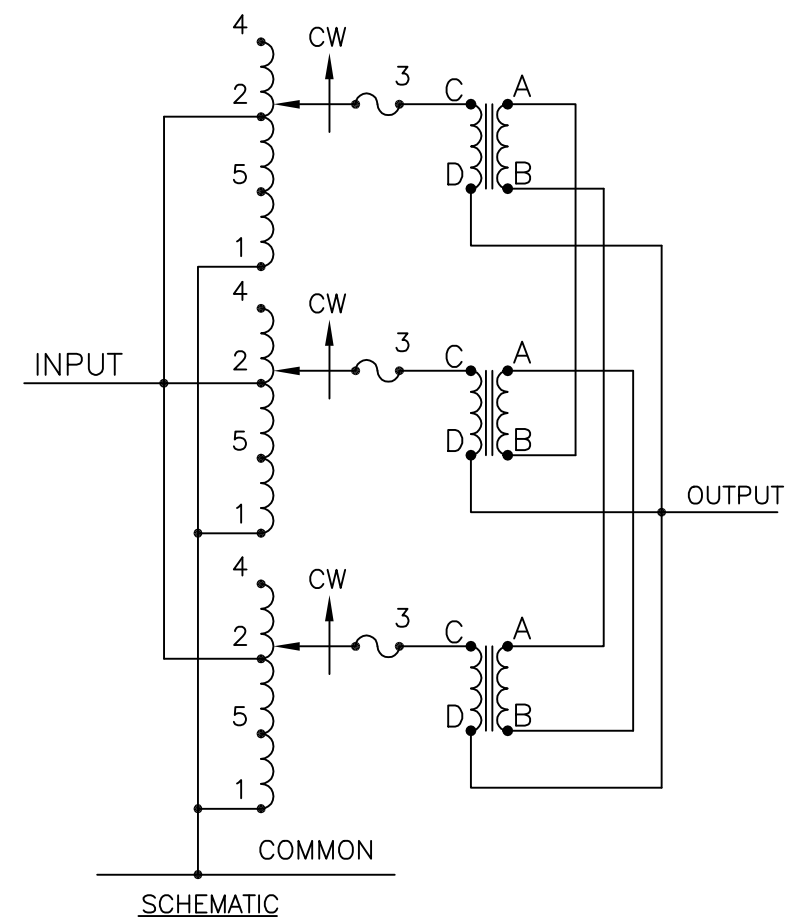


DWG. NO.	032-7685		
REVISIONS			
SYL.	E.C.N.	DATE	APD.
A	23074	2/7/96	
REVISE SCHEMATIC			
B	23337	3/6/97	
REVISED & UPDATED			



.56 [14.3] DIA. HOLE
4 PLACES ON BOTTOM
FLANGES FOR CUSTOMER
MOUNTING



MOTOR CIRCUIT
120V, 50/60 HZ
* ROTATION AS VIEWED
FROM TOP END
MOTOR SPEEDS: SEE CHART

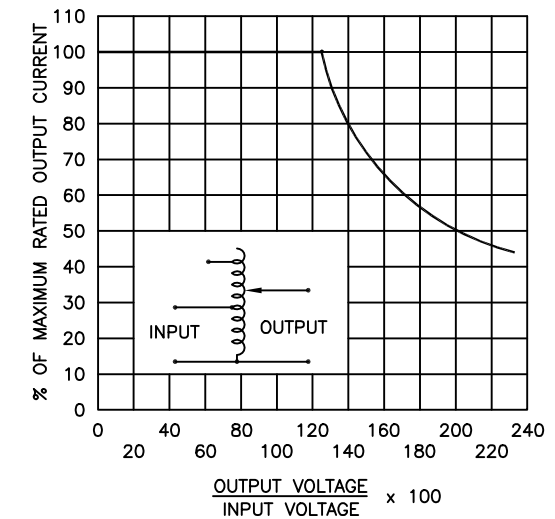


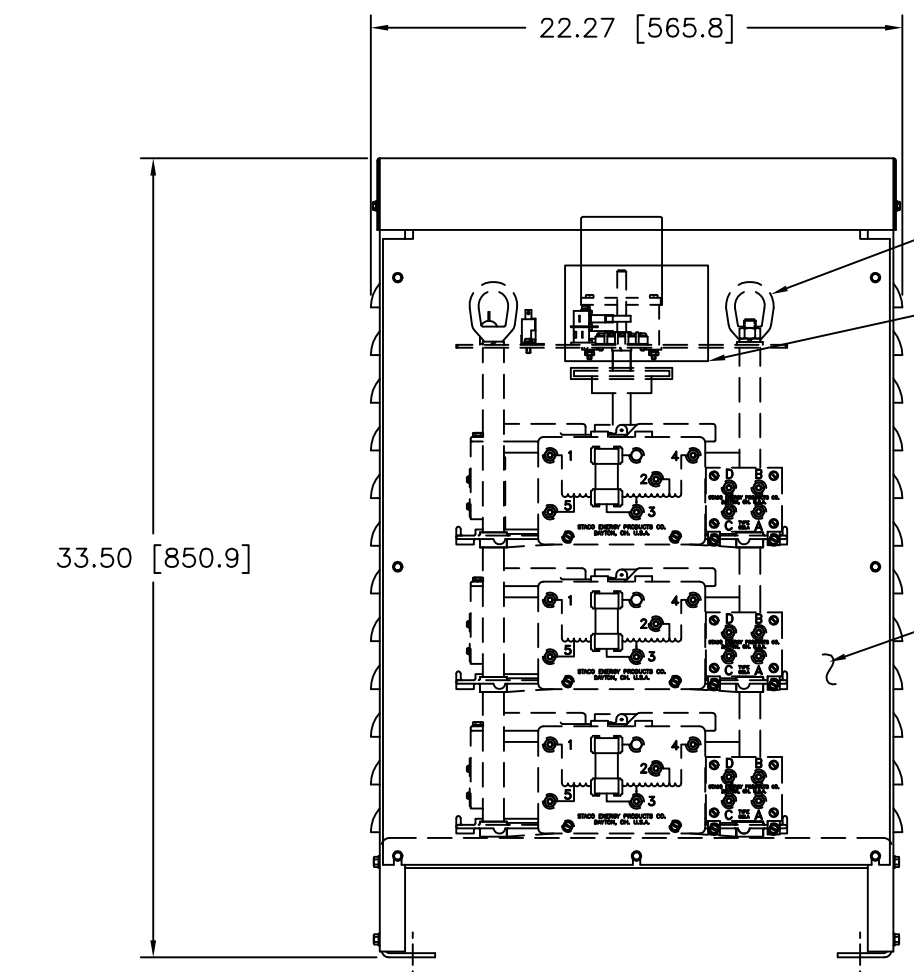
FIGURE A
MAXIMUM OUTPUT CURRENT OF ANY
DUAL INPUT VOLTAGE OR VOLTAGE DOUBLER
UNIT OPERATED AT LOWER INPUT VOLTAGE.

* MAXIMUM OUTPUT CURRENT IN OUTPUT VOLTAGE RANGE FROM 0 TO 25 PERCENT ABOVE LINE VOLTAGE. AT HIGHER OUTPUT VOLTAGES, OUTPUT CURRENT MUST BE REDUCED ACCORDING TO RATING CURVE (SEE FIGURE A).

++ MAXIMUM KVA AT MAXIMUM OUTPUT AND CORRESPONDING DE-RATED CURRENT. MAXIMUM KVA AT LOWER OUTPUT VOLTAGES MAY BE CALCULATED FROM RATING CURVE, (SEE FIGURE A).

V.D. = VOLTAGE DOUBLER.

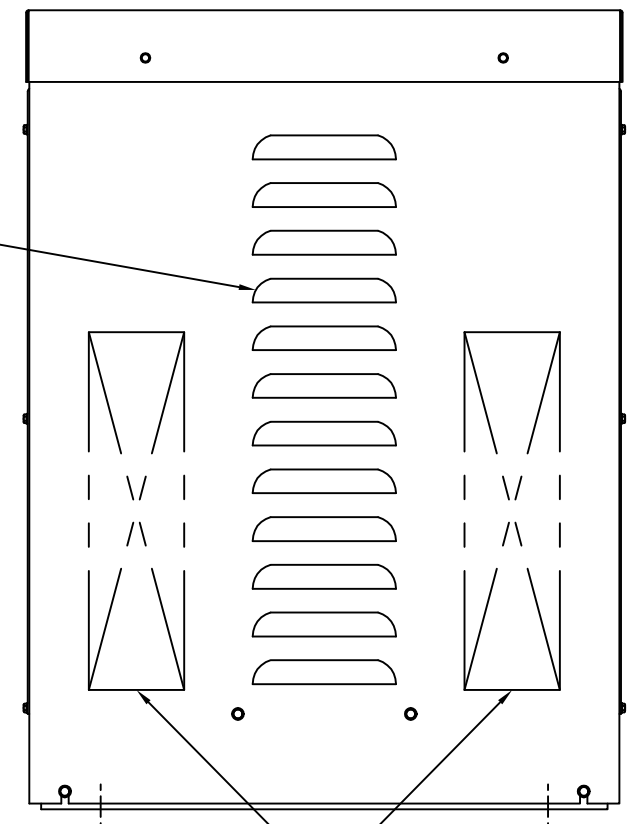
SPEED (SECONDS)	MODEL NUMBER
5	5M6020E-3P
15	15M6020E-3P
30	30M6020E-3P
60	60M6020E-3P



2 EYENUTS
FOR CONVEYING
NAMEPLATE

LOUVER VENTS
BOTH SIDES

ACCESS PANEL TO
FUSES & TERMINALS



RECOMMENDED AREAS
FOR CONDUIT

SPECIFICATIONS								
WIRING	INPUT		OUTPUT			SHAFT ROTATION FOR VOLTAGE INCREASE	TERMINAL CONNECTIONS FOR INCREASING VOLTAGE AS VIEWED FROM TOP	
	VOLTS	HERTZ	VOLTS	CONSTANT CURRENT LOAD			INPUT	OUTPUT
SINGLE PHASE PARALLEL	240	50/60	0-240	105	25.2	CW	1-4	1-D
			0-280	105	29.4	CW	1-2	1-D
	120	50/60	0-280	105-45 V.D.	12.6 ++	CW	1-5	1-D
<small>UNLESS OTHERWISE SPECIFIED, TOLERANCE IS * DECIMALS .005 HOLES .03 ANGLES 1° DRAFT 1-1/2° UNITS IN [mm]</small>								
<small>MATERIAL: ALL DIMENSIONS APPLY AFTER PLATING</small>								
TITLE: SPECIFICATION CONTROL DRAWING MOTORIZED VARIABLE TRANSFORMER M6020E-3P								
DRAWN BY: A.ARAGON		DATE: 3/17/95	FIRST USED ON: M6020E-3Y	DO NOT SCALE DWG.	CUSTOMER APPROVAL: _____ DATE: _____			
CHECKER: _____	DATE: _____	WEIGHT APPROX. _____	CODE IDENT. NO. 83008	DWG. NO. 032-7685				
ENGINEER: _____	DATE: _____	SCALE: .25=1	SHEET 1 OF 1	D				

