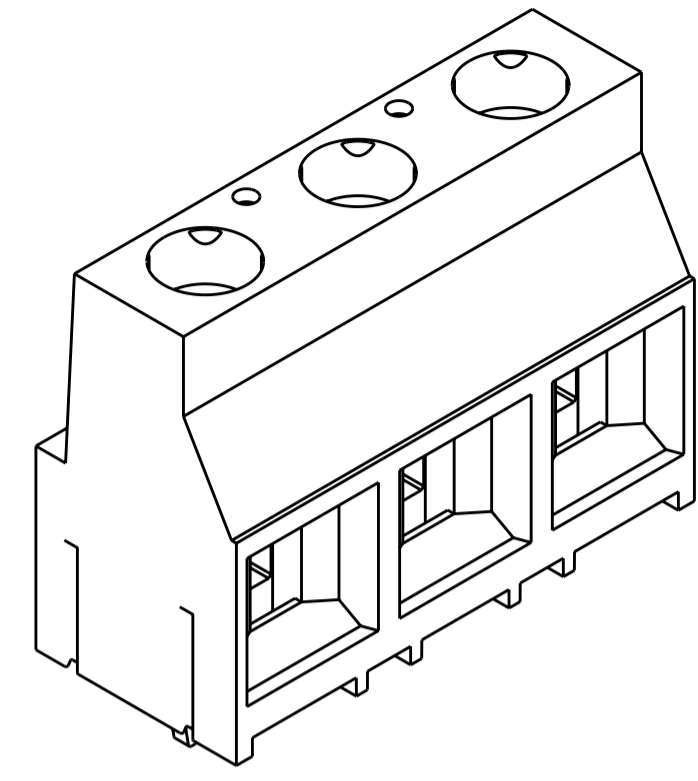
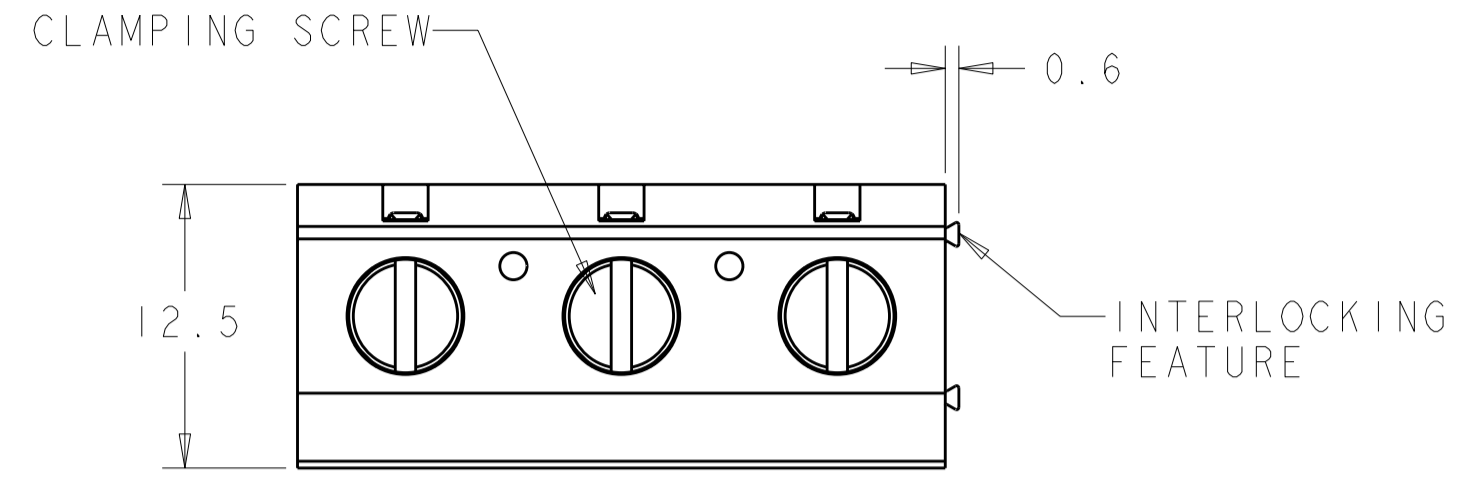


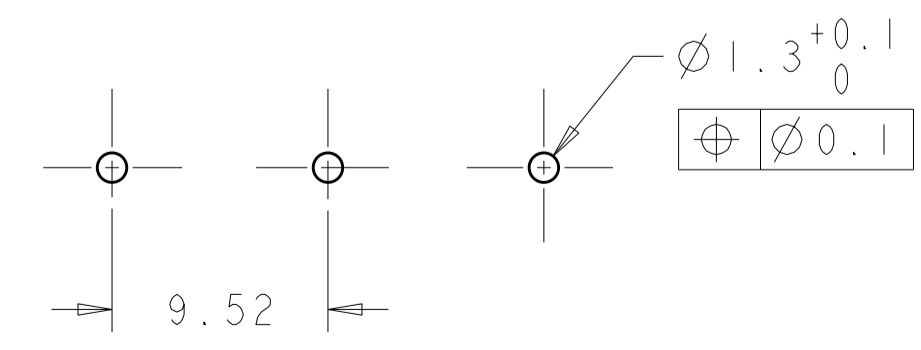
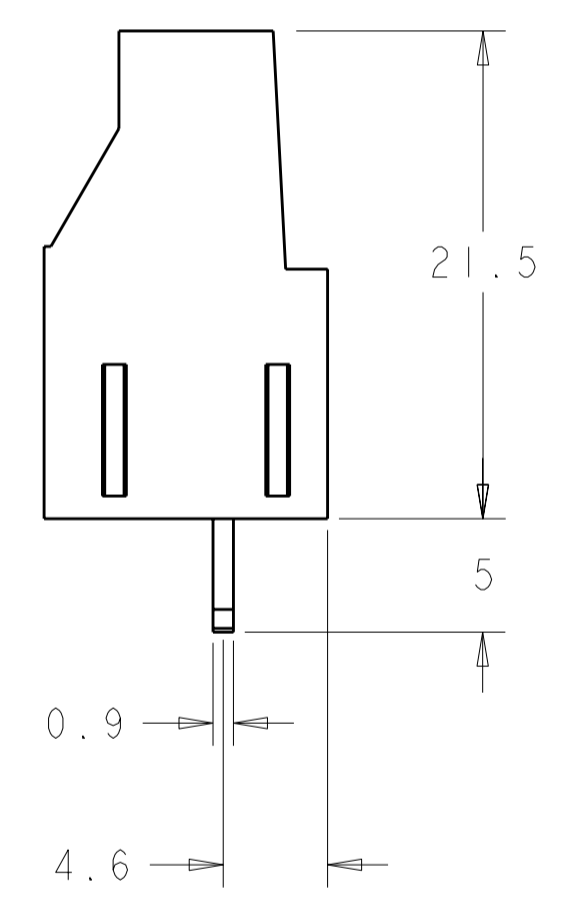
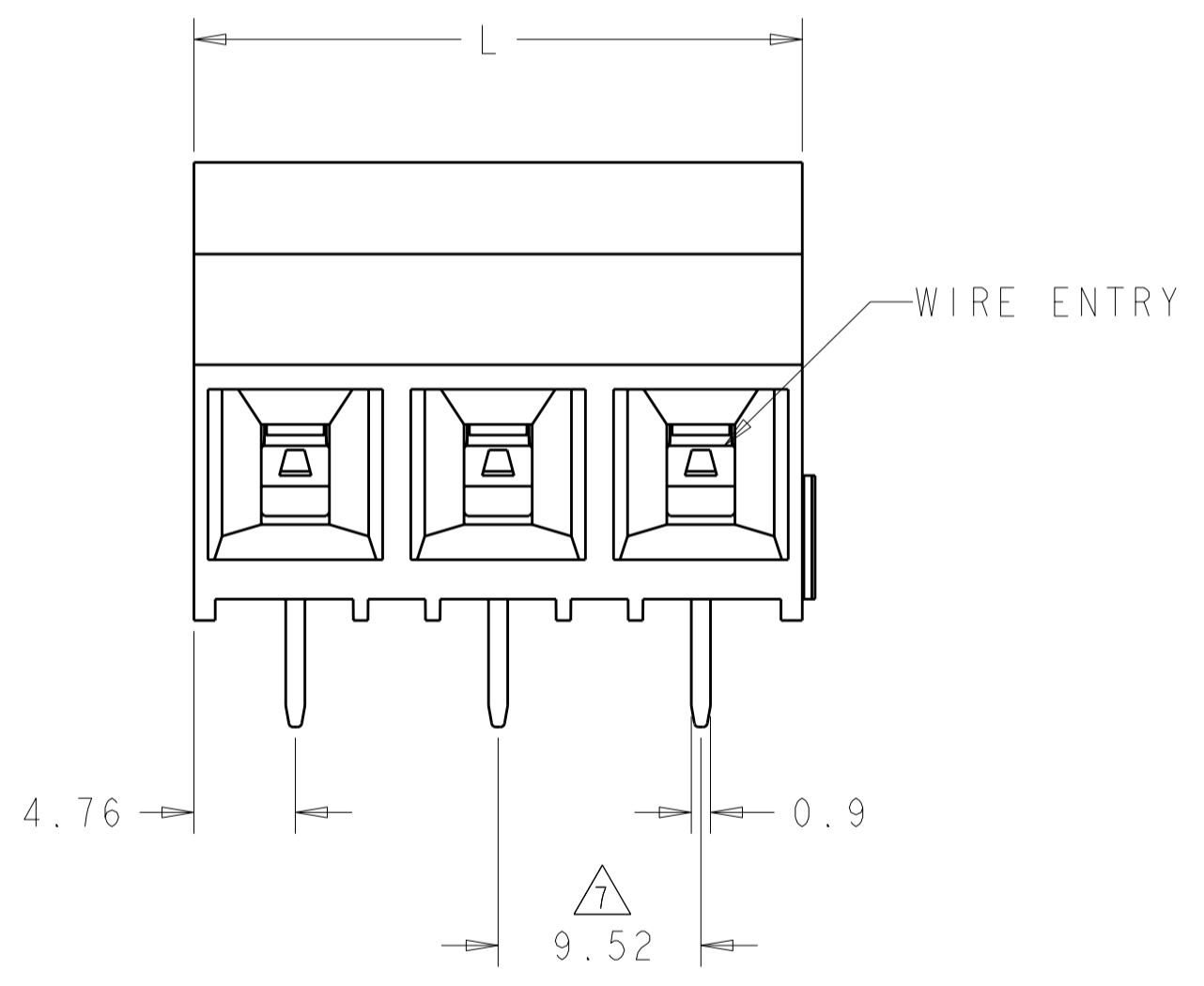
THIS DRAWING IS UNPUBLISHED. RELEASED FOR PUBLICATION 20
 © COPYRIGHT 20 BY TYCO ELECTRONICS CORPORATION. ALL RIGHTS RESERVED.

LOC		DIST		REVISIONS			
P	LTR	DESCRIPTION	DATE	DWN	APVD		
	B3	REVISED PER ECO-11-002446	07FEB2011	HMR	CR		



796739-3 AS SHOWN

- 1. MATERIALS AND FINISH
 HOUSING: PA 6-6, UL 94-VO, COLOR GREEN
 CLAMP: BRASS, NICKEL PLATED.
 CLAMPING SCREW: M3, BRASS, NICKEL PLATED.
- 2. SUITABLE FOR 3.2mm PCB THICKNESS.
- 3. END-TO-END STACKABLE W/INTERLOCK, WITHOUT LOSS OF CENTERLINE SPACING.
- 4. WIRE SIZE RANGE: 10-30 AWG.
- 5. RECOGNIZED UNDER THE COMPONENT PROGRAM OF UNDERWRITERS LABORATORY INC. FILE No. E60677.
- 6. IMQ CERTIFICATE WITH SURVIELANCE IN CONFORMITY WITH EN 60998.
- 7. NOT CUMULATIVE TOLERANCE.
- 8. PARTS LARGER THAN 3 POSITION ARE MADE FROM INTERLOCKING 2 OR 3 POSITION PARTS TOGETHER.
- 9. PRELIMINARY PART NUMBER



RECOMMENDED PC BOARD LAYOUT

9	AR	796739-2 796739-3	95.20	10	1-796739-0
	2	796739-2	38.08	4	796739-4
	-	-	28.56	3	796739-3
	-	-	19.04	2	796739-2
	QTY	PART NO			
		MAKE FROM 8	L	NO OF POSN	PART NUMBER

THIS DRAWING IS A CONTROLLED DOCUMENT FOR TYCO ELECTRONICS CORPORATION. IT IS SUBJECT TO CHANGE AND THE CONTROLLING ENGINEERING ORGANIZATION SHOULD BE CONTACTED FOR THE LATEST REVISION.		DWN E. ZANOLINI 02MAR2001	Tyco Electronics Harrisburg, PA 17105-3608	
DIMENSIONS: mm		CHK E. ZANOLINI 02MAR2001	NAME TERMINAL BLOCK, PCB MOUNT SIDE WIRE ENTRY, HIGH CURRENT W/INTERLOCK, 9.52mm PITCH	
TOLERANCES UNLESS OTHERWISE SPECIFIED: 0 PLC ±0.15 1 PLC ±0.2 2 PLC ±0.2 3 PLC ± 4 PLC ± ANGLES ±2		APVD D. BIEVENOUR 02MAR2001	PRODUCT SPEC -	SIZE A2
MATERIAL 1		APPLICATION SPEC -	WEIGHT -	CAGE CODE 00779
		CUSTOMER DRAWING	SCALE 3:1	DRAWING NO 796739
			SHEET 1	REV B3