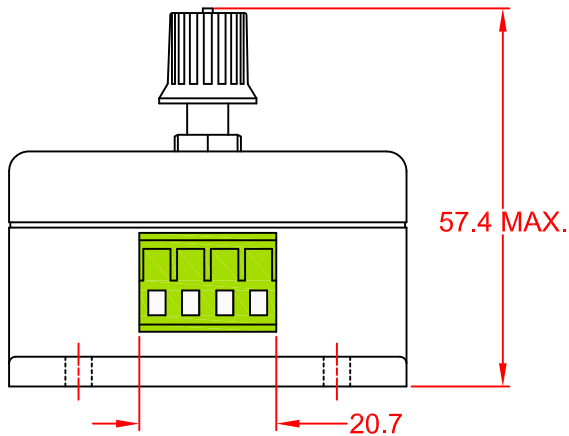
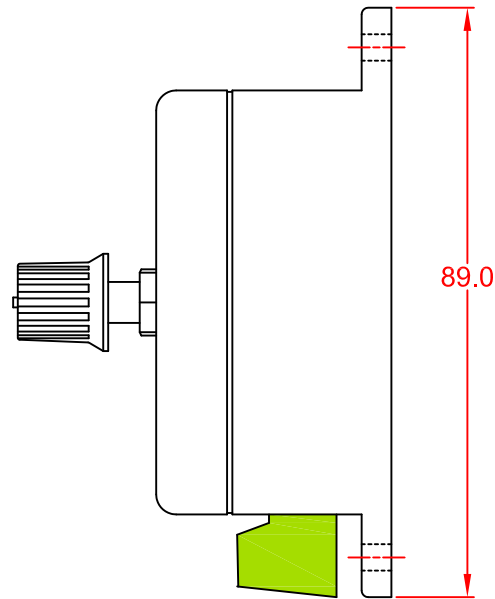
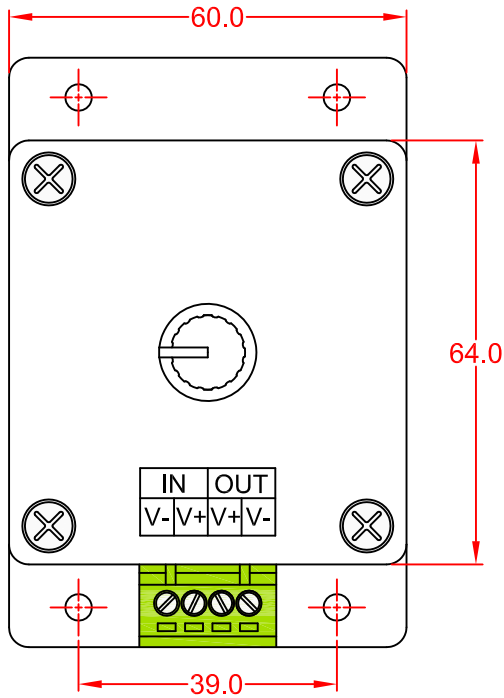
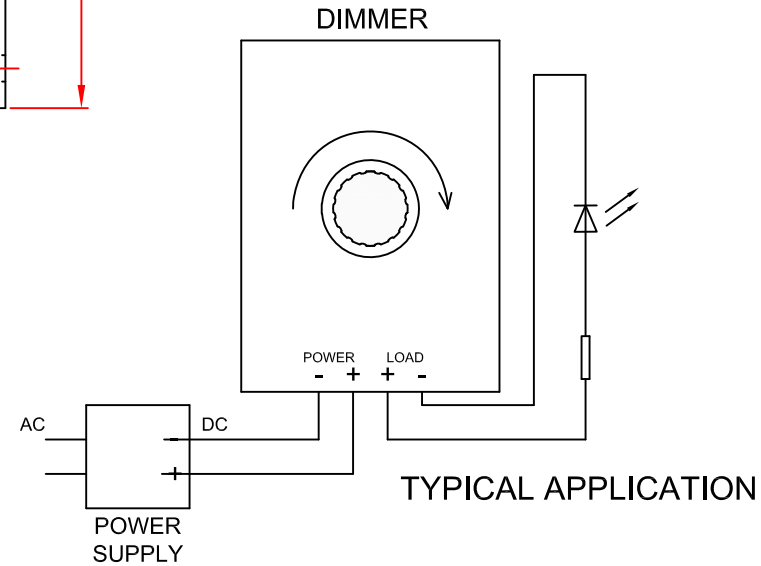


REV.	DESCRIPTION/ECO NO.	DATE
	RELEASED	6/15/10
A	ADD ELECTRICAL CHART	4/14/11
B	CHANGE 24V ON ELECT. CHART	4/26/11



Electrical Characteristics			
Supply Voltage	12	24	V DC
Max. Output Current	8	8	Amps
Max. Output Power	96	192	Watts
Operating Temperature	-20 °C to +60 °C		



JKL PART NO.: ZDM-01

METRIC		DIMENSIONS ARE IN MILLIMETERS		JKL COMPONENTS CORPORATION			
<p>THIRD ANGLE PROJECTION</p>		TOLERANCE UNLESS OTHERWISE SPECIFIED 1 PL +/- REF. 2 PL +/- REF. ANGLE +/- REF.		TITLE LED DIMMER			
DRAWN BY L. WENGSTROM	APPV'D BY L.R.	DATE 4/26/11	SIZE A	FSCM NO. 55335	DRAWING NO.	ZDM-01	
- CAD DRAWING - MANUAL REVISIONS NOT PERMITTED			SCALE NOT TO SCALE	RELEASED DATE 6/15/10	REVISION DATE 4/26/11	REV. NO. B	SHEET 1 OF 1