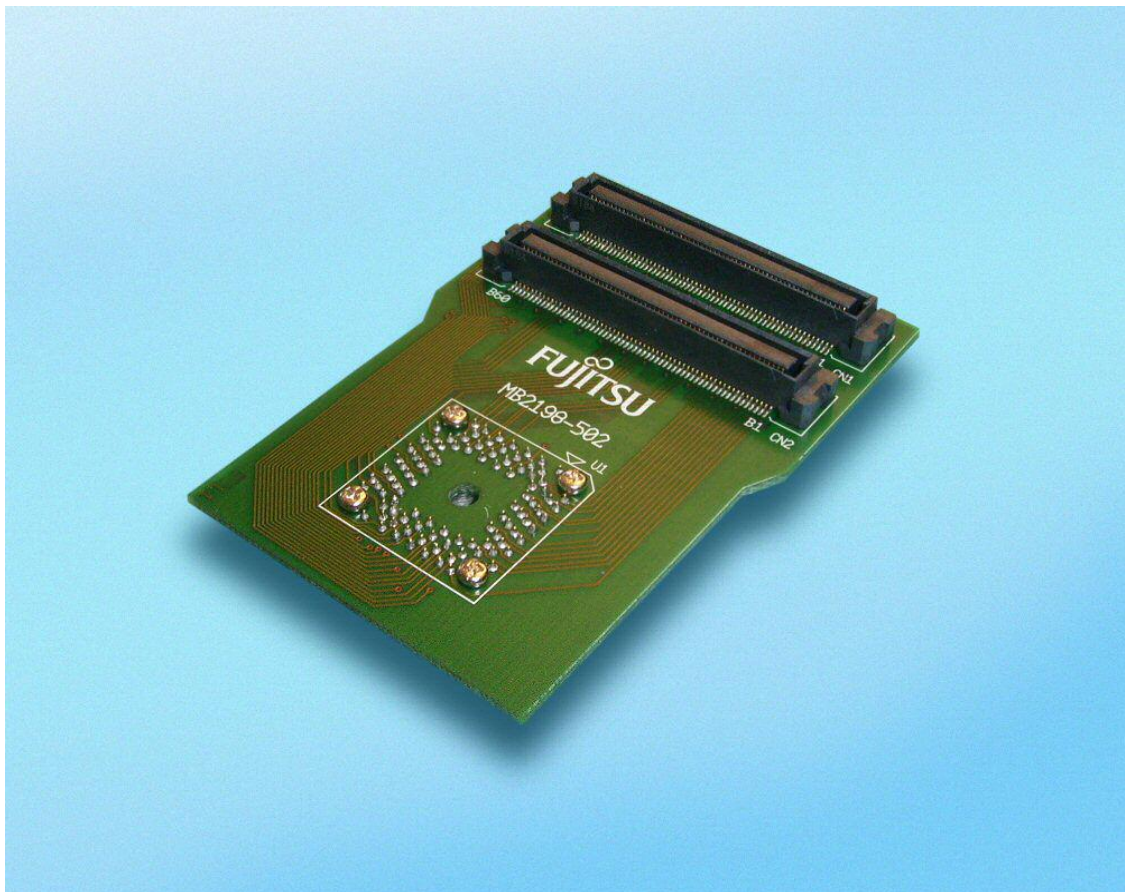


# MB96300 FAMILY HEADER BOARD MB2198-502

---

## USER GUIDE



## Revision History

Date	Issue
2006-Jul-13 <sup>th</sup>	V1.0, HLi, First Release
2007-Mar-02	V1.1 Recycling Note added
2007-Apr-11	V1.2 Hli, remove MCU before using header board info added
2008-Mar-10	V1.3, HLi, add China-RoHS regulation

This document contains 14 pages.

## Warranty and Disclaimer

To the maximum extent permitted by applicable law, Fujitsu Microelectronics Europe GmbH restricts its warranties and its liability for the **MB2198-502 Header Board and all its deliverables** (e.g. software include or header files, application examples, target boards, evaluation boards, engineering samples of IC's etc.), its performance and any consequential damages, on the use of the Product in accordance with (i) the terms of the License Agreement and the Sale and Purchase Agreement under which agreements the Product has been delivered, (ii) the technical descriptions and (iii) all accompanying written materials. In addition, to the maximum extent permitted by applicable law, Fujitsu Microelectronics Europe GmbH disclaims all warranties and liabilities for the performance of the Product and any consequential damages in cases of unauthorised decompiling and/or reverse engineering and/or disassembling. **Note, the MB2198-502 Header Board and all its deliverables are intended and must only be used in an evaluation laboratory environment.**

1. Fujitsu Microelectronics Europe GmbH warrants that the Product will perform substantially in accordance with the accompanying written materials for a period of 90 days from the date of receipt by the customer. Concerning the hardware components of the Product, Fujitsu Microelectronics Europe GmbH warrants that the Product will be free from defects in material and workmanship under use and service as specified in the accompanying written materials for a duration of 1 year from the date of receipt by the customer.
2. Should a Product turn out to be defect, Fujitsu Microelectronics Europe GmbH's entire liability and the customer's exclusive remedy shall be, at Fujitsu Microelectronics Europe GmbH's sole discretion, either return of the purchase price and the license fee, or replacement of the Product or parts thereof, if the Product is returned to Fujitsu Microelectronics Europe GmbH in original packing and without further defects resulting from the customer's use or the transport. However, this warranty is excluded if the defect has resulted from an accident not attributable to Fujitsu Microelectronics Europe GmbH, or abuse or misapplication attributable to the customer or any other third party not relating to Fujitsu Microelectronics Europe GmbH.
3. To the maximum extent permitted by applicable law Fujitsu Microelectronics Europe GmbH disclaims all other warranties, whether expressed or implied, in particular, but not limited to, warranties of merchantability and fitness for a particular purpose for which the Product is not designated.
4. To the maximum extent permitted by applicable law, Fujitsu Microelectronics Europe GmbH's and its supplier's liability are restricted to intention and gross negligence.

### **NO LIABILITY FOR CONSEQUENTIAL DAMAGES**

**To the maximum extent permitted by applicable law, in no event shall Fujitsu Microelectronics Europe GmbH and its suppliers be liable for any damages whatsoever (including but without limitation, consequential and/or indirect damages for personal injury, assets of substantial value, loss of profits, interruption of business operation, loss of information, or any other monetary or pecuniary loss) arising from the use of the Product.**

Should one of the above stipulations be or become invalid and/or unenforceable, the remaining stipulations shall stay in full effect

## 0 Contents

<b>REVISION HISTORY .....</b>	<b>2</b>
<b>WARRANTY AND DISCLAIMER .....</b>	<b>3</b>
<b>0 CONTENTS.....</b>	<b>4</b>
<b>1 OVERVIEW.....</b>	<b>5</b>
Abstract.....	5
<b>2 INSTALLATION .....</b>	<b>6</b>
<b>3 DIMENSIONS.....</b>	<b>8</b>
3.1 MB2198-502.....	8
3.2 YQ-SOCKET100SND.....	9
3.3 YQ-PACK100SD .....	9
3.4 QFP-EXTENDER-100SD (not included).....	10
<b>4 INFORMATION IN THE WWW.....</b>	<b>11</b>
<b>5 CHINA-ROHS REGULATION .....</b>	<b>12</b>
<b>6 RECYCLING .....</b>	<b>14</b>

# 1 Overview

## **Abstract**

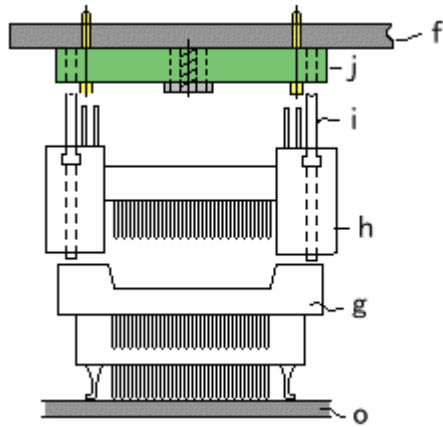
The MB2198-502 header board was built for the FPT-100P-M20 (LQFP) package to connect the MB2198-500 with the target-system.

Related documents such as MB96300 Series Hardware Manual are available and should always be use in addition to this manual.

## 2 Installation

- Remove carefully the board from the shipping carton.
- Check first if there are any damages.
- Check the contents of the box.
  - 1x MB2198-502
  - 1x YQ-PACK100SD
  - 1x NQ-PACK100SD-ND
  - 1x HQ-PACK100SD
  - 1x User guide 960005-10
- Press **carefully and smooth** the YQ-PACK100SD or the QFP-EXTENDER-100SD in the YQ-SOCKET100SND
  
- **Remove MCU out of the socket (NQ-PACK) before using the header board**

**The connection between YQ-SOCKET100SND and YQ-PACK100SD or QFP-EXTENDER-100SD is only once pluggable, since otherwise the pins can break off.**



h: YQ-PACK100SD

g: NQ-PACK100SD-ND

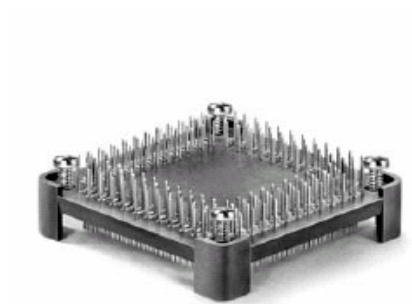
o: Target Board

f: MB2198-502

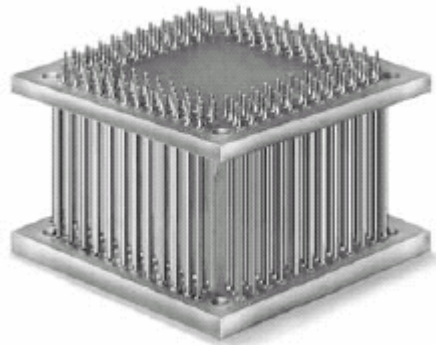
j: YQ-SOCKET100SND

i: YQ-Guide

### YQ-PACK100SD

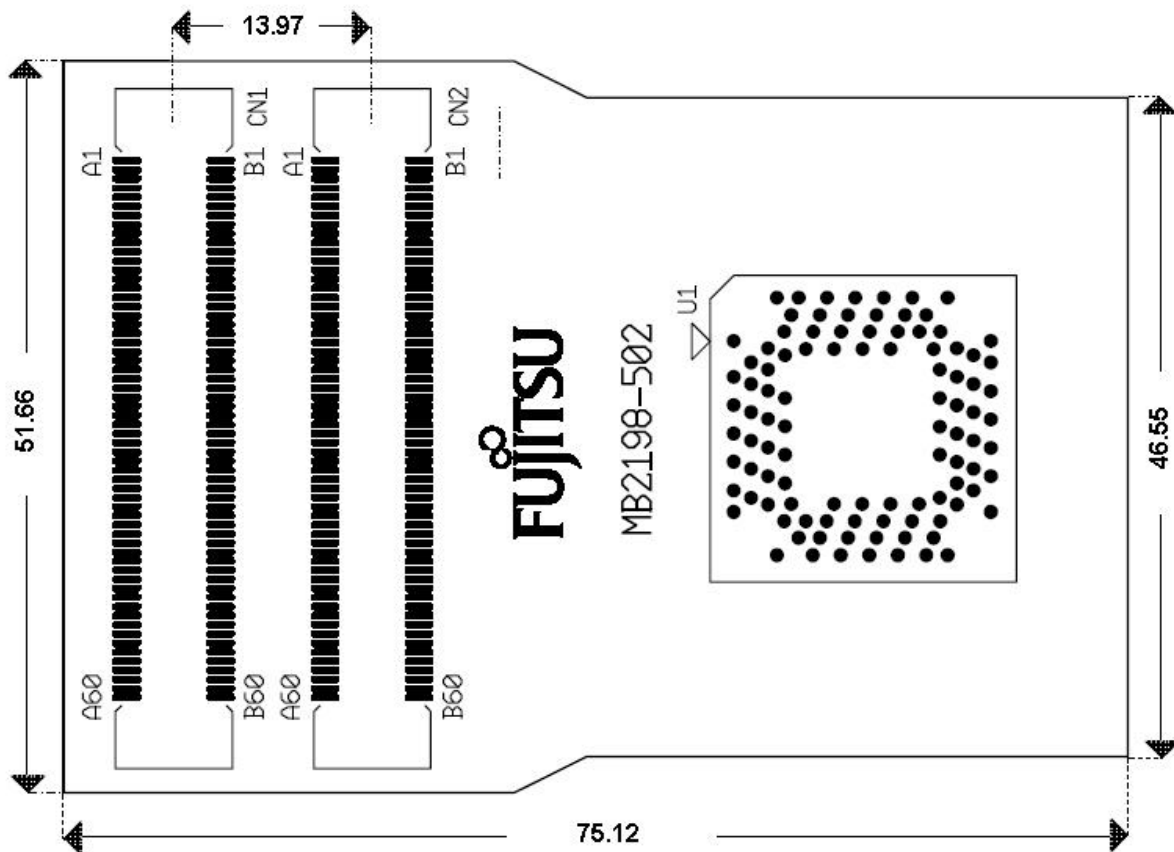


### QFP-EXTENDER-100SD



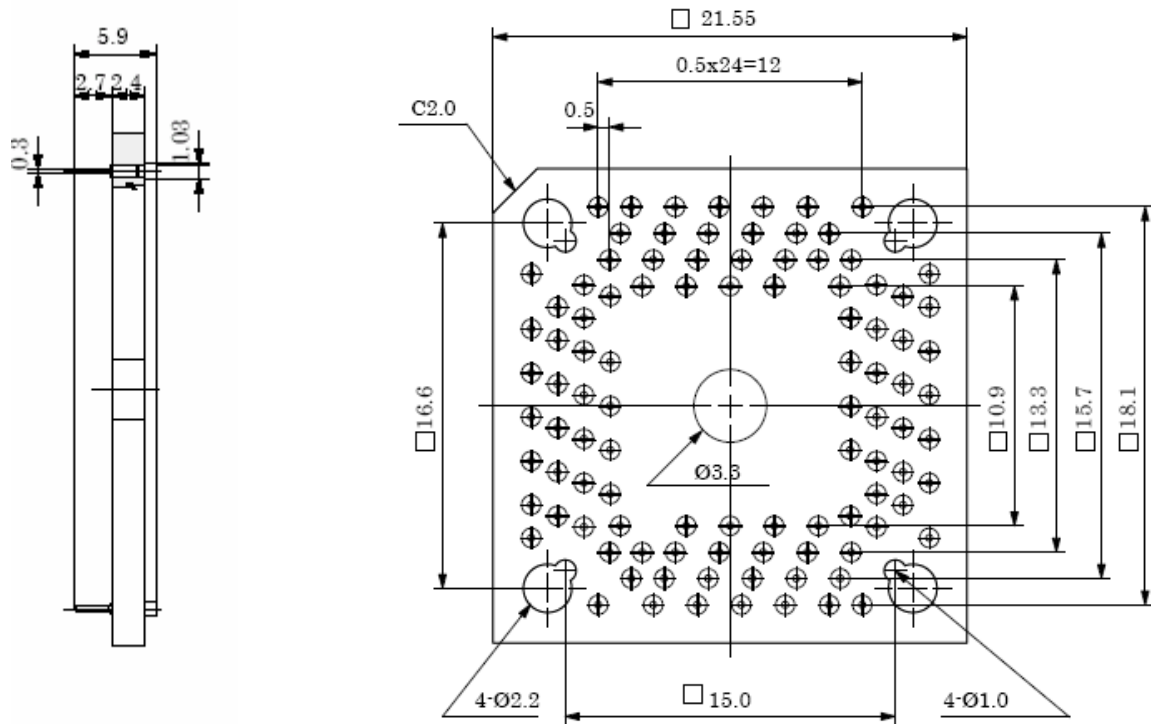
### 3 Dimensions

#### 3.1 MB2198-502

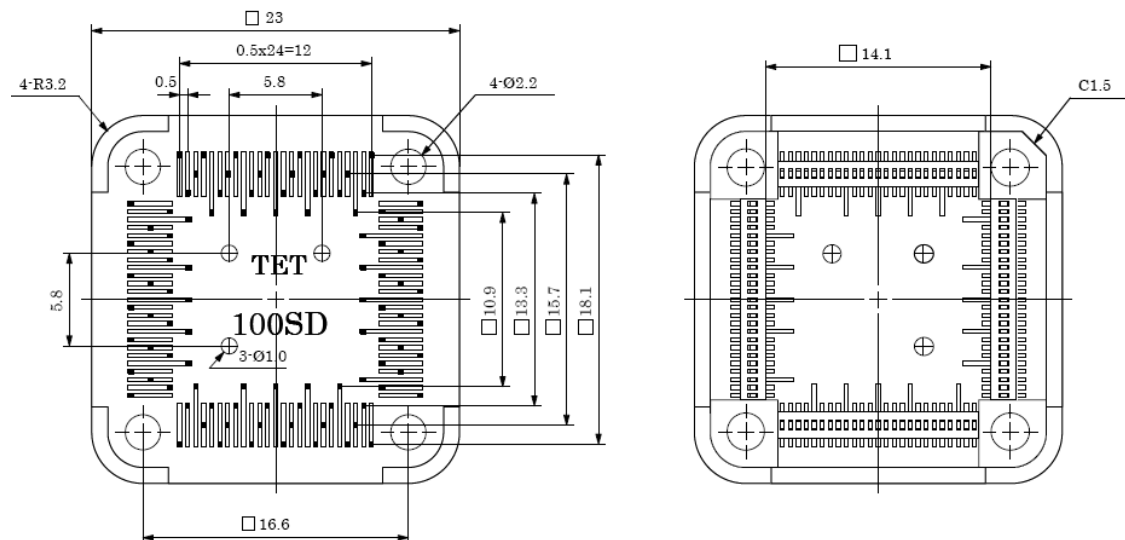


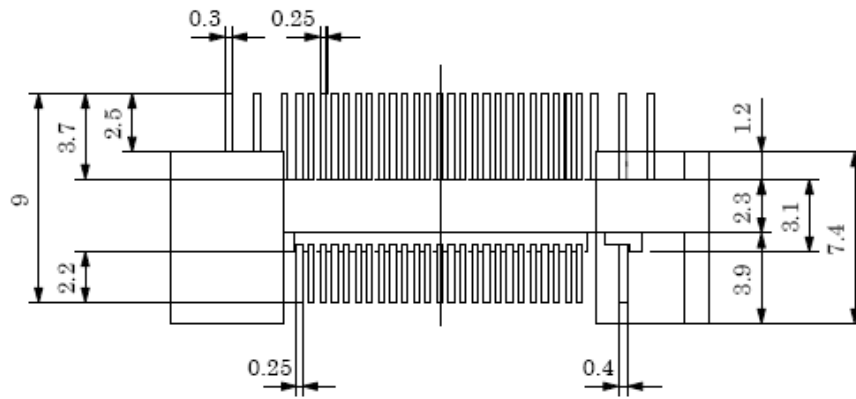


### 3.2 YQ-SOCKET100SND

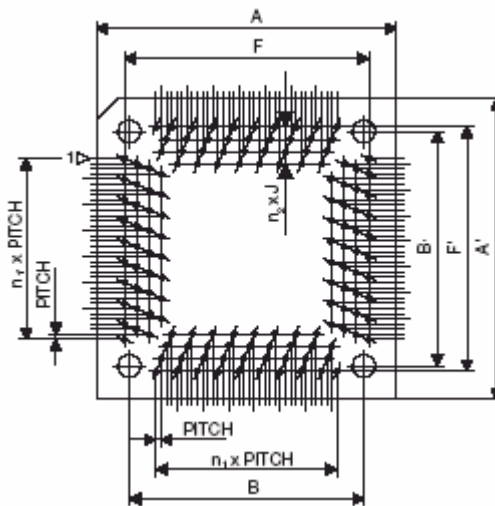


### 3.3 YQ-PACK100SD



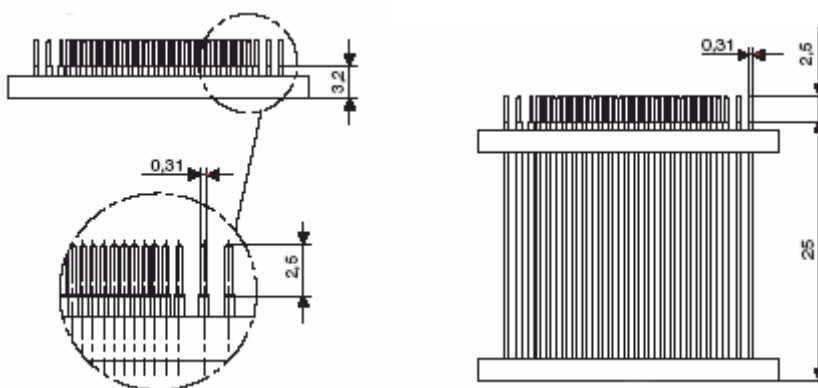


### 3.4 QFP-EXTENDER-100SD (not included)



A, A': 21.5mm  
B, B': 15.00mm  
F: 18.10mm

J: 1.2mm  
n2': 3mm  
n1, n1': 24mm



## 4 Information in the WWW

Information about FUJITSU MICROELECTRONICS Products can be found on the following Internet pages:

Microcontrollers (8-, 16- and 32bit), Graphics Controllers  
Datasheets and Hardware Manuals, Support Tools (Hard- and Software)

<http://www.fme.gsdc.de/gsd.htm>

For more information about FUJITSU MICROELECTRONICS

<http://www.emea.fujitsu.com/microelectronics>

## 5 China-RoHS regulation

### Evaluation Board 评估板

### Emulation Board 仿真板

根据SJ/T11364-

2006《电子信息产品污染控制标识要求》特提供如下有关污染控制方面的信息。

The following product pollution control information is provided according to SJ/T11364-2006 *Marking for Control of Pollution caused by Electronic Information Products*.

#### 1. 电子信息产品污染控制标志说明 Explanation of Pollution Control Label



该标志表明本产品含有超过中国标准SJ/T11363-

2006《电子信息产品中有毒有害物质的限量要求》中限量的有毒有害物质。标志中的数字为本产品的环保使用期，表明本产品在正常使用的条件下，有毒有害物质不会发生外泄或突变，用户使用本产品不会对环境造成严重污染或对其人身、财产造成严重损害的期限，单位为年。

为保证所声明的环保使用期限，应按产品手册中所规定的环境条件和方法进行正常使用，并严格遵守产品维修手册中规定的定期维修和保养要求。

产品中的消耗件和某些零部件可能有其单独的环保使用期限标志，并且其环保使用期限有可能比整个产品本身的环保使用期限短。应到期按产品维修程序更换那些消耗件和零部件，以保证所声明的整个产品的环保使用期限。

本产品在使用寿命结束时不可作为普通生活垃圾处理，应被单独收集妥善处理。

请注意：环保使用期限50年的指定不是与产品的耐久力，使用期限或任何担保要求等同的。

This symbol to be added to all EIO sold to China, indicates the product contains hazardous materials in excess of the limits established by the Chinese standard SJ/T11363-2006 *Requirements for Concentration Limits for Certain Hazardous Substances in Electronic Information Products*. The number in the symbol is the Environment-friendly Use Period (EFUP), which indicates the period, starting from the manufacturing date, during which the toxic or hazardous substances or elements contained in electronic information products will not leak or mutate under normal operating conditions so that the use of such electronic information products will not result in any severe environmental pollution, any bodily injury or damage to any assets, the unit of the period is "Year".

In order to maintain the declared EFUP, the product shall be operated normally according to the instructions and environmental conditions as defined in the product manual, and periodic

maintenance schedules specified in Product Maintenance Procedures shall be followed strictly.

Consumables or certain parts may have their own label with an EFUP value less than the product. Periodic replacement of those consumables or parts to maintain the declared EFUP shall be done in accordance with the Product Maintenance Procedures.

This product must not be disposed of as unsorted municipal waste, and must be collected separately and handled properly after decommissioning.

Please note: The designation of 10 years EFUP is not to be equated with the durability, use-duration or any warranty-claims of the product.

产品中有毒有害物质或元素的名称及含量

Table of hazardous substances name and concentration

部件名称 MB2198-502	有毒有害物质或元素 Hazardous substances name					
	铅 (Pb)	汞 (Hg)	镉 (Cd)	六价铬 (Cr (VI))	多溴联苯 (PBB)	多溴二苯醚 (PBDE)
	x	o	o	o	o	o

**O:** 表示该有毒有害物质在该部件所有均质材料中的含量均在SJ/T11363-2006 标准规定的限量要求以下

**X:** 表示该有毒有害物质至少在该部件的某一均质材料中的含量超出SJ/T11363-2006 标准规定的限量要求

- 此表所列数据为发布时所能获得的最佳信息
- 由于缺少经济上或技术上合理可行的替代物质或方案，此医疗设备运用以上一些有毒有害物质来实现设备的预期临床功能，或给人员或环境提供更好的保护效果。

O: Indicates that this toxic or hazardous substance contained in all of the homogeneous materials for this part is below the limit requirement in SJ/T11363-2006.

X: Indicates that this toxic or hazardous substance contained in at least one of the homogeneous materials used for this part is above the limit requirement in SJ/T11363-2006.

- Data listed in the table represents best information available at the time of publication

## 6 Recycling

### **Gültig für EU-Länder:**

Gemäß der Europäischen WEEE-Richtlinie und deren Umsetzung in landesspezifische Gesetze nehmen wir dieses Gerät wieder zurück.

Zur Entsorgung schicken Sie das Gerät bitte an die folgende Adresse:

Fujitsu Microelectronics Europe GmbH  
Warehouse/Disposal  
Monzastraße 4a  
63225 Langen

### **Valid for European Union Countries:**

According to the European WEEE-Directive and its implementation into national laws we take this device back.

For disposal please send the device to the following address:

Fujitsu Microelectronics Europe GmbH  
Warehouse/Disposal  
Monzastraße 4a  
63225 Langen