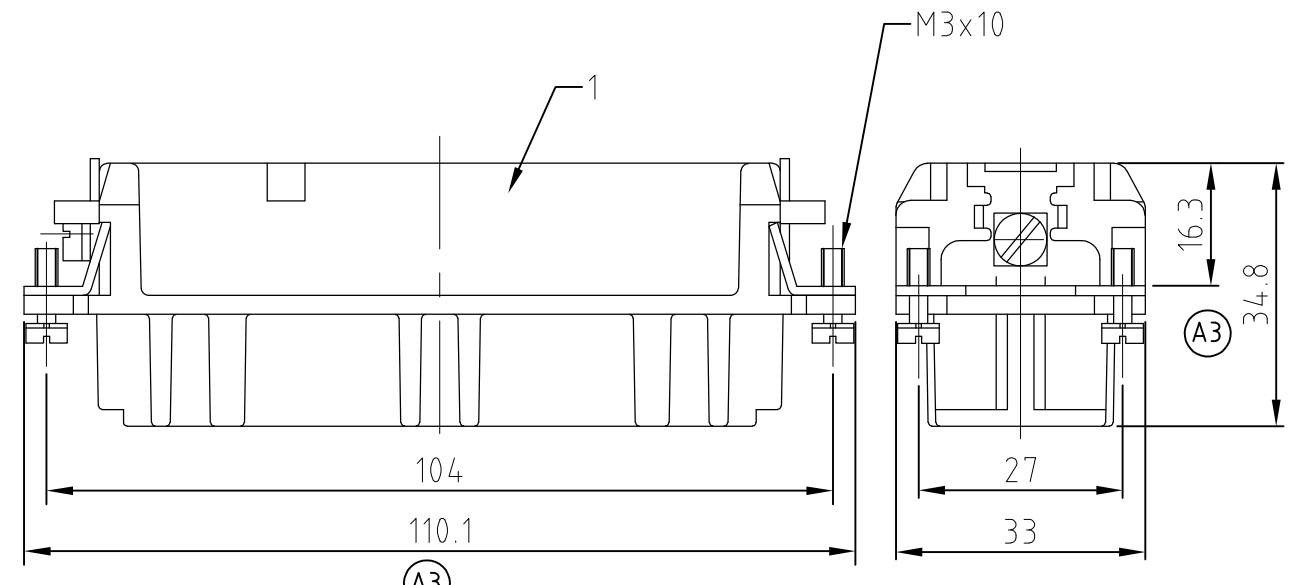
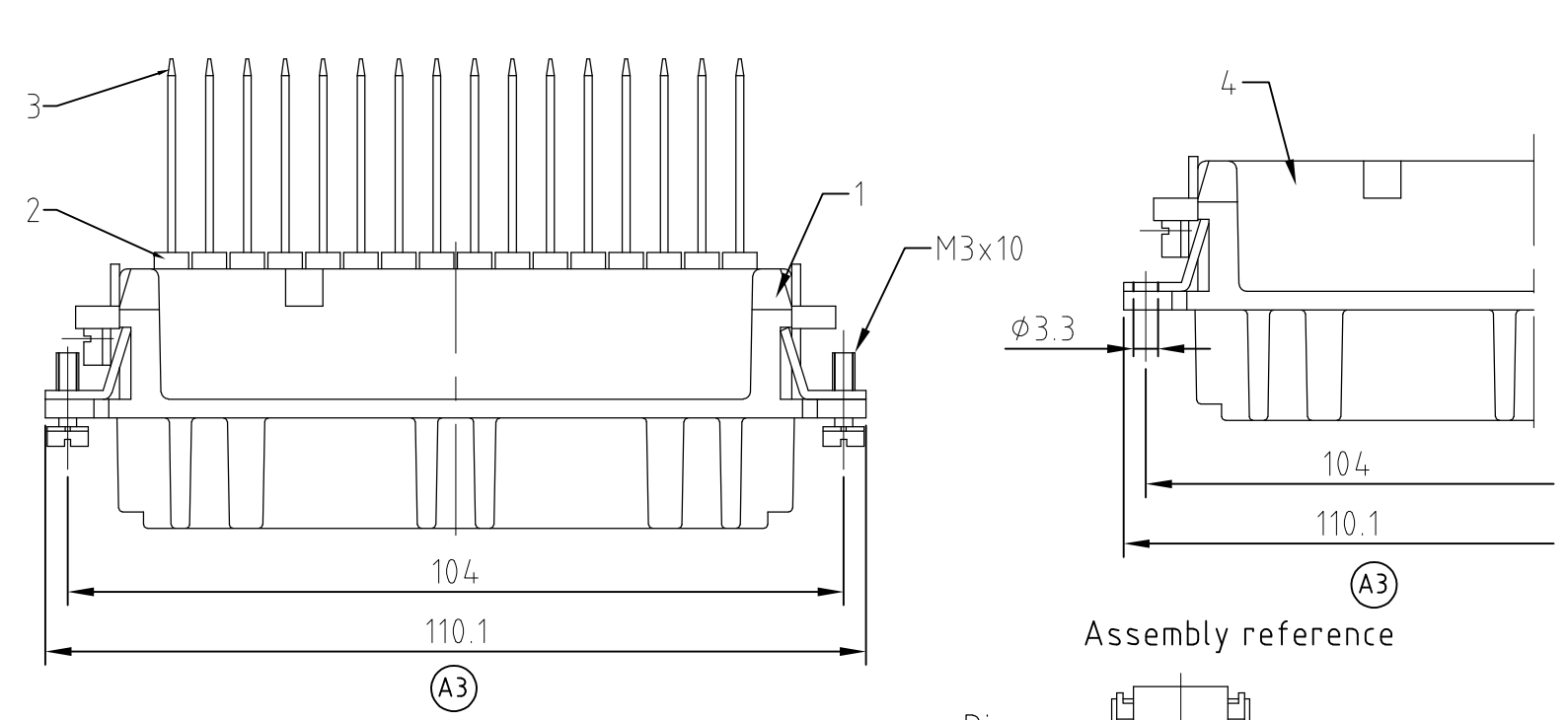


THIS DRAWING IS UNPUBLISHED. RELEASED FOR PUBLICATION
 © COPYRIGHT BY TYCO ELECTRONICS CORPORATION. ALL INTERNATIONAL RIGHTS RESERVED.

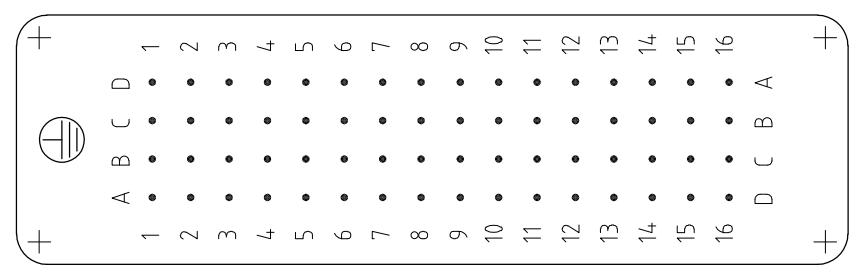
LOC	DIST	REVISIONS			
P	LTR	DESCRIPTION	DATE	DWN	APVD
A1	—				
	A3	Dimension changed EGD0-1121-04	16.11.04	SM	SM
	A4	REVISED PER ECO-11-002591	15FEB11	HMR	MM



Kontaktanordnung Ansicht Anschlußseite
Contact arrangement view from termination side



Assembly reference

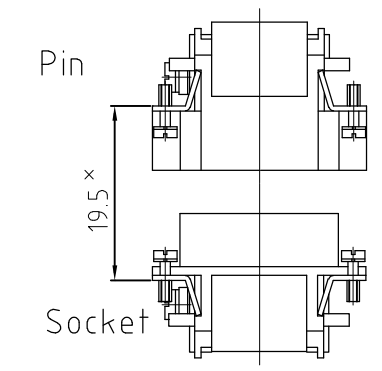


Notes,

- 1 Material: insert, PC
UL-File Nr.: E101788(R)
- 2 use contact-type: HD.M

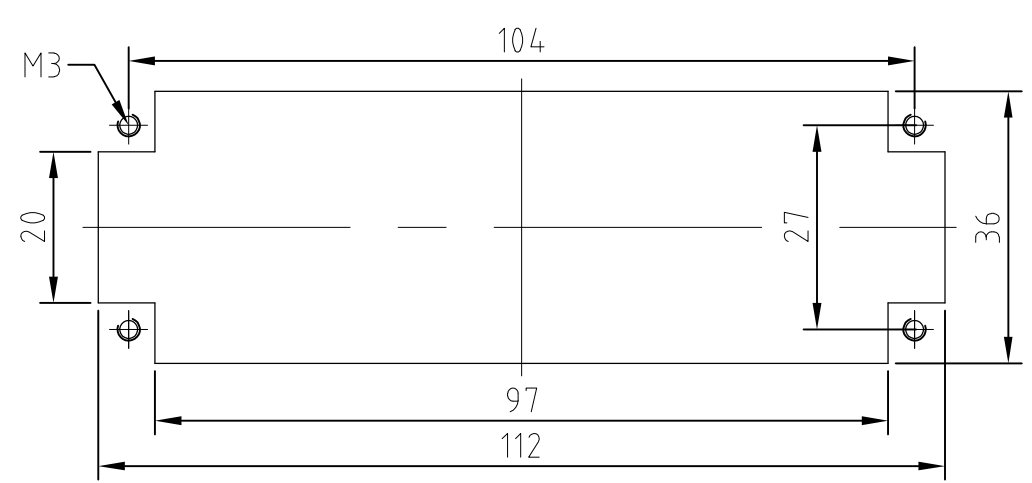
Bemerkungen,

- 1 Material: Einsatz: PC
UL-File Nr.: E101788(R)
- 2 Kontakte: Serie HD.M



x Distance for a safe contact-max: 21 mm

Montageausschnitt bei Verwendung ohne Gehäuse
Panel cut-out for contact insert when used without housing



QTY	DESCRIPTION / BENENNUNG	MATERIAL	COLOR / FARBE	ITEM NO. POS.	REMARKS / BEMERKUNGEN
1	Buchseneinsatz HD/socket insert	1	gray	4	without mounting screws / with 4xφ3.3
64	Kontaktbuchse mit Wickelpfosten/ con. socket wit wire wrap terminal			3	
8	Deckelplatte/cover tab	1	gray	2	
1	Buchseneinsatz HD/socket insert	1	gray	1	
0-1	4-1	2-3			

HD.64.Bu.C/OBS HD-WW.64.Bu.C.CW HD.64.Bu.C	ORDERING TEXT / BESTELLTEXT	THIS DRAWING IS A CONTROLLED DOCUMENT.		DWN 18.06.1997 Schweiger	Tyco Electronics Corporation Harrisburg, Pa 17105-3608
		DIMENSIONS: mm	TOLERANCES UNLESS OTHERWISE SPECIFIED: GENERAL TOLERANCES	CHK 02.05.98 Kramer	
			n. ISO 8015 n. ISO 2768 - mH - E n. DIN 16901 - 140	APVD —	
		MATERIAL	FINISH	PRODUCT SPEC 108-74002 APPLICATION SPEC 114-74000 WEIGHT 87g	
		CUSTOMER DRAWING		SIZE A3	CAGE CODE 00779
				DRAWING NO. C-1103033	RESTRICTED TO
				SCALE 1:1	SHEET 1 OF 1
				REV A4	